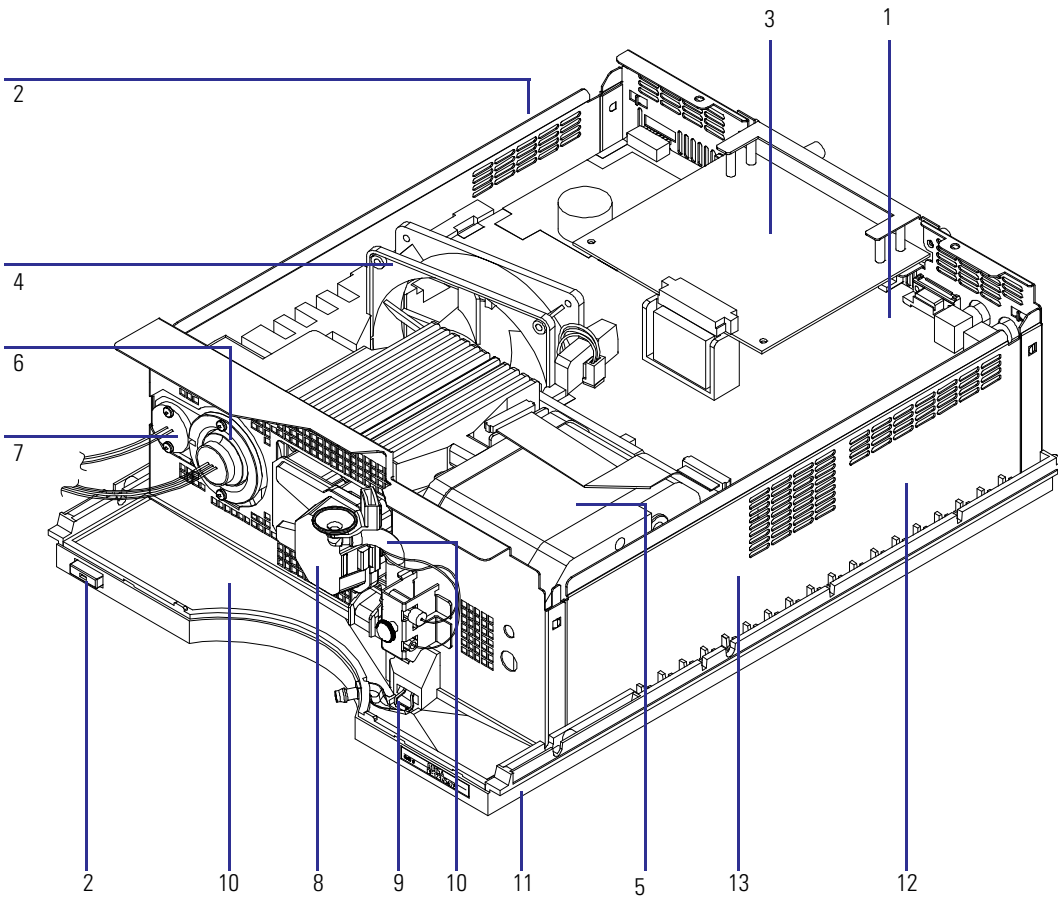

Overview of Main Assemblies

Figure 36 Overview of Main Assemblies



Identifying Parts and Materials

Table 9 **Main Assemblies**

Item	Description	HP Part Number
1	DAD main board DAM (exchange assembly)	G1315-69520
	Hexagonal nut for HP-IB connector	0380-0643
	Hexagonal nut for RS-232C connector	1251-7788
	Nut for analog connector	2940-0256
	Washer for analog connector	2190-0699
	Cable CAN to HP 1100 Series modules	5181-1516
2	Power supply , for power and status light parts, see page 182	0950-2528
3	Interface board BCD (BCD/external contacts)	G1351-68701
	Fuse for BCD board, 250 mA (total of 4 are on the board)	2110-0004
4	Fan assembly	3160-1016
5	Optical unit (exchange assembly), for additional optical unit parts, see page 166	G1315-69002
6	Deuterium lamp	2140-0590
7	Tungsten lamp	G1103-60001
8	For details see page 168 for standard flow cell, page 170 for semi-micro flow cell, or page 172 for high-pressure micro flow cell	
9	Leak sensor assembly	5061-3356
10	Leak handling parts, see page 183	
11	Front cover and plastic parts (housing), see page 180	
12	Sheet metal parts, see page 179	
13	Foam parts, see page 181	