

**Standard Flow Cell****Table 13****Standard Flow Cell**

<b>Item</b>	<b>Description</b>	<b>HP Part Number</b>
	Standard flow cell assembly, 10 mm, 14 $\mu$ l, 40 bar	G1314-60080
	Capillary column – detector PEEK 600 mm lg, 0.17 i.d.	5062-8522
1	Cell screw	79853-27200
	Cell kit STD, consists of: two windows, two gaskets #1 and two gaskets #2.	G1314-65050
2	Conical spring kit, quantity=10	79853-29100
3	Ring SST kit, quantity=2	79853-22500
4	Gasket #1, PTFE, quantity=10	79853-68743
5	Window quartz kit, quantity=2	79853-68742
6	Gasket #2, PTFE, quantity=10	G1314-65051
7	Cell cover assembly	G1314-65023 see note below

**NOTE**

Early flow cells did not have a cell cover. In case of stray light problems, order cell cover assembly which includes cell plate, one each of standard, micro and high pressure cell label and modification procedure.

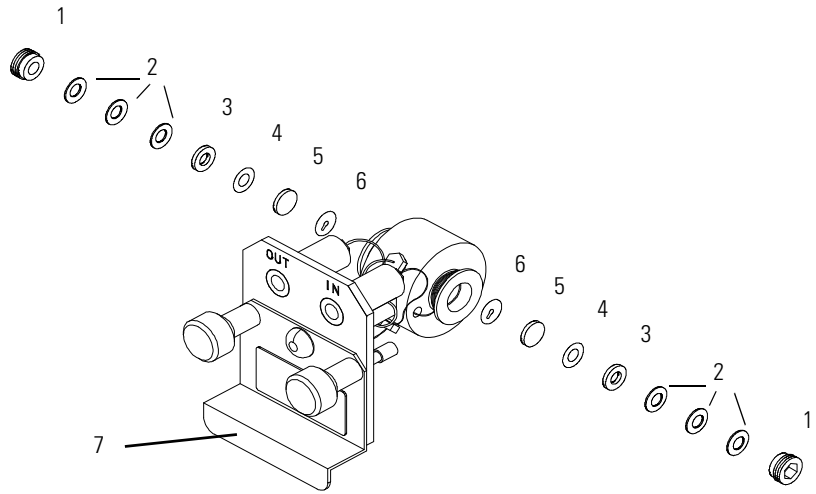
Figure 35 on page 149 shows the way of adding the cell cover assembly to the flow cells.

**Standard Flow Cell**

**Figure 34**

**Standard Flow Cell**

- 1 - Cell Screw
- 2 - Conical Springs
- 3 - Ring SST
- 4 - Gasket #1
- 5 - Window Quartz
- 6 - Gasket #2
- 7 - Cell cover assembly



**Figure 35**

**Modification of Flow Cells with Cell Cover Assembly**

