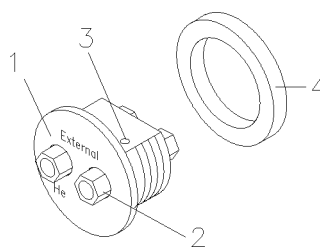


## Channel C2/D External Connections

### Channel C2 (Series I only)

**Table 23-3. Channel C2 Parts**

Item	Description	Part Number
1	Union holder	79835-22330
2	ZDV Union	0100-0900
3	Setscrew	0515-0761
4	Nut	01040-25701



**Figure 23-2. Channel C2 Parts (Series I only)**

### Channel C2/D (Series II only)

**Table 23-4. Channel C2/D Parts**

Item	Description	Part Number
1	Tube Screw	01090-22404
2	Union	79846-23203
3	Set Screw	0515-0761
4	Nut	01040-25701
5	Waste Chute	01090-00101
6	Union Holder	01090-22313
7	Helium Tubing	5021-7117
8	Inlet Capillary	79835-87632
	Solvent Cabinet	01090-44410
	Bottle Tub	01090-44501
	Bottle Head Assy <sup>1</sup>	01090-60006
	Washer	5041-2152
	Gasket	0905-0821

<sup>1</sup> Includes solvent filter, He frit and all tubings.

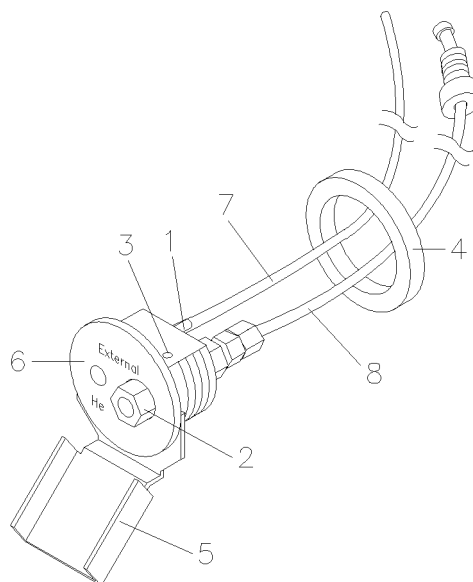


Figure 23-3. Channel C2/D Parts (Series II only)