

Item	Description	HP Part No.
1	Heater/Sensor Assembly	05890-61140
2	· Heater, 70 W	19231-60620
3	· Contact	1251-1679
4	· PRT Assembly	19231-60660
5	· Contact	1251-5963
6	· Flexible Sleeving (ordered by the inch)	0890-0737
7	Shell Weldment	19251-80570
8	Glass Cloth	9300-0713
9	Insulation	0340-0686
10	Heat Sink	18740-20940
11	Shaped Insulation	19251-00020
12	Splitter Tube	19251-80525
13	Front Ferrule, 1/8-inch Brass	0100-0032
14	Back Ferrule, 1/8-inch Brass	0100-0036
15	Tubing Nut, 1/8-inch Brass	0100-0058
16	Retaining Nut	19251-20620
17	Gold Plated Seal	18740-20885
	Stainless Steel Seal	18740-20880
18	Flat Washer, Stainless Steel (Package of 12)	2190-0701 5061-5869
19	Reducing Nut	18740-20800
20	Lower Insulation	19243-00060
20A	Insulation	19243-00065
21	Lower Insulation Cover	19243-00070
22	Insert Assembly	19251-60575
23	Septa Retainer (Standard)	18740-60835
	Retainer Nut for Headspace	18740-60830
24	Insulation	19251-00120
25	O-ring— High Temp. (Package of 12)	5180-4182
	Graphite Seal for Split Liner (Pkg of 12)	5180-4168
	Graphite Seal for Splitless Liner (Pkg of 12)	5180-4173
26	Liner— Split/Splitless (4 mm id)	19251-60540
	Split-Packed (4 mm id)	18740-60840
	Split-Unpacked (4 mm id)	18740-80190
	Splitless (2 ± 0.2 mm id)	18740-80220
	Direct (1.5 ± 0.2 mm id)	18740-80200
	Split/Splitless with Glass Wool (4 mm id/deactivated)	5062-3587
	Splitless Tapered One End (4 mm id/deact.)	5181-3316
	Splitless Double Tapered (4 mm id/deact.)	5181-3315
27	Septa, Low Bleed (25/pk)	5080-8894
28	Column Seal/Ferrule (See Consumables Catalog)	
29	Column Nut	5181-8830
	NOT SHOWN	
	Split Vent Trap (Recommended)	19251C

Figure 2. EPC Split/Splitless, Split-Only Capillary Inlet (Sheet 1 of 2).

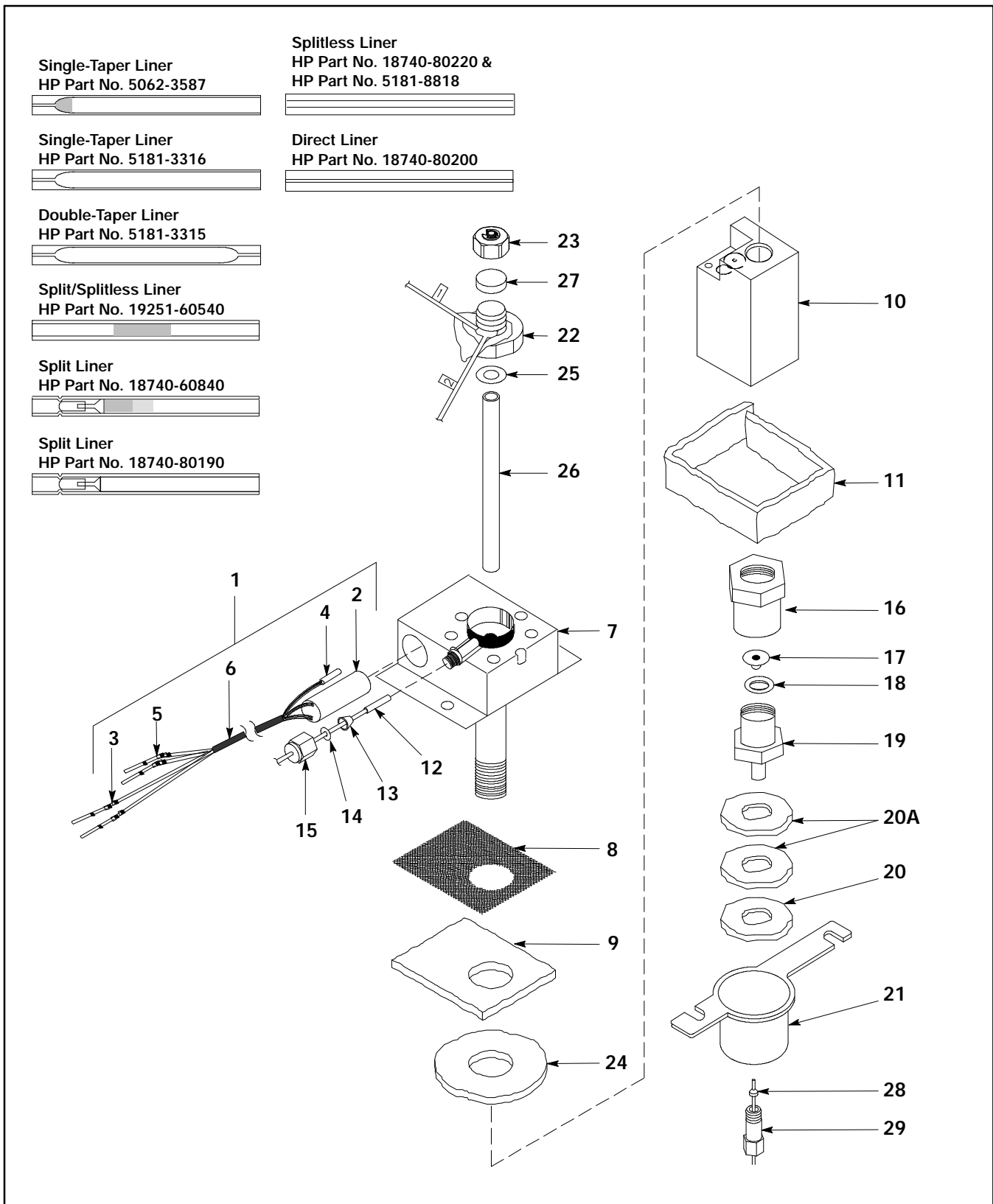


Figure 2. EPC Split/Splitless, Split-Only Capillary Inlet (Sheet 2 of 2).