

Needle Arm Unit

Table 32-3. Needle Arm Unit Parts

Item	Description	Part Number
1	Swivel Arm	79846-45001
2	Needle 25 μ l	79846-87201
	Needle 250 μ l	79846-87202
3	Swivel Arm Bar	79846-23702
4	Pin	79846-26102
5	Bottle in Position Sensor	79846-66505
	Seat Capillary .17 110mm	01090-87303
6	ZDV Union	0100-0900
7	Loop Capillary 25 μ l	79846-87604
	Loop Capillary 125 μ l	79846-87612
	Loop Capillary 250 μ l	79846-87613
8	Screw M4	0515-1669
9	Screw M3 - 6lg	0515-0886
10	Needle Arm Assembly ¹	79846-67103
11	Screw	0515-0175
12	Spacer	79846-44702
13	Spring	1460-1993
14	Nut	0535-0112
15	Bracket	79846-01205
16	Screw M3 - 6lg	0515-0886
17	Screw	0515-0773
18	Screw knurled	5021-1828
19	Bar	79846-25001
20	Screw M3 - 6lg	0515-0886
21	Needle Arm Sensor Board	79846-66503
22	Screw knurled	5021-1828
23	Air Cylinder	0101-0555
24	Socket Holder Assembly	79846-65201
25	Screw	0515-1110
26	Seat Capillary .12 110mm	79846-87605
27	Seat Holder Assembly	79846-67102
28	Seat	79846-67101

¹ Includes items 11, 12, 23.

Automatic Injector and Column Switching Valve

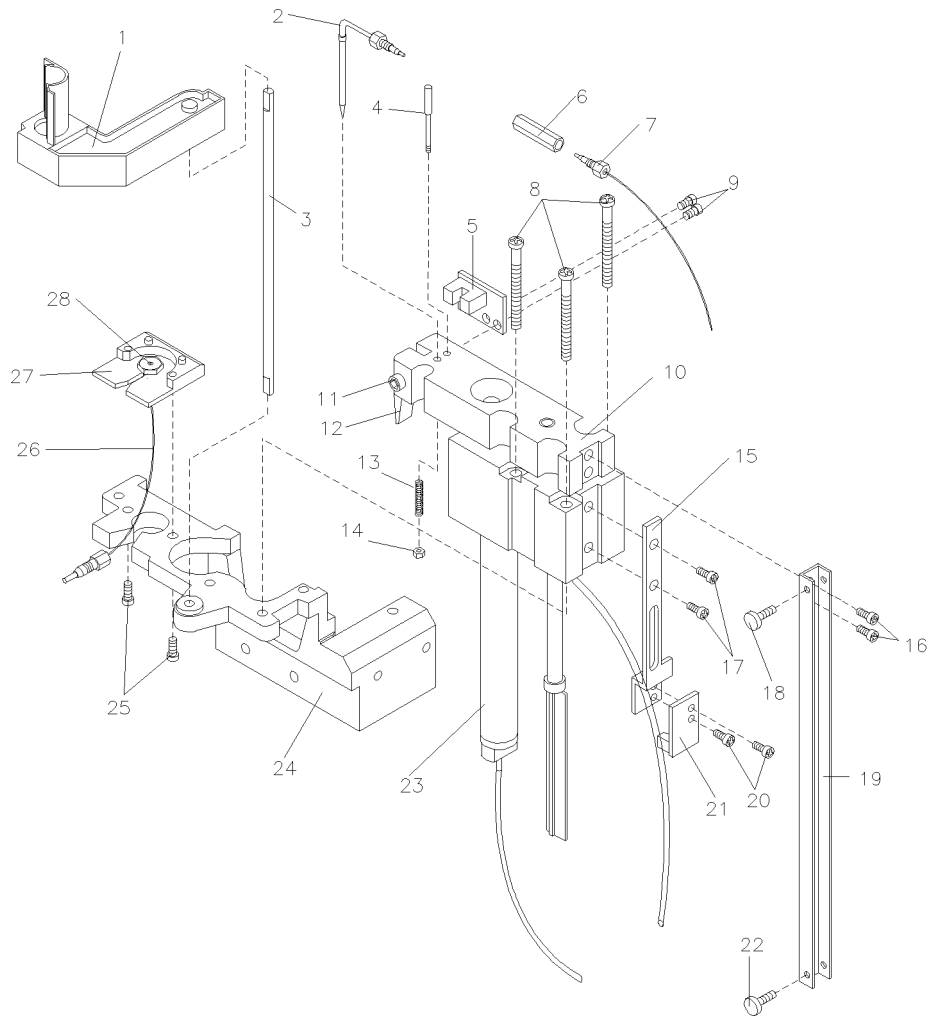


Figure 32-4. Needle Arm Unit