

Microcell Electron Capture Detector (μ ECD)

Description	HP Part No.	Qty
1. Micro ECD Top Cover	G2397-00010	1
2. ECD Signal Wire Assembly	19233-60635	1
3. Anode/Ferrule/Nut Assembly (specific license required)	G2397-60540	1
4. ECD Thermal Cover	G1533-00030	1
5. Thermal Cover Clip	19233-00095	1
6. EDC Top Insulation	G1533-00020	1
7. Screw, M4 x 10 mm, Torx T20	0515-2495	3
8. Clamp, Interconnect	19231-00040	1
9. Captive Screw, Detector Pallet, M4 x 20 mm, T20, Torx	1390-1024	4
10. FID Pallet	G1531-40020	1
11. Screw, M4 x 45 mm, Torx T20	0515-2484	2
12. Microcell Electron Capture Detector Assembly:		1
– General Licensed ECD, New	G2397-65500	–
– General Licensed ECD, Rebuilt	G2397-69900	–
13. ECD Block Insulation	G1533-00010	1
14. ECD Seal Insulation	G1533-00080	1
15. Screw, M4 x 12 mm, Torx T20	0515-2496	1
16. ECD Make-up Gas Adapter Weldment Assembly:	G2397-80520	1
– Gigabore Liner	G2397-20540	–
– End Cap	19233-20755	–
17. Ferrules, Capillary Columns:		1
– No Hole (plug), Graphitized-Vespel	5181-7458	–
– Graphite 0.5 mm id (10/pkg)	5080-8853	–
– Graphite 1.0 mm id (10/pkg)	5080-8773	–
18. Capillary Column Nut (2/pkg)	5181-8830	1
19. Screw, M4 x 12 mm, Torx T20, Chromeplate	0515-2711	2
20. ECD Interconnect Assembly	G1533-60510	1
21. Micro ECD Signal PCB Assembly	G2397-60010	1
22. Micro ECD Interface PCB Assembly	G2397-60020	1
23. Heater/Sensor Assembly	G1533-60625	1
24. Upper Heated Block	G1533-20525	1
25. Lower Heated Block	19233-20515	1
26. ECD Mounting Plate	G1533-00050	1
NS Nutwarmer Assembly	19234-60720	1
27. Nutwarmer Insulation	19234-60715	1
28. Nutwarmer Cup Assembly	19234-60700	1
29. Tubing Tygon (30 in.)	0890-0934	1
30. Vent Elbow (if present)	19303-20590	1
31. Tubing Adapter (if present)	5020-8231	1

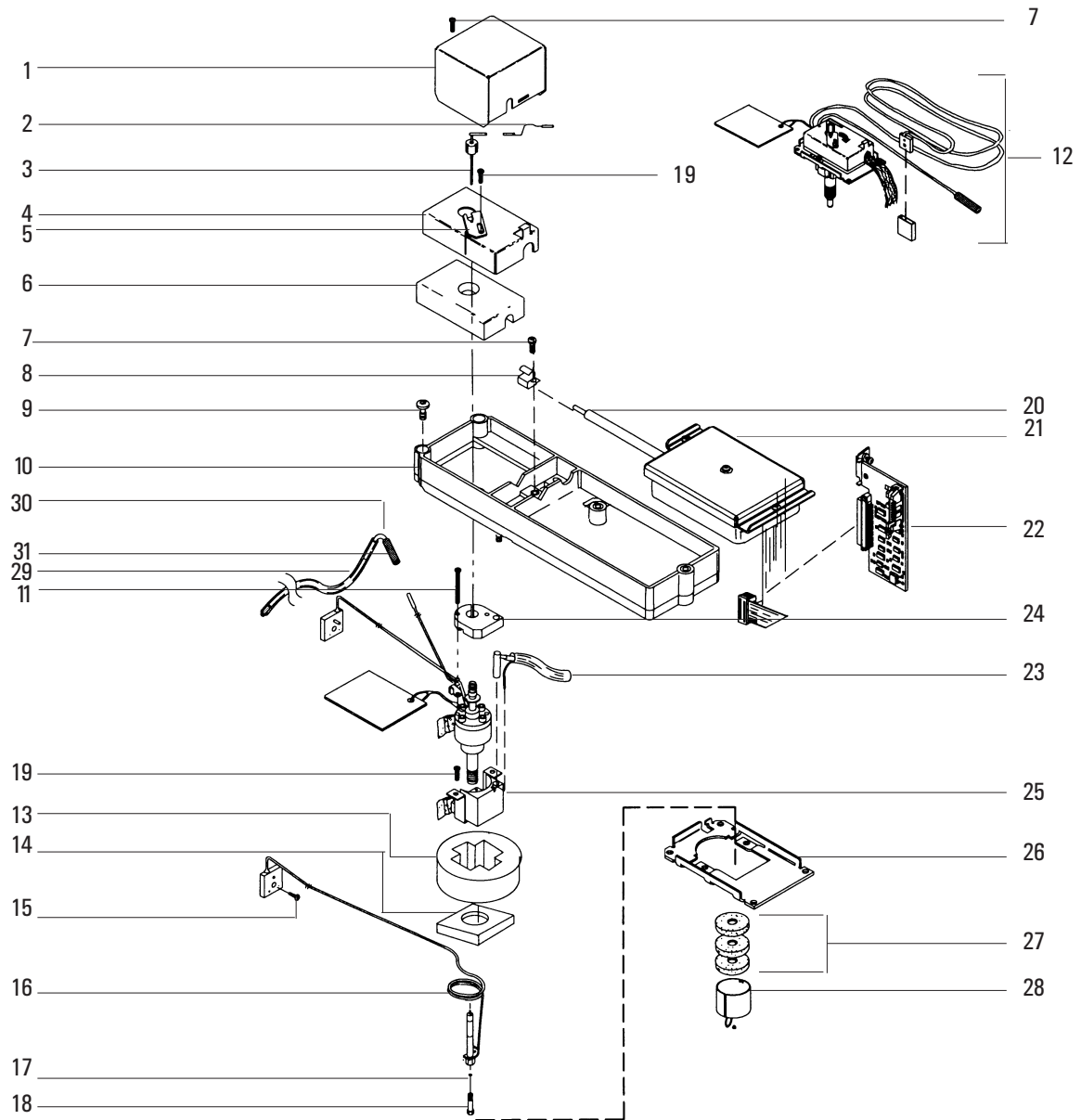


Figure 1320-9 Exploded diagram of the Electron Capture Detector.