

Installation Instructions




Interface Kit Part Number 14-5496-186

Interfacing a Tekmar™ LSC-2/4000 to a Hewlett-Packard 5890 GC with a 5971 MSD or a Hewlett-Packard MS Engine

This interface kit includes:

Quantity	Tekmar Part Number	Description
1	14-5571-000	Inverter Box
1	14-2222-000	Two Interface Cables (one part number), Inverter Box to LSC-2/4000 and Data Start
1	14-5445-086	Interface Cable, Inverter Box to an HP 5890 with a 5971 MSD or an HP MS Engine

This interface kit enables the Tekmar unit to operate automatically with your Hewlett-Packard instruments. It allows the GC to send a READY signal to the Tekmar unit, causing it to advance from DESORB READY to DESORB PREHEAT. Also, it enables the Tekmar unit to start the GC/MS upon sample injection.

	WARNING	
Electrical shock hazard inside. Unplug power cord before removing panels.		
	CAUTION	
Circuit board components can be damaged by static discharge. Avoid touching the components unless otherwise noted.		

Refer to Figure 1 on the following page for installation assistance.

Connection from the Tekmar unit to the Inverter Box

1. One of the cables has four numbered spade lugs at its end. Connect these spade lugs to the 8-position terminal strip on the rear of the Tekmar unit, matching each spade lug to its corresponding numbered position. (See the illustration included with these instructions.)
2. Attach the other end of the cable to the inverter box, where it is labeled "Tekmar".

Connection from the GC to the Inverter Box

1. Remove the right top instrument cover on the GC.
2. Plug the 12-pin connector on the Tekmar cable into one of the available receptacles on the four-way connector board.

Note: The four-way connector board and attached cables are standard with the 5971 MSD. However, they may need to be installed. Refer to your GC manual.

LSC-2/4000 to an HP 5890 GC with a 5971 MSD or an HP MS Engine (continued)

Connection from the GC to the Inverter Box (continued)

4. Replace the cover.
5. Connect the other end of the cable to the inverter box, where it is labeled "GC".

Optional Connection from an LSC-2 to a Peripheral Device (Data System)

This interface kit has a two-wire cable that can be used to externally start a peripheral device.

Note: This two-wire cable cannot be used with the 4000.

1. Remove the back panel on the LSC-2.
2. Locate the two-position terminal strip. On newer units, it is labeled "T-2". It sits on a horizontal plane directly above the terminal strip where you just attached the cable with four spade lugs. (See Figure 9 in the back of your LSC-2 Instruction Manual.)
3. Connect the spade lugs to the two-position terminal strip. It does not matter to which screw each wire attaches.
4. Replace the back panel, allowing the two-wire cable to exit the LSC-2.
5. Attach the wires on the opposite end of the cable to your peripheral device. Refer to your peripheral device manual for the location of these connections.

GC/MS Considerations

When using this I/O kit with a 5971 MSD (MS/DOS), you must press ACQUIRE DATA while in the top level and then select EDIT PARAMETERS. Under INJECTOR CONTROL, select MANUAL.

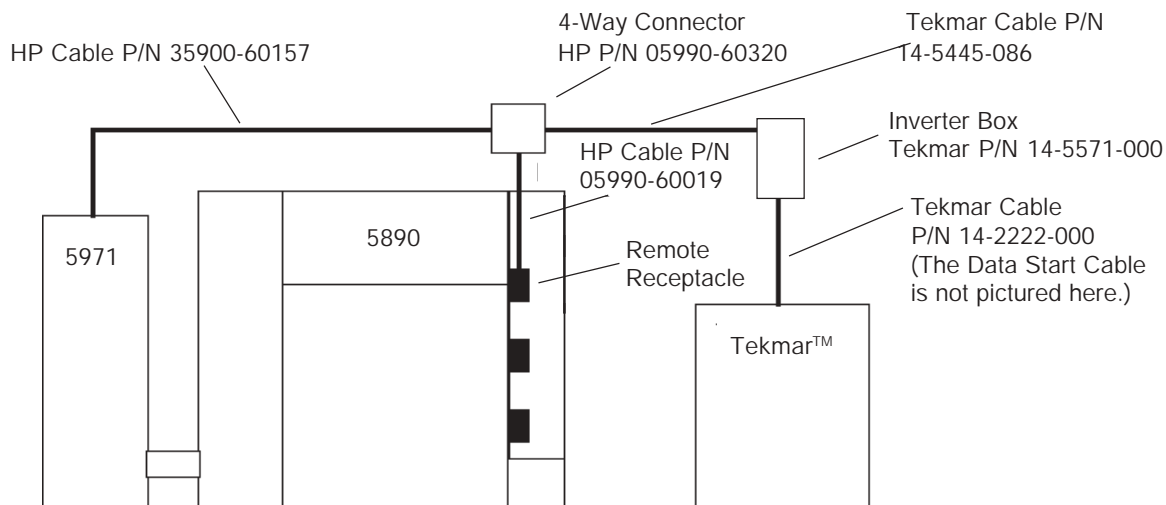


Figure 1 (Overhead View)



7143 East Kemper Road, Cincinnati, Ohio 45242-9576
 (800) 543-4461 • Outside the U.S. (513) 247-7000 • Service (800) 874-2004
 Telefax (513) 247-7050

Location: r:\techrte\iocables\5496-174.pm4
 V.08.14.92