

Pneumatics Control Module (HP part no. G2317-65500)

Description	HP Part No.	Qty.
1. 1/8" SwageLok Male Connector, SAE, Brass	G1543-80030	1
2. 100 PSIG inlet supply fitting	G1543-20510	1
3. Screw, M4 x 45 mm, Torx T20	0515-2484	1
4. EPC Valve, Replacement kit	G1530-60610	1
5. O-rings, HPM8 (Order HP Part No. 5180-4181, 12/pkg)		2
6. Screw, M3 x 20 mm, Torx T10	0515-1319	4
7. O-rings, .239 ID (Order HP Part No. 5180-4182, 12/pkg)		1
NS PCM gang weldment		

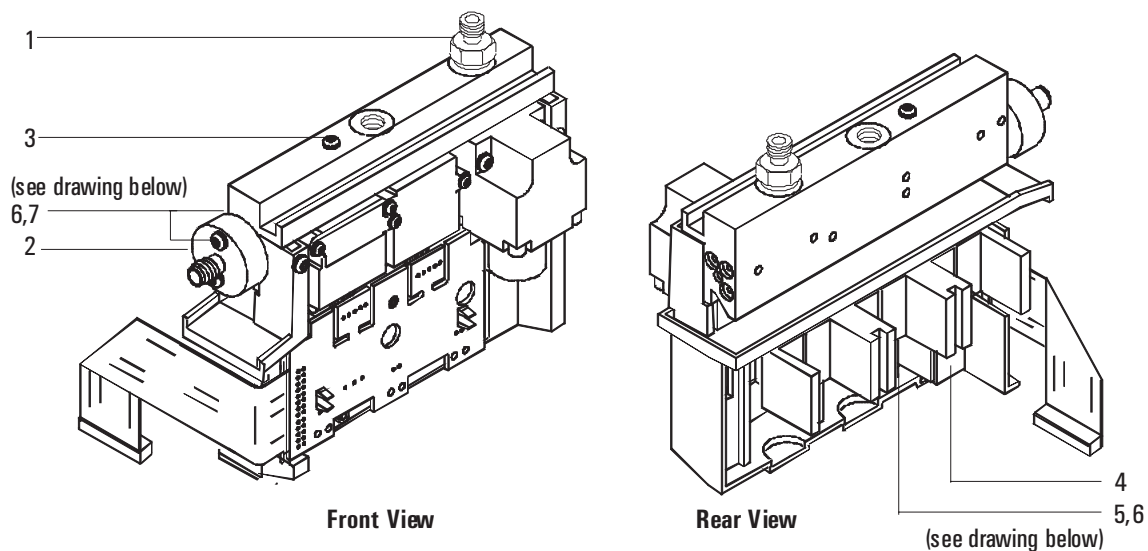


Figure 1310-18 Pneumatics Control Module

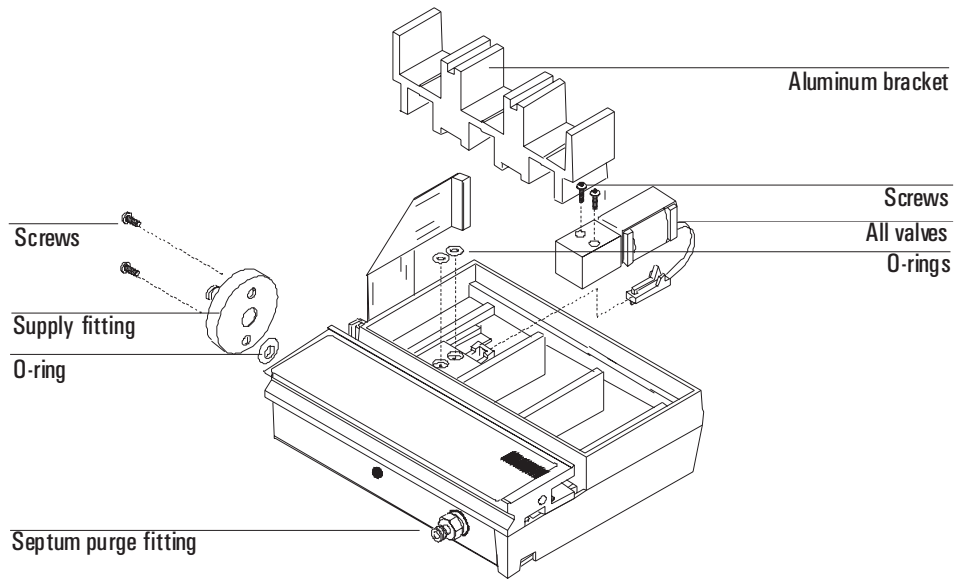


Figure 1310-19 Serviceable Parts Drawing Pneumatic Control Module