
7694 Carousel Top Subassemblies

	Description	HP Part No.	Qty
1	Heater, 300W	420-088-HSP	1
2	Fan	425-21 0-HSP	1
3	O-ring	325-266-HSP	1 2
4	Washer, PTFE	301 -098-HSP	6
5	Carousel	301 -075-HSP	
6	Shaft, carousel	301 -047-HSP	1
7	O Ring, carousel	325-1 46-HSP	1
8	Clutch, carousel	301 -049-HSP	1
9	Bush, upper carousel	301 -050-HSP	1
1 0	Oven	301 -044-HSP	1
1 1	Sensor, temperature PT1 00	435-001 -HSP	1
1 2	Thermo switch	485-405-HSP	1
1 3	Spacer, oven	301 -045-HSP	3
1 4	Bush, rod	301 -059-HSP	2
1 5	Plate, carousel	301 -1 28-HSP	1
1 6	Screen	301 -1 54-HSP	1
1 7	Durablanket th .38mm	301 -1 51 -HSP	1
Associated screws and washers			
A	Screw, M3 X 6 socket head cap	300-825-HSP	1
B	Screw, M3 X 1 0 pan head	051 5-0925	6
C	Washer, toothed D3	21 90-0638	4
D	Washer, flat D3	3050-0891	1
E	Screw, M4 X 1 0 flat head	051 5-091 3	3
F	Screw, M3 X 6 pan head	051 5-0924	5

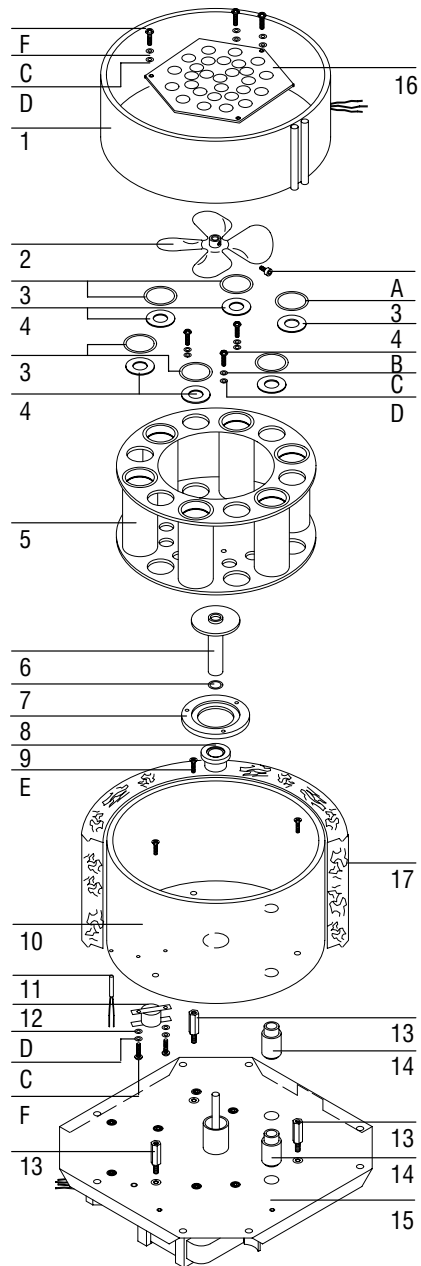


Figure 6-8. Exploding the Top of the Carousel