

Item	Description	HP Part No.	Qty
1	Screw, M4 x 8 mm	2510- 0043	2
2	Sound Damping Foil	19239- 20540	1
3	Mounting Bracket	19239- 00010	1
4	Grommet	0400- 0099	3
5	Nut	0535- 0043	3
6	Lock Washer	3050- 0540	3
7	CO <sub>2</sub> Cryo Blast Nozzle	19245- 80550	1
8	CO <sub>2</sub> Cryo Blast Restrictor Brazement	19245- 80590	1
9	● Tubing 360- mm	1530- 2163	1
10	● 1/8 to 1/16- inch Adapter	19360- 20510	1
11	● 2uM Filter	SNR 124770	1
12	● Tubing 254- mm	1530- 2183	1
13	● Cryo Blast Plate	19245- 00150	1
14	● Cryo Blast Fitting	19245- 20835	1
15	● NPD Air Restrictor	19234- 60600	1
16	Union	0100- 0125	1
16	Teflon Tape	0460- 0016	-
17	CO <sub>2</sub> Tube Fitting	0100- 0012	1
18	CO <sub>2</sub> Cryogenic Valve	19239- 60545	1
19	Sound Insulation Kit	19239- 20550	1

**Figure 7. CO<sub>2</sub> Cryo Blast Valve Assembly (Sheet 1 of 2).**

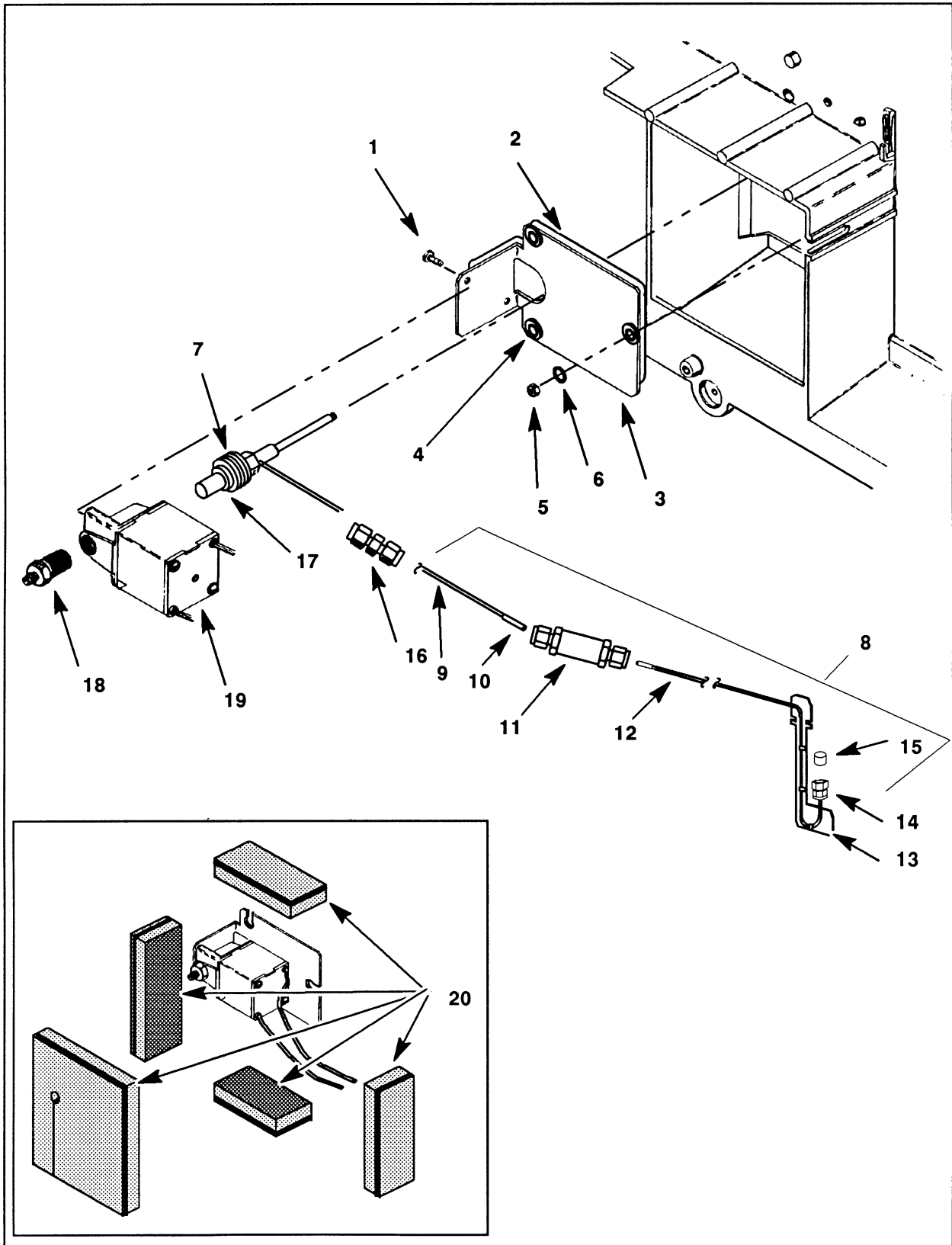


Figure 7. CO<sub>2</sub> Cryo Blast Valve Assembly (Sheet 2 of 2).