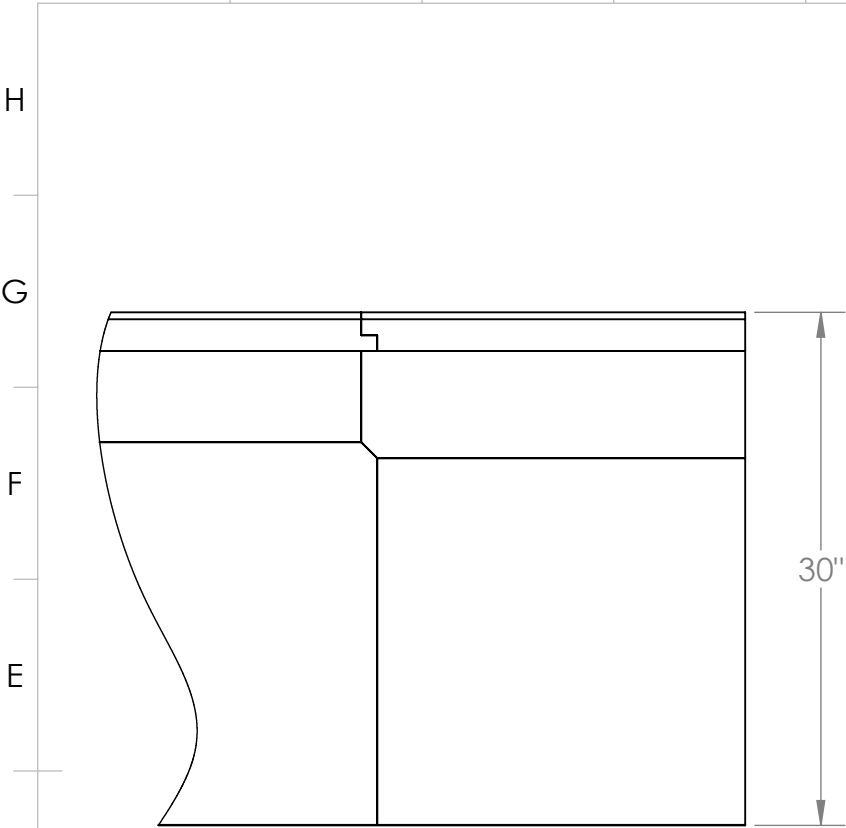
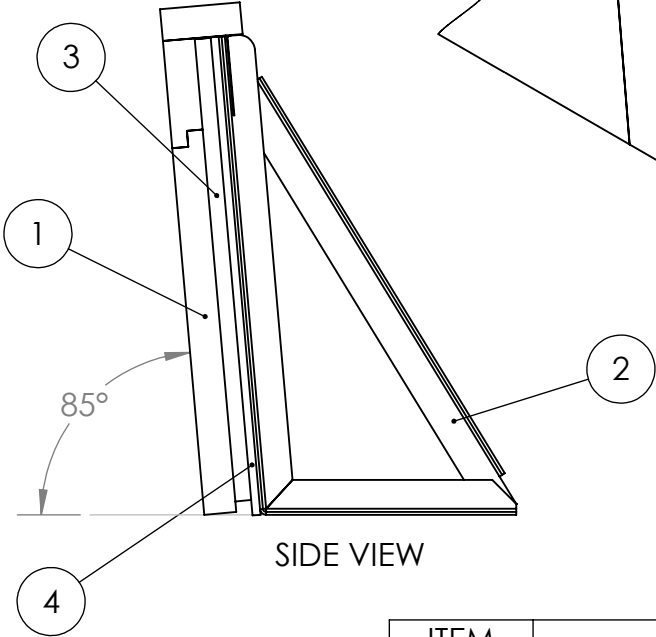


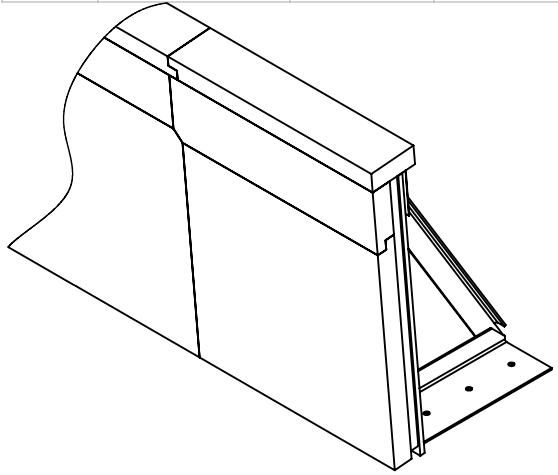
REV	Description	By	DATE
A	UPDATED	MWB	6/13/19



FRONT VIEW
(FLIP-LOK SHOWN*)



SIDE VIEW



ITEM	DESCRIPTION
1	2" VULCANIZED BALLISTIC RUBBER (REPLACEABLE)
2	STEEL BRACE
3	1" AIR GAP FURRING STRIP
4	1/2" AR500 BALLISTIC PLATE

CONFIDENTIAL: THIS DRAWING AND ANY INFORMATION OR DESCRIPTIVE MATERIAL SET OUT ON IT ARE THE CONFIDENTIAL AND COPYRIGHT PROPERTY OF ADVANCED TRAINING SYSTEMS (ATS), A DIVISION OF WINDCREST LLC AND MUST NOT BE DISCLOSED, COPIED, LOANED IN WHOLE OR PART OR USED FOR ANY PURPOSE WITHOUT THE WRITTEN PERMISSION OF ATS. ALL RIGHTS RESERVED.



MATL: N/A
CHECKED BY:



Advanced Training Systems
P.O. Box 486 Waconia, MN 55387
651-429-8091 763-333-5334

TITLE: KNEE WALL		DESCRIPTION: ATS TARGETS KNEE WALL SYSTEM	
TOL: .X = ± .125 .XX = ± .015 .XXX = ± .005	SIZE: A	DWG. NO. VKN40120	REV: A
SCALE: 1:12	DATE: 6/13/19	DRAWN BY: MWB	SHEET: 1 OF 1

*AVAILABLE IN STANDARD, SAFETY-SEAM(TM) AND FLIP-LOK(TM)