



Product Data Sheet

Product Name:

Series "C" Column Cover
Interior / Exterior Hairline & Reveal Joints

Manufacturer:

Columbia Architectural Products, Inc.
10722 Tucker Street
Beltsville, Maryland 20705
phone: (301) 937-4383
fax: (301) 937-6850
web: www.CapIndustriesInc.com

Panel Description:

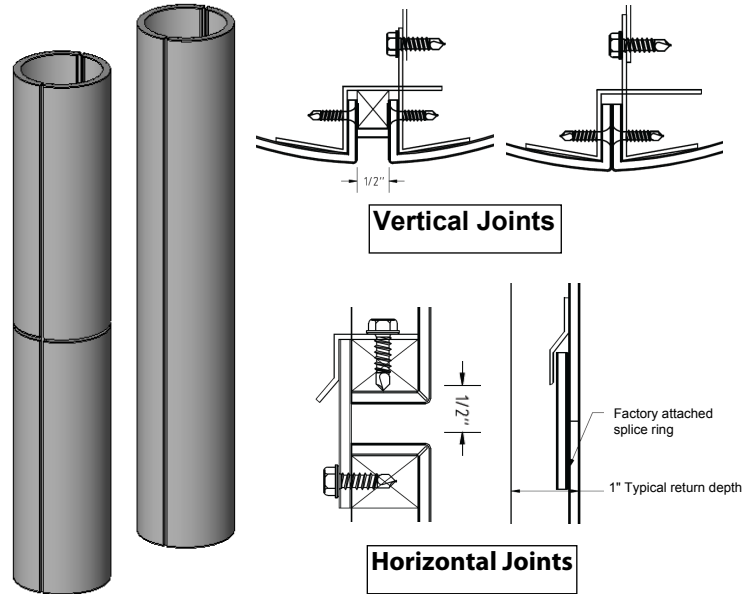
Our Series "C" Column Cover offers a hairline or reveal joint assembly featuring Alucoil® aluminum composite. The CAP slip lock assembly allows for a quick and easy installation.

Available in various standard or custom configurations and finishes.

These Column Enclosures are for use in interior & exterior applications such as Apartments and Condos, Office Buildings, Casinos, Schools, Airports, Retail Establishments, etc.

Available in sizes from 13" diameter and up and in single heights up to 16'.

Solid Color Selection:



Panel Composition:

Our standard column skins are 4mm with PE core and High Performance Kynar finishes. An optional Fire rated, FR core is also available.

Warranty:

30 year exterior performance finish warranty.

Other available Options:

Top and Base reveals from 1/2" to 6".
1/2" and 1" Vertical and Horizontal reveals.

Mica Color Selection:



Metallic Color XL Selection:



Greater Flexibility in providing Custom Colors:

Samples are available upon request. CAP Industries and Alucoil® take a different approach to address a growing market trend. Contact one of our helpful staff members for assistance.

