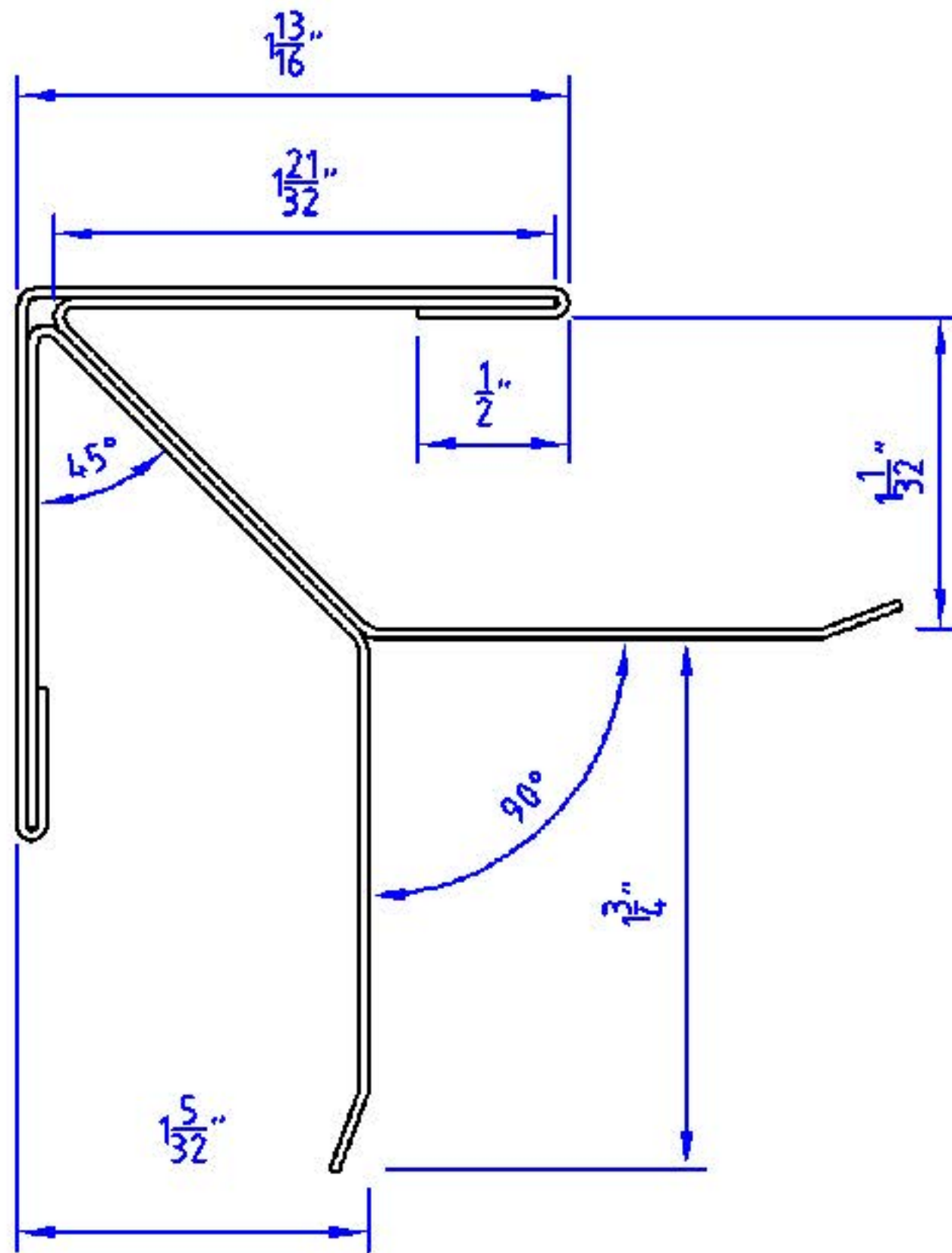
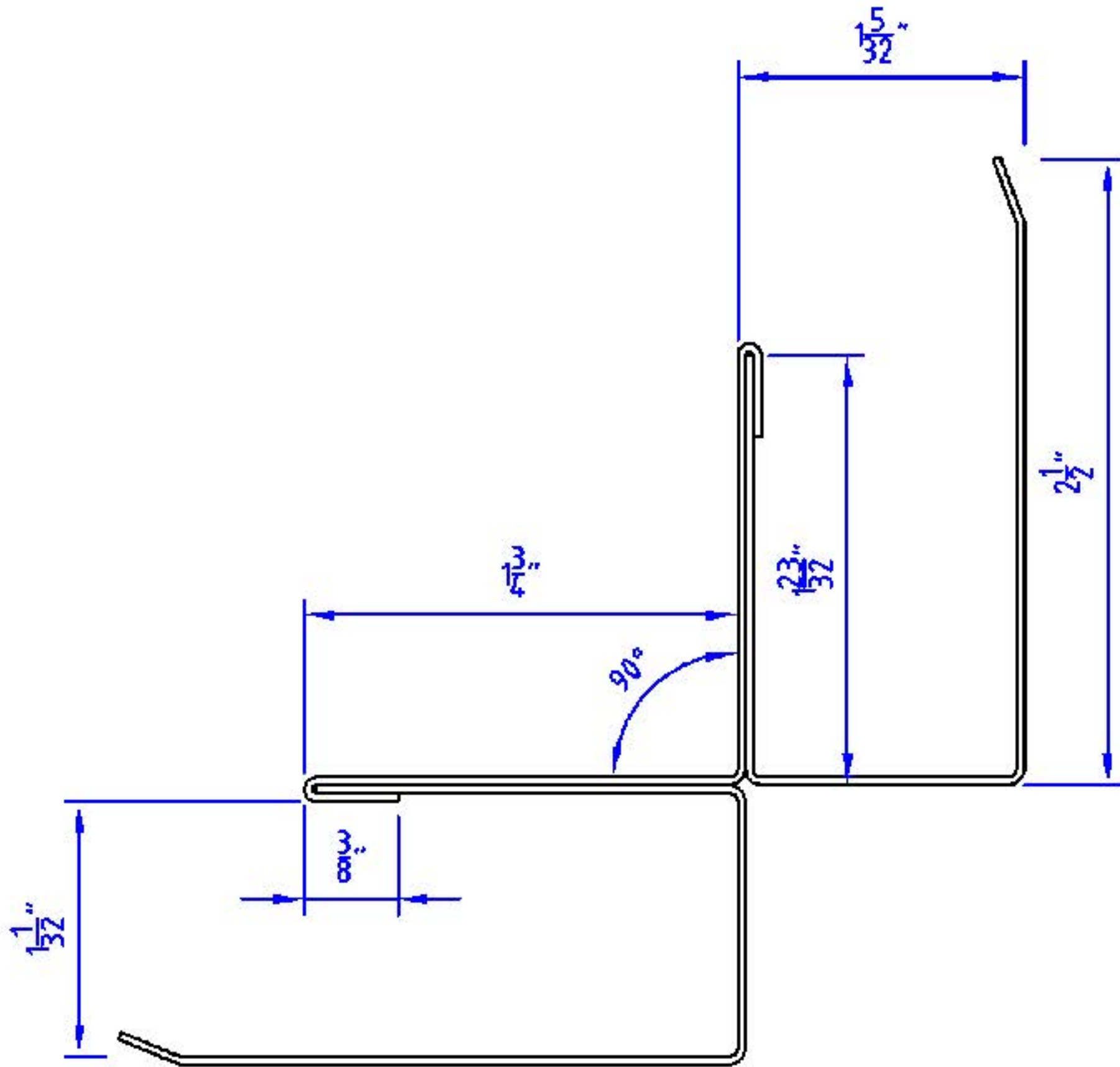


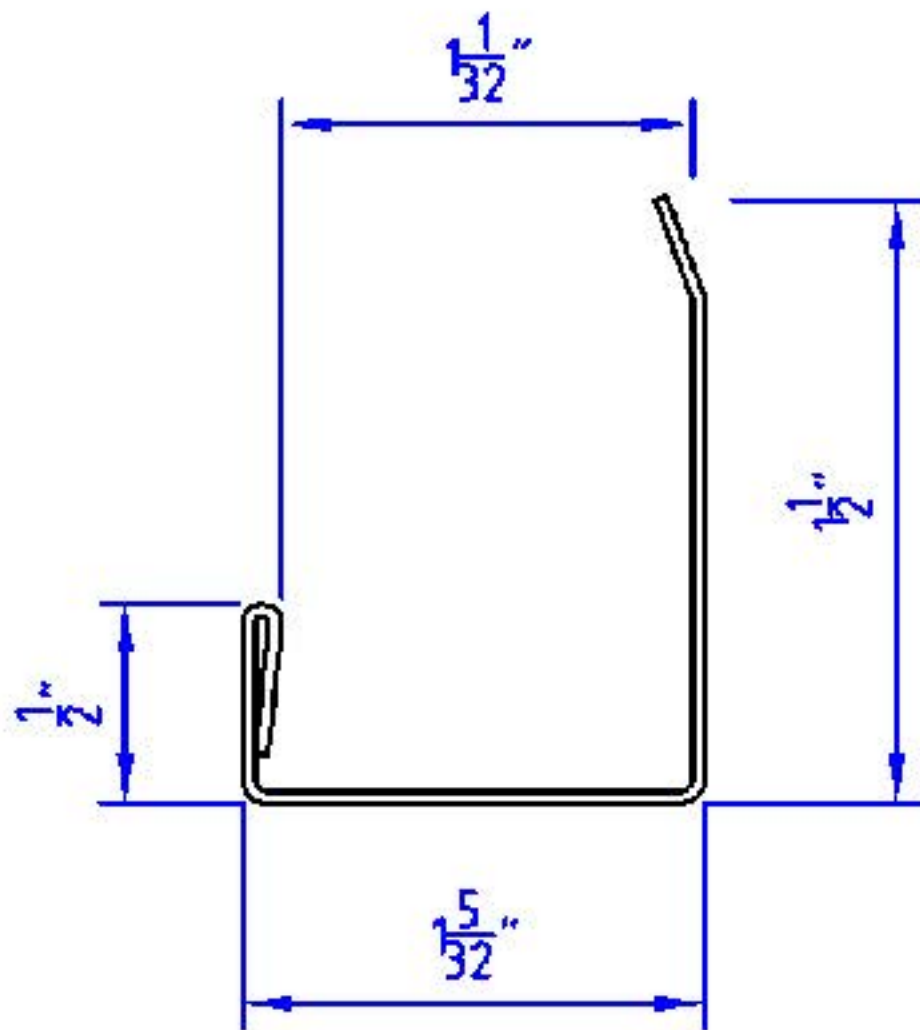
**B1001 "H" DIVIDER**



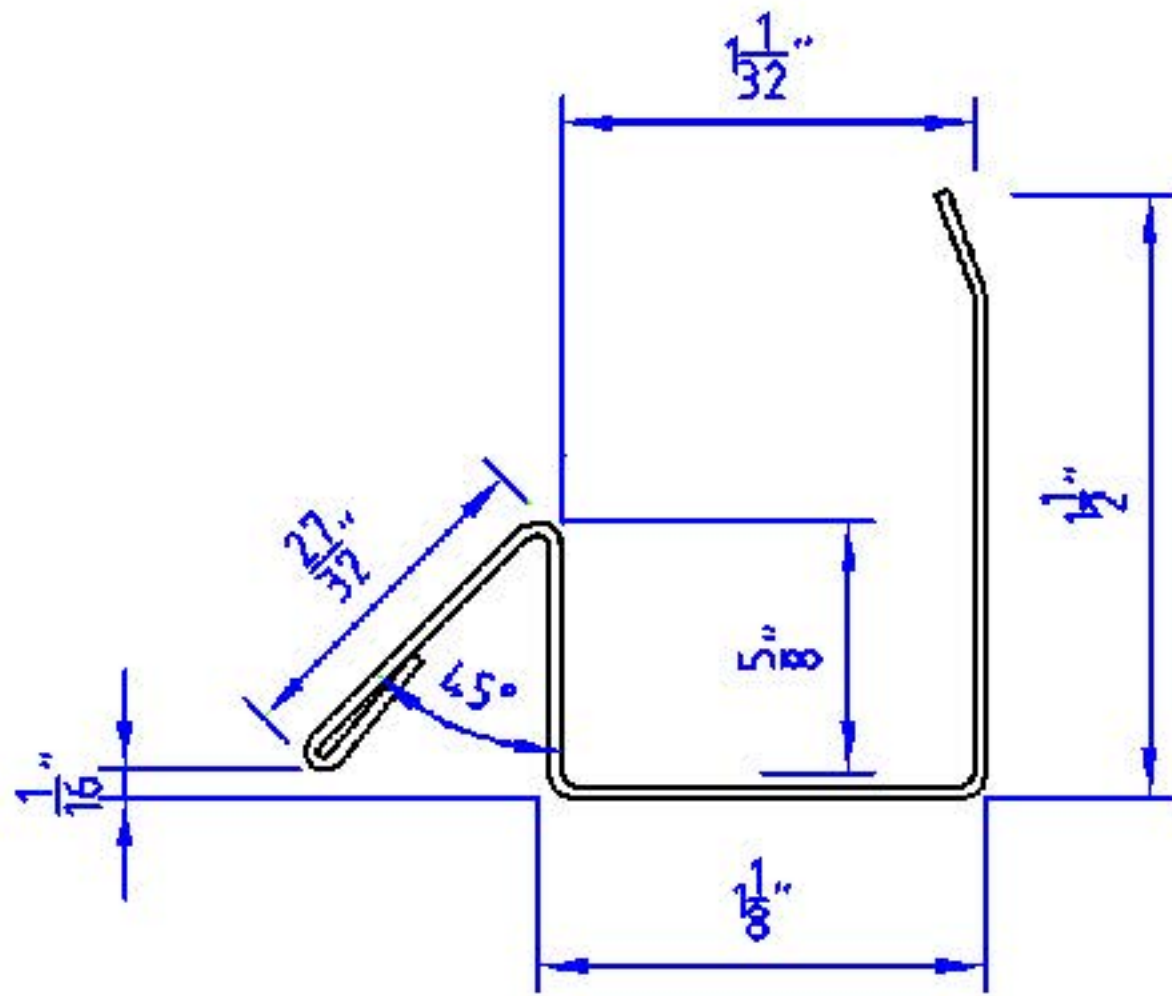
**B1002 OUTSIDE CORNER**



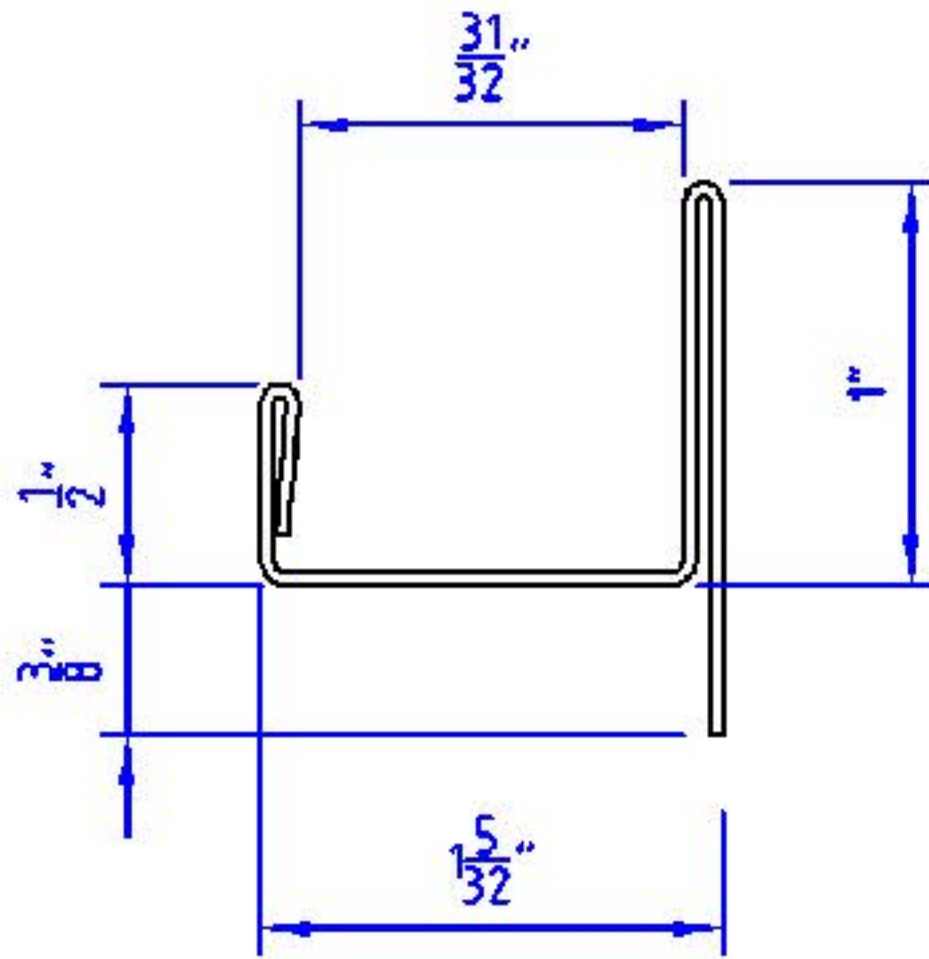
**B1003 INSIDE CORNER**



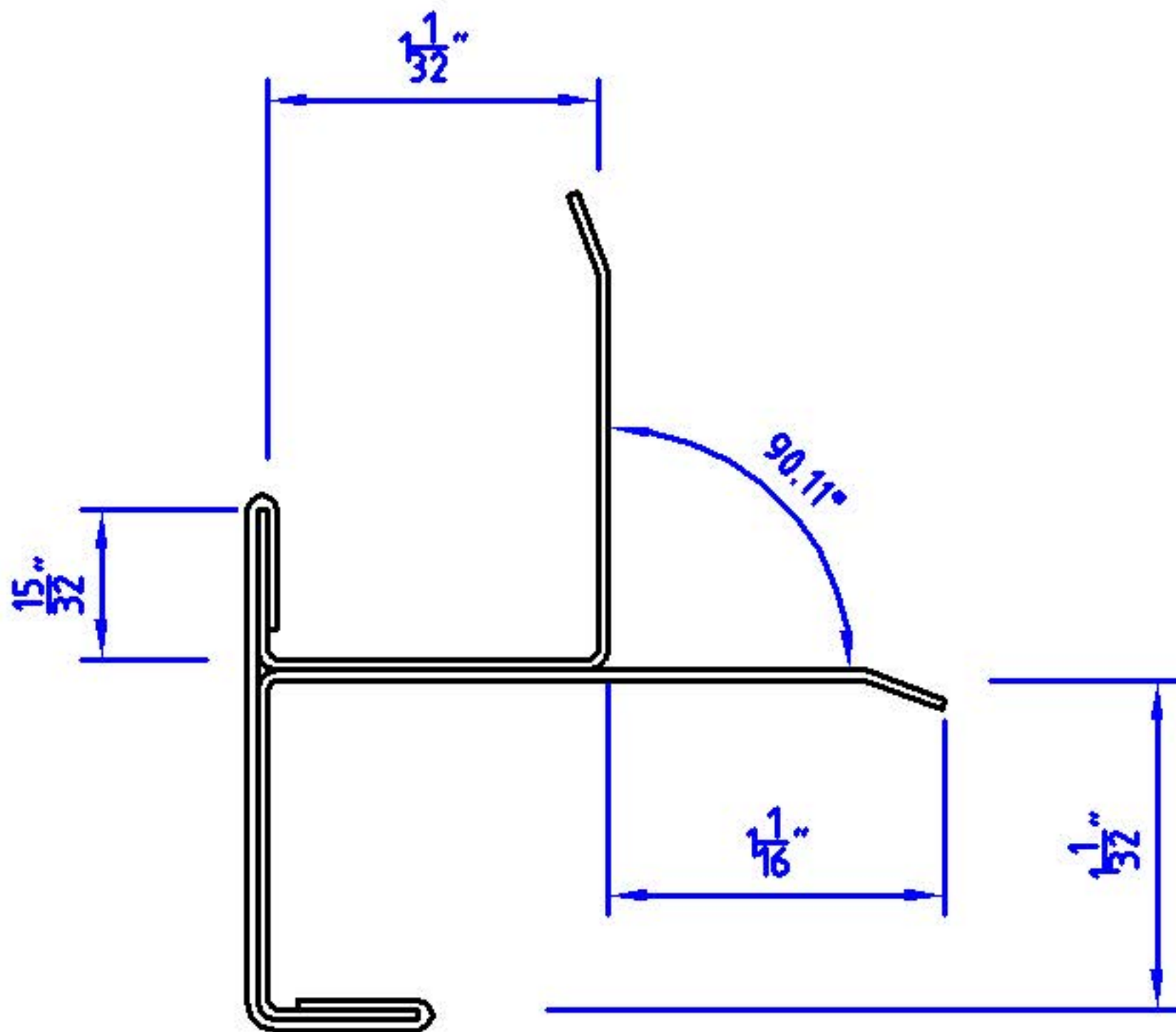
**B1004 "J" TRIM**



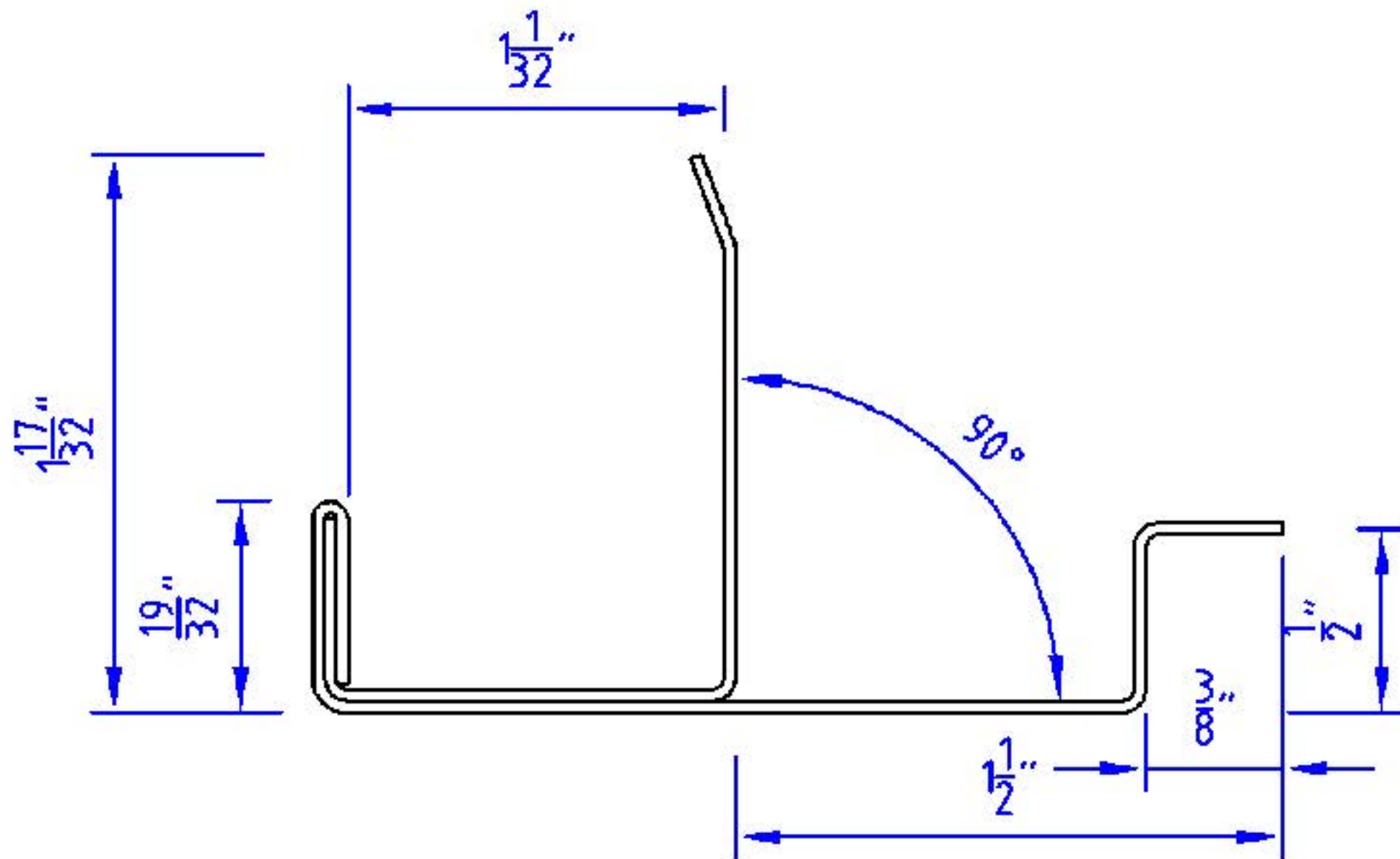
**B1005 DRIP EDGE**



## B1006 TERMINATING "J"

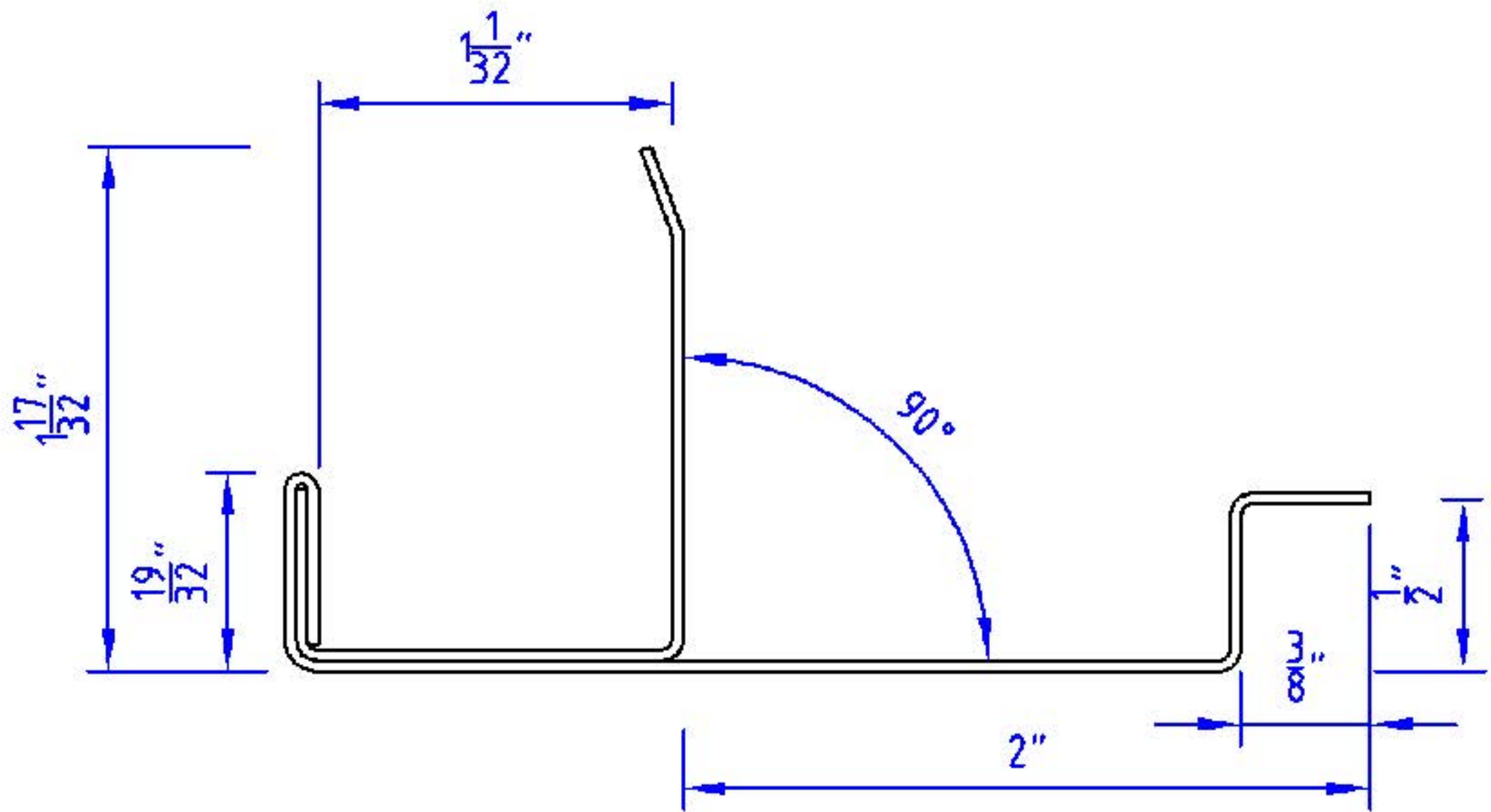


**B1007 FASCIA/ SOFFIT TRIM**

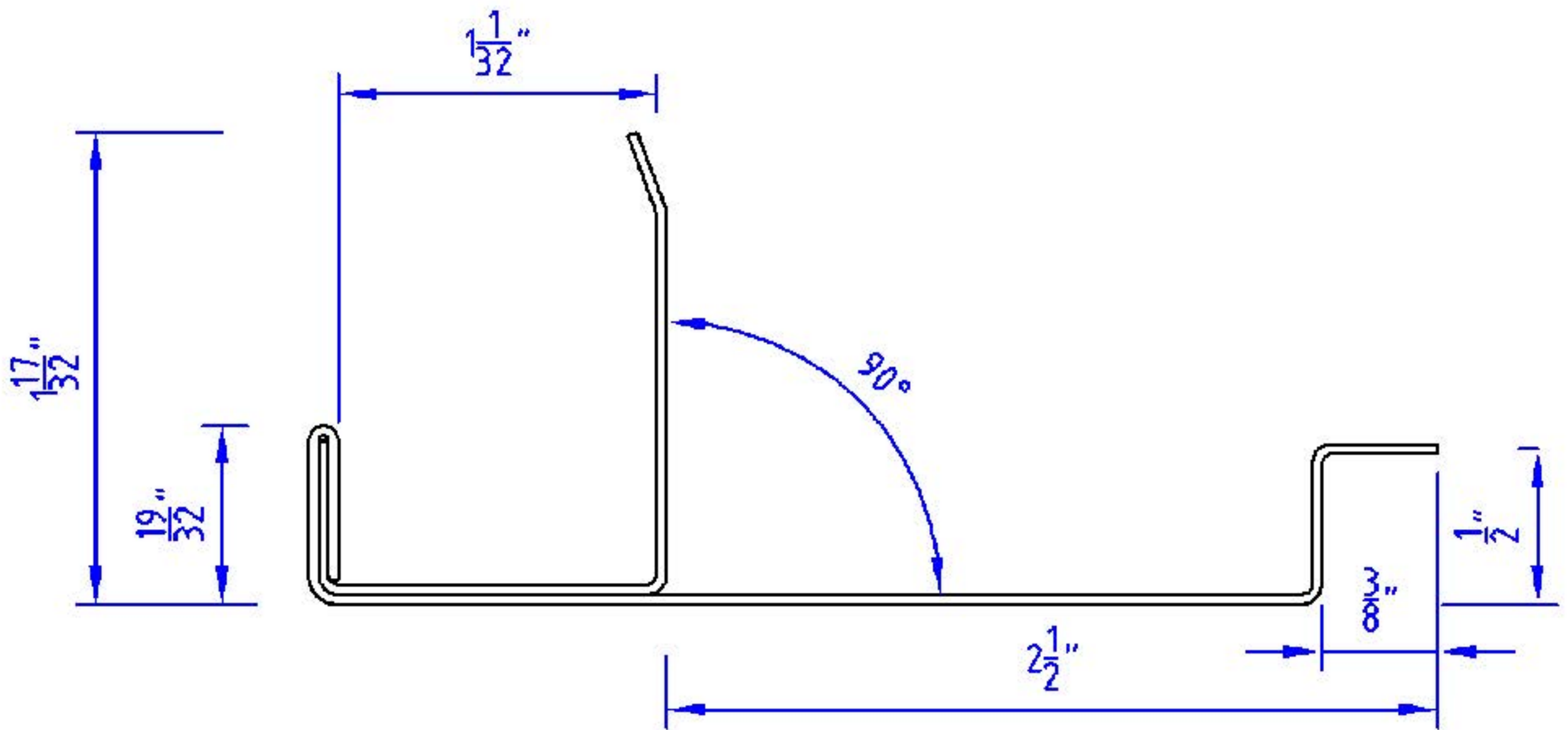


**B1008-1.5 "J" RETURN**

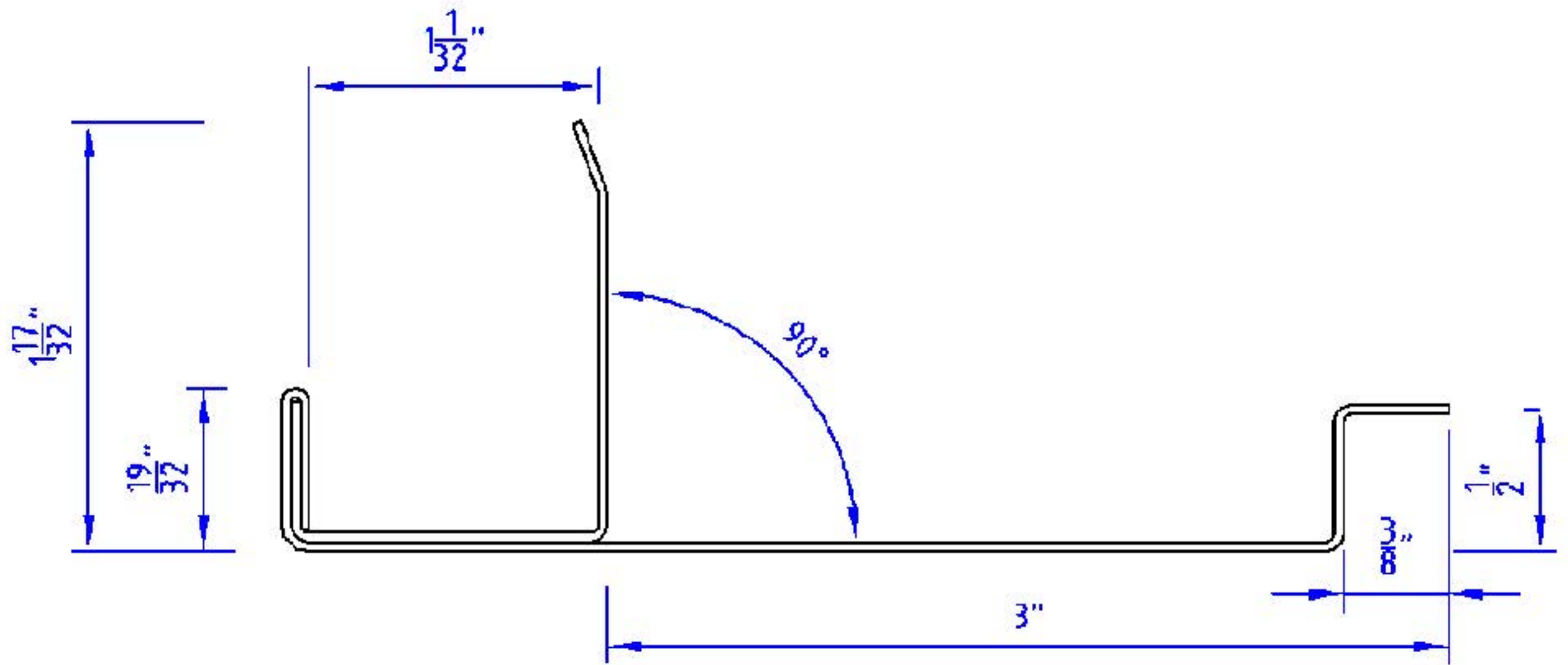




## B1008-2.0 "J" RETURN



**B1008-2.5 "J" RETURN**



**B1008-3.0 "J" RETURN**