



cabdoor

“Where custom is standard”

PureWood™ Millwork

PureWood™ Millwork

Contents:

Mouldings

Crowns	2
Misc. Cabinet Mouldings	10
Ledger Boards and Lite Rails	11
Scribes and Corners	12
Casings and Bases.....	13
Applied Mouldings.....	14
Mitre Moulding Patterns	15

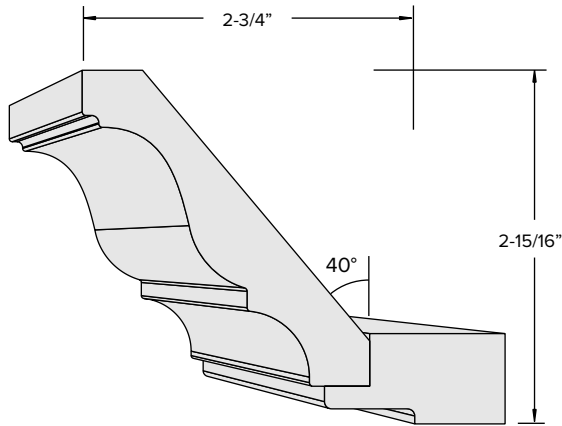
S4S Lineals	16
-------------------	----

Arched Valance Information.....	17
---------------------------------	----

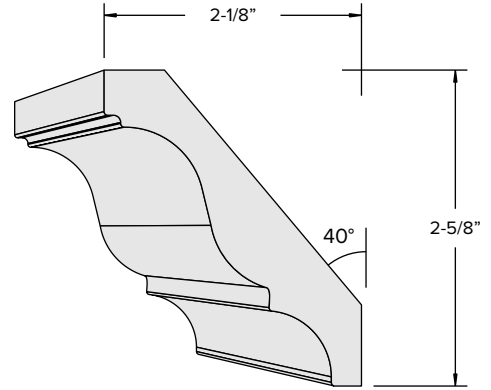
PureWood Millwork Program and Ordering Templates

Template Instructions.....	18
Wall Panel Ordering Templates	2.1
End Panel Ordering Templates	3.1
Angle Door Ordering Templates	4.1
Arched Valance Ordering Templates	5.1
Refrigerator Panel Ordering Templates.....	6.1

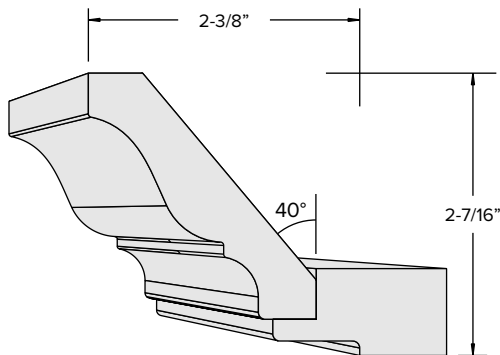
Crown Moulding Patterns



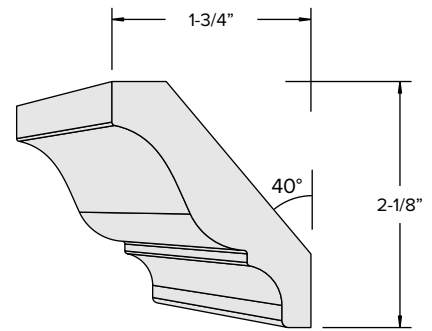
Crown1-L 3-3/8" Crown Pattern w/ Ledger



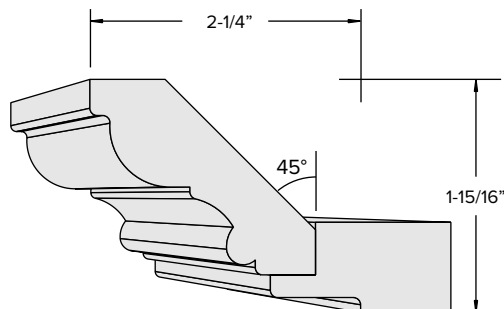
Crown1 3-3/8" Crown Pattern



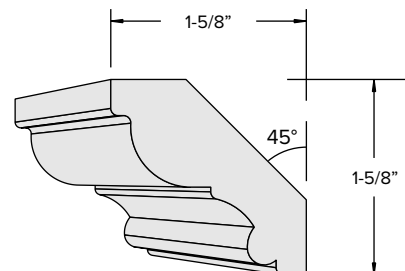
Crown2-L 2-3/4" Crown Pattern w/ Ledger



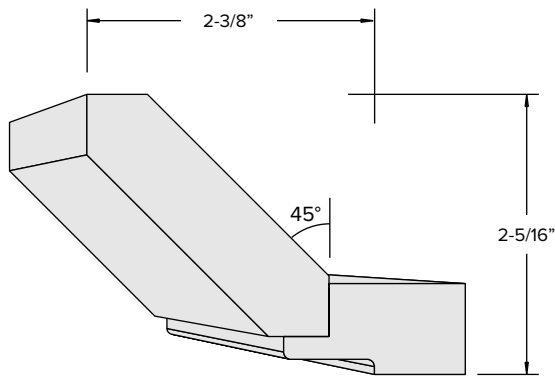
Crown2 2-3/4" Crown Pattern



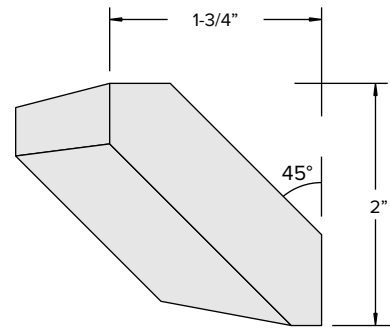
Crown3-L 2-1/4" Crown Pattern w/ Ledger



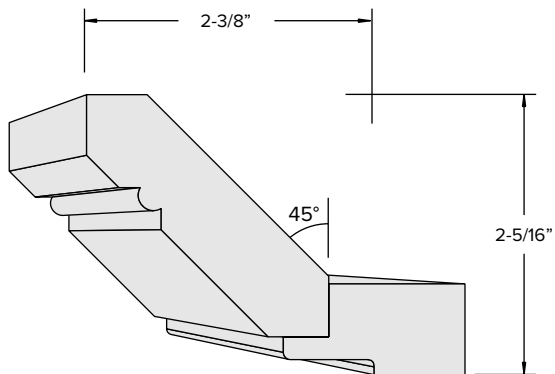
Crown3 2-1/4" Crown Pattern



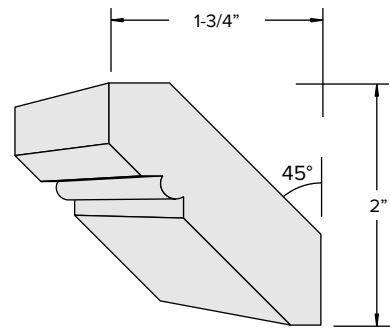
Crown4-L 2-7/8" Shaker Crown Pattern w/ Ledger



Crown4 2-7/8" Shaker Crown Pattern



Crown5-L 2-7/8" Beaded Shaker Crown Pattern w/ Ledger



Crown5 2-7/8" Beaded Shaker Crown Pattern

Cabinet Moulding Price List

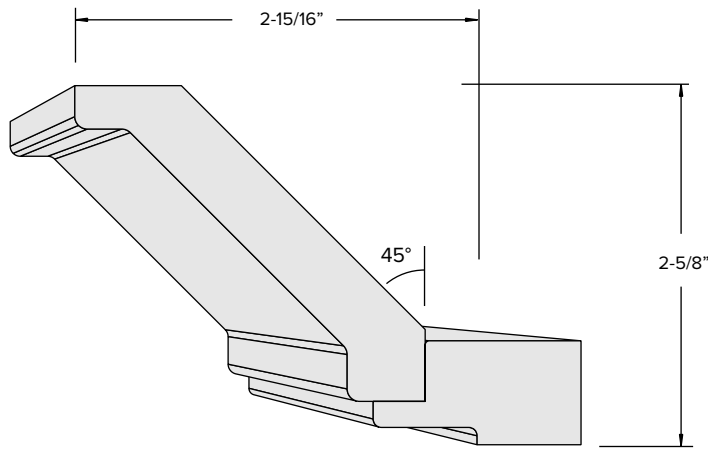
Moulding Pattern	Knotty Pine Red Oak Knotty Oak	PG Hdwd Alder Knotty Alder Rustic Cherry	Ash Cherry Knotty Cherry	Maple White Oak	Beech Rustic Beech Hickory Knotty Hickory	QS White Oak Mahogany (Qtr'd Sapele)	Walnut
Crown1	2.60	2.10	3.30	2.75	2.30	3.75	5.35
Crown2	2.30	1.95	2.95	2.45	2.10	3.35	4.75
Crown3	2.05	1.70	2.60	2.15	1.85	2.95	4.15
Crown4	2.30	1.95	2.95	2.45	2.10	3.35	4.75
Crown5	2.60	2.30	3.30	2.75	2.40	3.70	5.15

All Prices are per lineal foot.

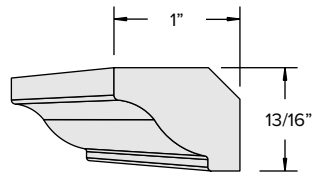
Lengths will vary between 8 and 12 feet.

For Ledger Board Applications, order separately from page 11

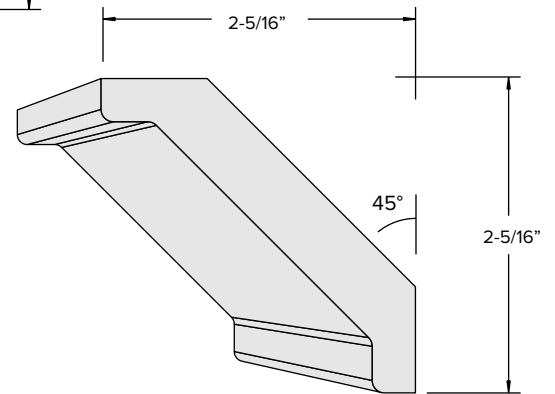
Crown Moulding Patterns



Crown12-L 3-1/4" Crown Pattern w/ Ledger



Crown6 1" Crown Pattern



Crown12 3-1/4" Crown Pattern

Cabinet Moulding Price List

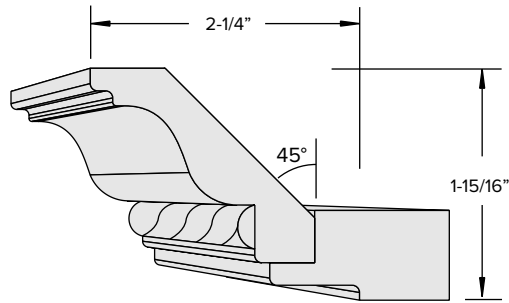
Moulding Pattern	Knotty Pine Red Oak Knotty Oak	PG Hdwd Alder Knotty Alder Rustic Cherry	Ash Cherry Knotty Cherry	Maple White Oak	Beech Rustic Beech Hickory Knotty Hickory	Mahogany (Qtr'd Sapele)	Walnut
Crown6	1.55	1.35	1.85	1.60	1.40	2.05	2.90
Crown7	4.80	4.40	5.55	5.00	4.55	6.00	8.10
Crown8	4.80	4.40	5.55	5.00	4.55	6.00	8.10
Crown12	2.60	2.10	3.30	2.75	2.30	3.75	5.35

All Prices are per lineal foot.

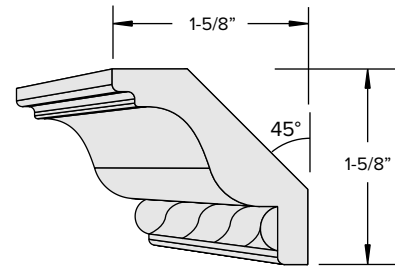
Lengths will vary between 8 and 12 feet.

Pricing is the same for Crown Pattern or Crown Pattern designed for Ledger Board.

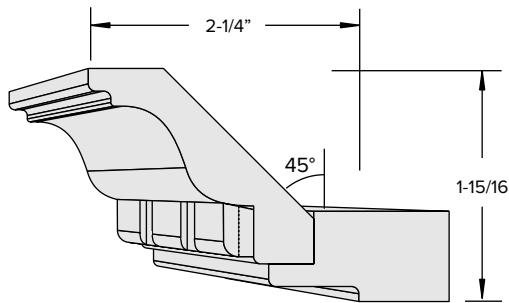
Ledger Board sold separately on page 11.



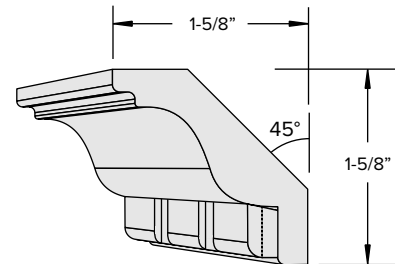
Crown7-L 2-1/4" Crown Pattern w/ Ledger



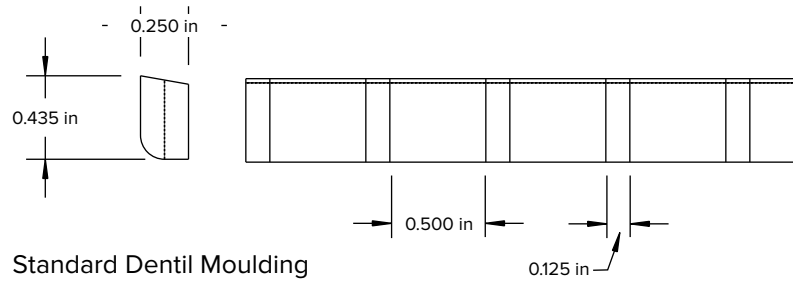
Crown7 2-1/4" Crown Pattern



Crown8-L 2-1/4" Crown Pattern w/ Ledger

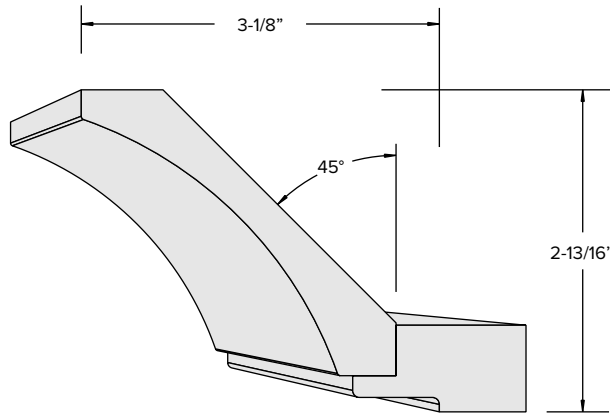


Crown8 2-1/4" Crown Pattern

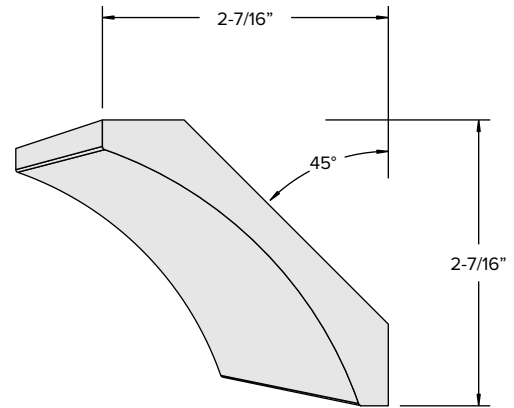


Standard Dentil Moulding

Crown Moulding Patterns



Crown9-L 3-1/2" Crown Pattern w/ Ledger



Crown9 3-1/2" Crown Pattern

Cabinet Moulding Price List

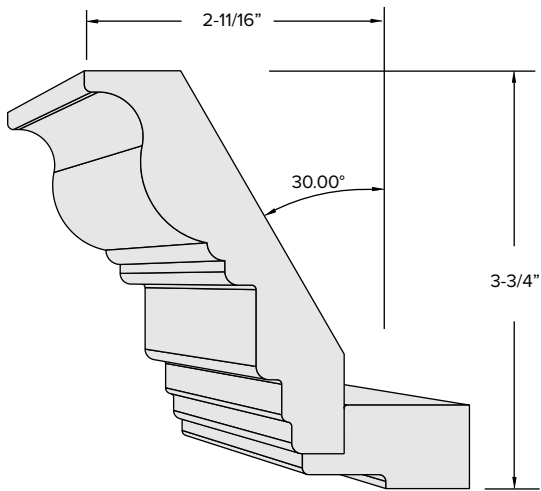
Moulding Pattern	Knotty Pine Red Oak Knotty Oak	PG Hdwd Alder Knotty Alder Rustic Cherry	Ash Cherry Knotty Cherry	Maple White Oak	Beech Rustic Beech Hickory Knotty Hickory	Mahogany (Qtr'd Sapele)	Walnut
Crown9	2.80	2.50	3.70	3.05	2.70	4.25	6.10
Crown10	3.05	2.85	4.05	3.35	2.95	4.70	6.70
Crown11	2.80	2.50	3.70	3.05	2.70	4.25	6.10

All Prices are per lineal foot.

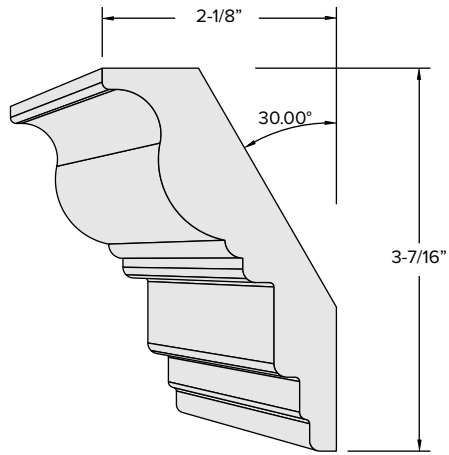
Lengths will vary between 8 and 12 feet.

Pricing is the same for Crown Pattern or Crown Pattern designed for Ledger Board.

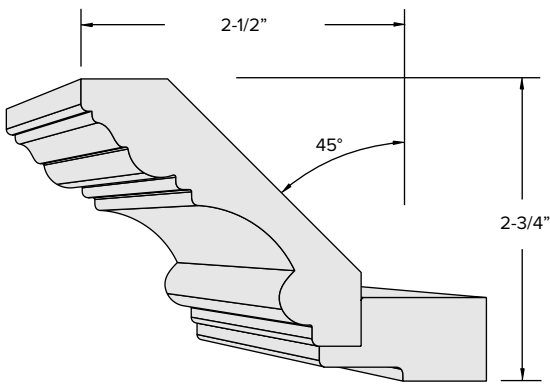
Ledger Board sold separately on page 11.



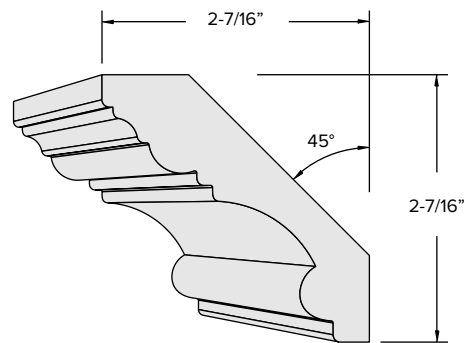
Crown10-L 4" Crown Pattern w/ Ledger



Crown10 4" Crown Pattern

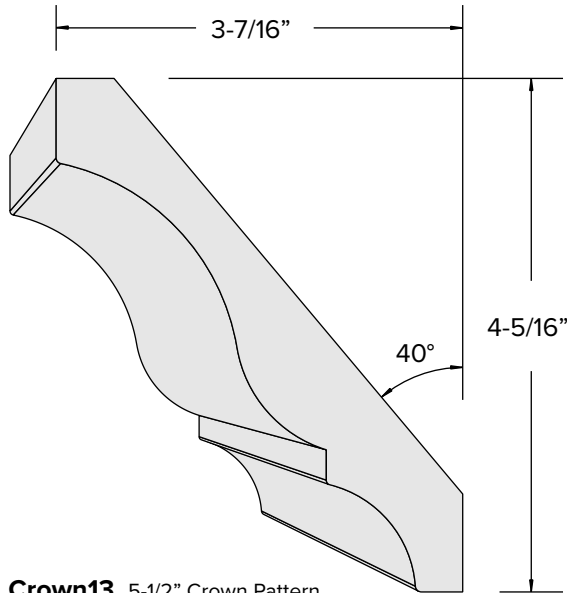


Crown11-L 3-3/8" Crown Pattern w/ Ledger



Crown11 3-3/8" Crown Pattern

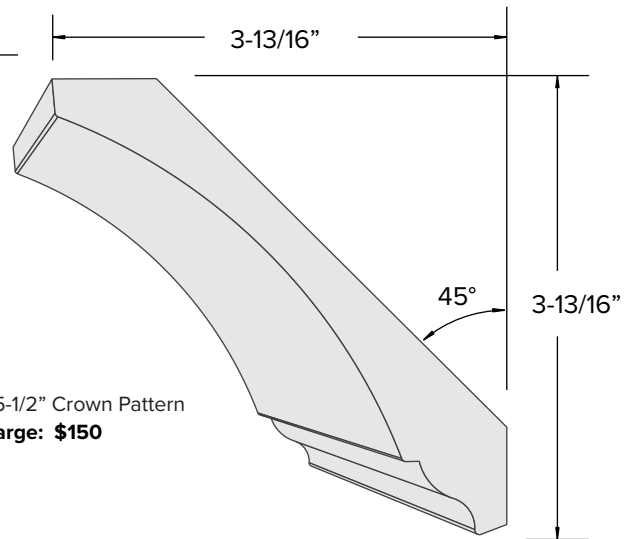
Crown Moulding Patterns



Crown13 5-1/2" Crown Pattern
Setup Charge: \$150

Please Note:

All crowns on these pages are not stocking items and require a minimum setup charge, as listed.



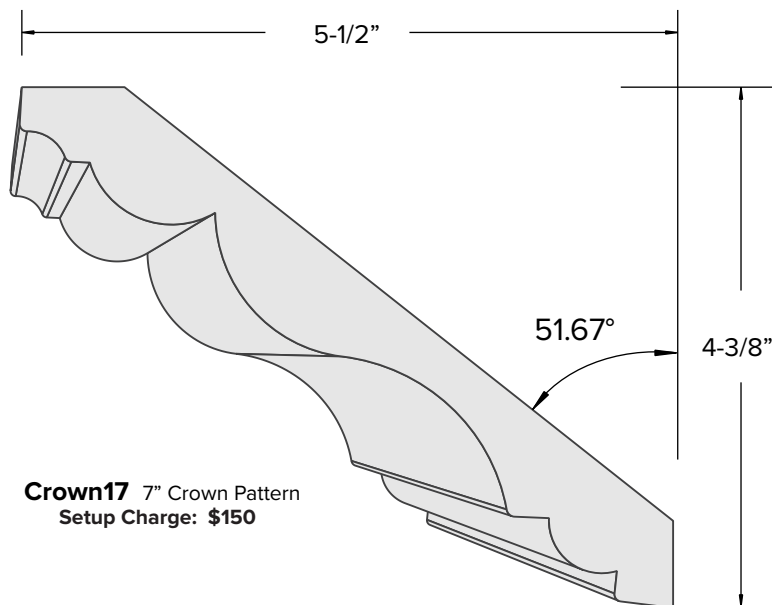
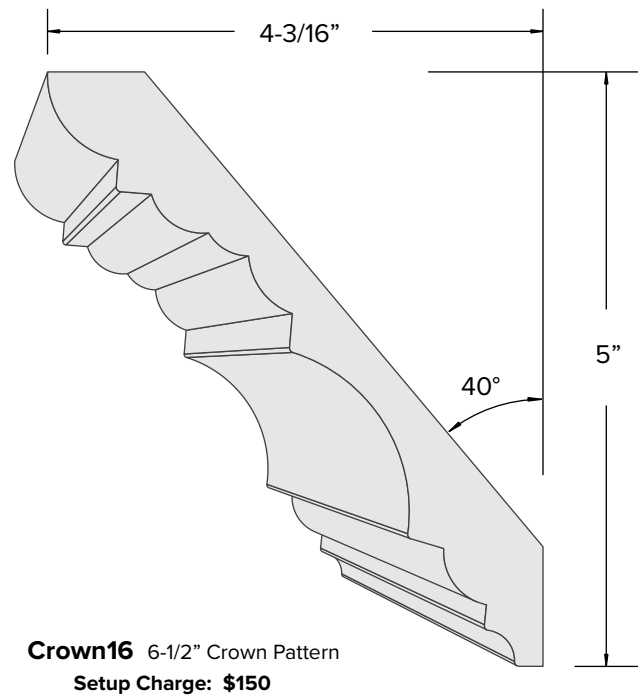
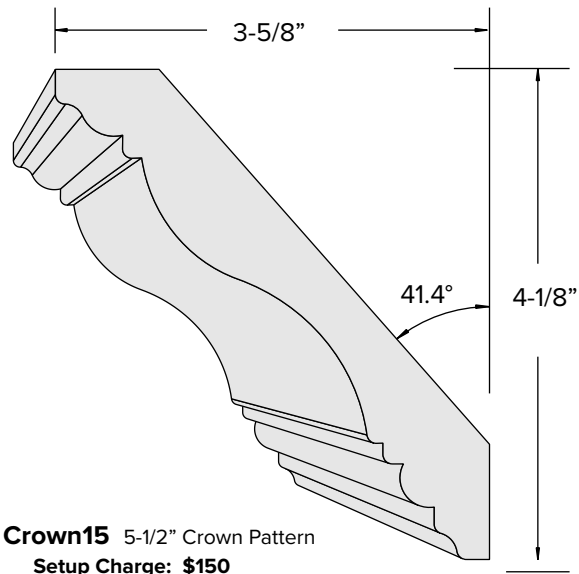
Crown14 5-1/2" Crown Pattern
Setup Charge: \$150

Cabinet Moulding Price List

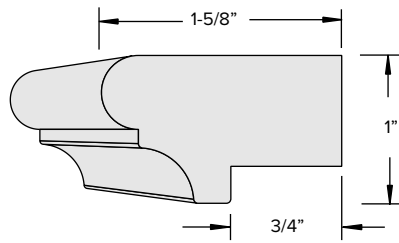
Moulding Pattern	Knotty Pine Red Oak Knotty Oak	PG Hdw'd Alder Knotty Alder Rustic Cherry	Ash Cherry Knotty Cherry	Maple White Oak	Beech Rustic Beech Hickory Knotty Hickory	Mahogany (Qtr'd Sapele)	Walnut
Crown13	6.05	5.15	8.75	7.90	6.95	12.55	19.55
Crown14	6.05	5.15	8.75	7.90	6.95	12.55	19.55
Crown15	6.05	5.15	8.75	7.90	6.95	12.55	19.55
Crown16	7.40	6.30	10.60	9.65	9.10	15.20	23.50
Crown17	8.10	6.90	11.55	10.50	9.25	16.45	25.30

All Prices are per lineal foot.

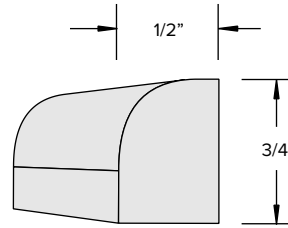
Lengths will vary between 8 and 12 feet.



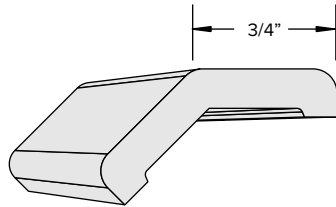
Misc. Cabinet Mouldings



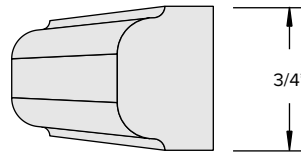
CR1
Chair Rail- 3/4" Cap



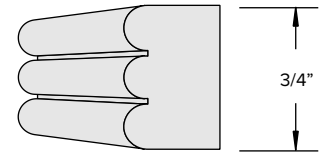
3/4" x 1/2" Base Shoe



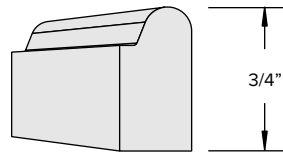
OSCorner3
Outside Corner Moulding 135°
(45° application)



ShelfEdge1
Decorative Shelving
Edge
1/2" x 3/4"



ShelfEdge2
Decorative Shelving
Edge
1/2" x 3/4"



Inset Bead 3/8" Inset Door Bead
(faceframing bead for flush inset applications)

Cabinet Moulding Price List

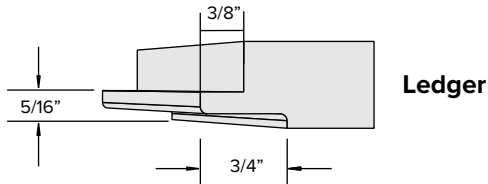
Moulding Pattern	Knotty Pine Red Oak Knotty Oak	PG Hdwd Alder Knotty Alder Rustic Cherry	Ash Cherry Knotty Cherry	Maple White Oak	Beech Rustic Beech Hickory Knotty Hickory	Mahogany (Qtr'd Sapele)	Walnut
CR1 Chair Rail	2.60	2.10	3.30	2.75	2.30	3.75	5.35
Base Shoe	1.50	1.50	2.00	2.00	1.50	2.50	3.30
OSCorner3	2.30	1.95	2.95	2.45	2.10	3.35	4.75
ShelfEdge1	1.50	1.50	2.00	2.00	1.50	2.50	3.30
ShelfEdge2	1.50	1.50	2.00	2.00	1.50	2.50	3.30
Inset Bead	1.45	1.35	1.70	1.45	1.35	1.80	2.40

All Prices are per lineal foot.

Lengths will vary between 8 and 12 feet.



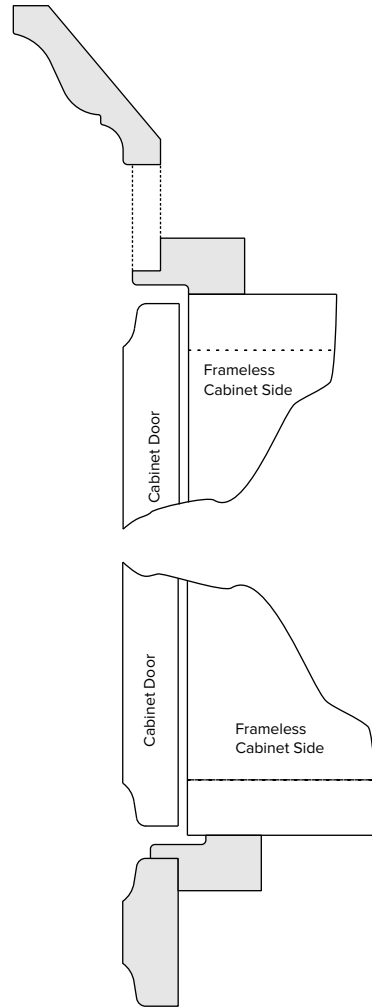
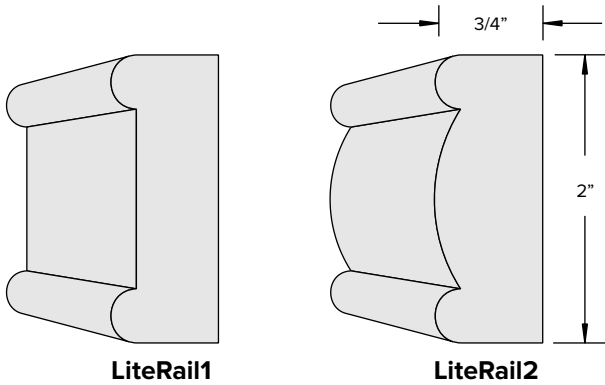
CabDoor's Ledger Board Profile



CabDoor's Ledger Board profile may be incorporated to add Lite Rails or apply Crowns to frameless cabinet construction.

S4S Lineals with matching door edges may be ordered on page 18, or utilize the Light Rail profiles below.

See application diagram to right.



CabDoor's Ledger Board Application

Cabinet Moulding Price List

Moulding Pattern	Knotty Pine Red Oak Knotty Oak	PG Hdwd Alder Knotty Alder Rustic Cherry	Ash Cherry Knotty Cherry	Maple White Oak	Beech Rustic Beech Hickory Knotty Hickory	Mahogany (Qtr'd Sapele)	Walnut
Ledger	2.20	1.70	2.55	2.15	1.80	2.95	4.15
LiteRail1	2.20	1.70	2.55	2.15	1.80	2.95	4.15
LiteRail2	2.20	1.70	2.55	2.15	1.80	2.95	4.15

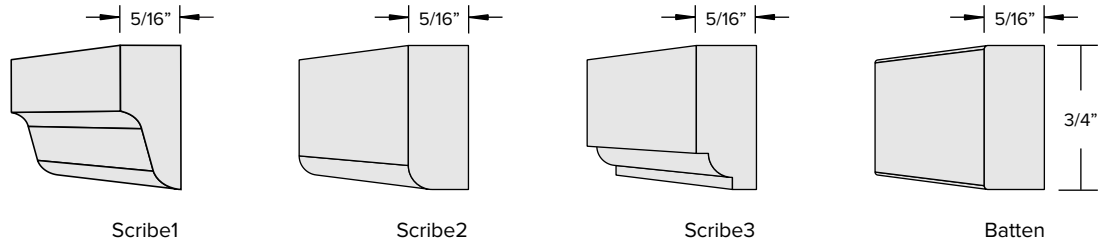
All Prices are per lineal foot.

Lengths will vary between 8 and 12 feet.

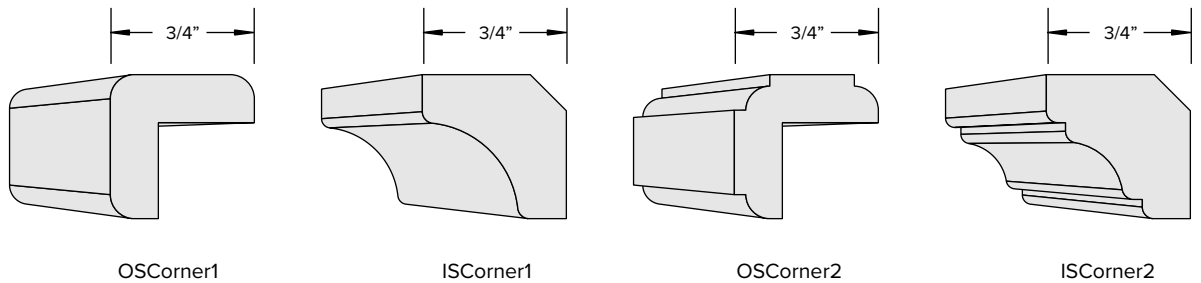
For additional LiteRail options, order S4S with Matching Door edges from page 16.

Scribes and Corners

3/4" Scribes, Battens and Trims



3/4" x 3/4" Outside and Inside Corners



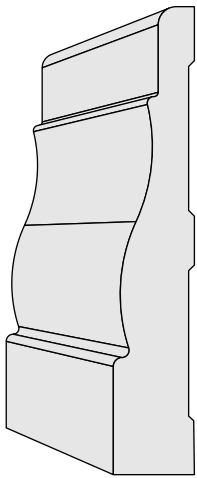
Cabinet Moulding Price List

Moulding Pattern	Knotty Pine Red Oak Knotty Oak	PG Hdwd Alder Knotty Alder Rustic Cherry	Ash Cherry Knotty Cherry	Maple White Oak	Beech Rustic Beech Hickory Knotty Hickory	Mahogany (Qtr'd Sapele)	Walnut
Scribe1	.90	.80	1.20	1.05	.90	1.50	2.10
Scribe2	.90	.80	1.20	1.05	.90	1.50	2.10
Scribe3	.90	.80	1.20	1.05	.90	1.50	2.10
Batten	.90	.80	1.20	1.05	.90	1.50	2.10
OSCorner1	1.70	1.55	1.95	1.80	1.70	2.10	2.70
ISCorner1	1.70	1.55	1.95	1.80	1.70	2.10	2.70
OSCorner2	1.70	1.55	1.95	1.80	1.70	2.10	2.70
ISCorner2	1.70	1.55	1.95	1.80	1.70	2.10	2.70

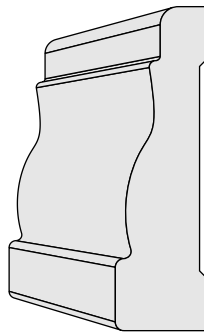
All Prices are per lineal foot.
Lengths will vary between 8 and 12 feet.



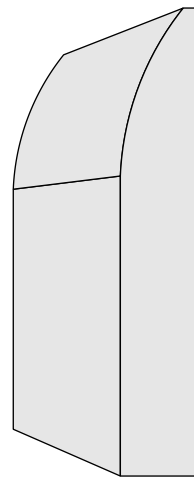
Casings and Base Boards



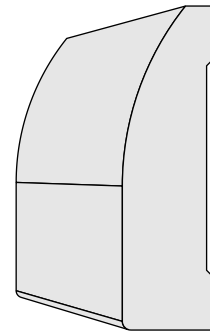
3-1/2" Colonial Base
(9/16" Thick)



2-1/4" Colonial Casing
(5/8" Thick)



3-1/2" Standard Base
(9/16" Thick)



2-1/4" Standard Casing
(5/8" Thick)

Cabinet Moulding Price List

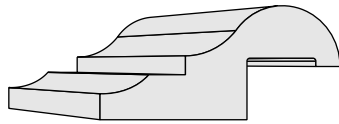
Moulding Pattern	Knotty Pine Red Oak Knotty Oak	PG Hdw Alder Knotty Alder Rustic Cherry	Ash Cherry Knotty Cherry	Maple White Oak	Beech Rustic Beech Hickory Knotty Hickory	Mahogany (Qtr'd Sapele)	Walnut
Colonial Base	2.60	2.15	3.35	2.80	2.35	3.85	5.60
Colonial Casing	2.10	1.75	2.85	2.35	1.90	3.15	4.50
Standard Base	2.60	2.15	3.35	2.80	2.38	3.85	5.60
Standard Casing	2.10	1.75	2.85	2.35	1.90	3.15	4.50

All Prices are per lineal foot.

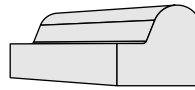
Lengths will vary between 8 and 12 feet.

Applied Mouldings

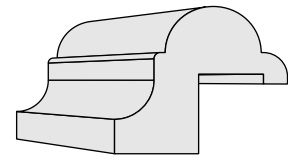
Patterns on this page are shown at actual size.



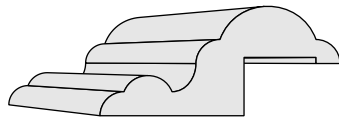
AM-01 Applied Moulding
1-1/4" W x 1/2" H
(fits P-3 Pattern)



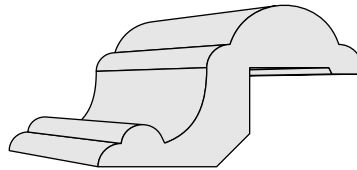
AM-02 Applied Moulding
7/16" W 7/16" H
(fits P-20 Pattern)



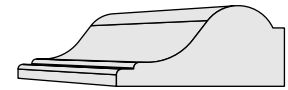
AM-03 Applied Moulding
15/16" W x 13/16" H
(fits P-19 Pattern)



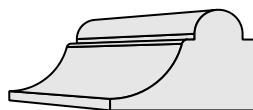
AM-04 Applied Moulding
1-1/4" W x 1/2" H
(fits P-3 Pattern)



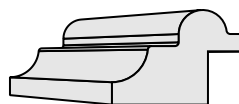
AM-09 Applied Moulding
1-1/4" W x 3/4" H
(fits P-20 Pattern)



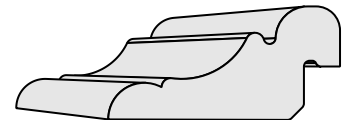
AM-22 Applied Moulding
7/8" W x 7/16" H
(fits P-19 Pattern)



AM-25 Applied Moulding
3/4" W x 9/16" H
(fits P-20 Pattern)



AM-27 Applied Moulding
11/16" W x 1/2" H
(fits P-3 Pattern)



AM-28 Applied Moulding
1-3/16" W x 9/16" H
(fits P-3 Pattern)

Cabinet Moulding Price List

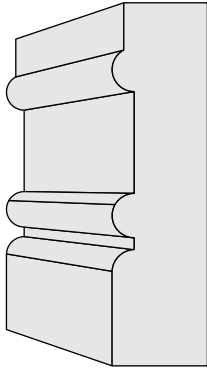
Moulding Pattern	Knotty Pine Red Oak Knotty Oak	PG Hdwd Alder Knotty Alder Rustic Cherry	Ash Cherry Knotty Cherry	Maple White Oak	Beech Rustic Beech Hickory Knotty Hickory	Mahogany (Qtr'd Sapele)	Walnut
AM-01	1.95	1.70	2.45	2.05	1.80	2.70	3.70
AM-02	1.45	1.35	1.70	1.45	1.35	1.80	2.40
AM-03	1.95	1.70	2.45	2.05	1.80	2.70	3.70
AM-04	1.95	1.70	2.45	2.05	1.80	2.70	3.70
AM-09	1.95	1.70	2.45	2.05	1.80	2.70	3.70
AM-22	1.45	1.35	1.70	1.45	1.35	1.80	2.40
AM-25	1.45	1.35	1.70	1.45	1.35	1.80	2.40
AM-27	1.45	1.35	1.70	1.45	1.35	1.80	2.40
AM-28	1.95	1.70	2.45	2.05	1.80	2.70	3.70

All Prices are per lineal foot.

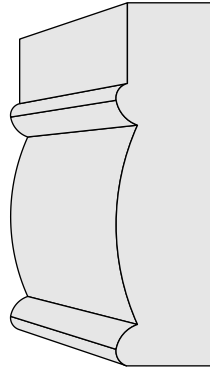
Lengths will vary between 5 and 10 feet.



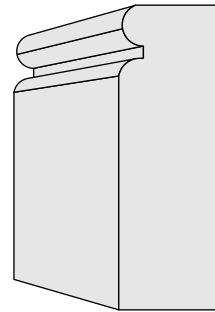
Mitre Moulding Patterns



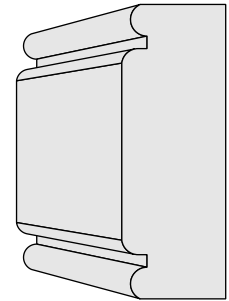
MP-1 Blank
3.063"



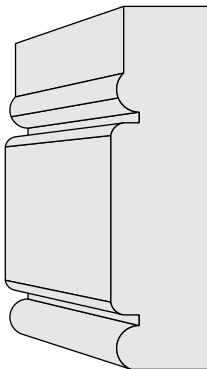
MP-2 Blank
3.063"



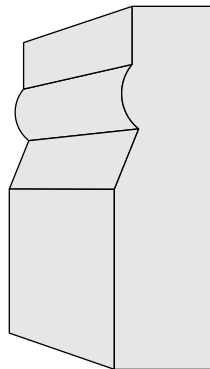
MP-3 Blank
2.250"



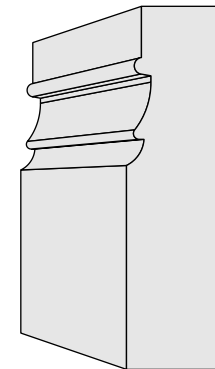
MP-5 Blank
2.250"



MP-6 Blank
3.063"



MP-9 Blank
3.125"



MP-11 Blank
3.125"

These Mitre door patterns come absent of the pattern and panel groove used for building doors.

In this state, they can be incorporated into decorative buildups, mantles, shelves, etc. that will match the architectural elements of those doors employing the same patterns.

Any square edge may be ordered with an optional Edge Detail.

Cabinet Moulding Price List

Moulding Pattern	Knotty Pine Red Oak Knotty Oak	PG Hdwd Alder Knotty Alder Rustic Cherry	Ash Cherry Knotty Cherry	Maple White Oak	Beech Rustic Beech Hickory Knotty Hickory	Mahogany (Qtr'd Sapele)	Walnut
MP-1	2.80	2.40	3.55	3.10	2.65	4.15	5.75
MP-2	2.80	2.40	3.55	3.10	2.65	4.15	5.75
MP-3	2.30	2.00	2.95	2.55	2.15	3.15	4.60
MP-5	2.30	2.00	2.95	2.55	2.15	3.15	4.60
MP-6	2.80	2.40	3.55	3.10	2.65	4.15	5.75
MP-9	2.80	2.40	3.55	3.10	2.65	4.15	5.75
MP-11	2.80	2.40	3.55	3.10	2.65	4.15	5.75

All Prices are per lineal foot.

Lengths will vary between 8 and 12 feet.

S4S Lineals

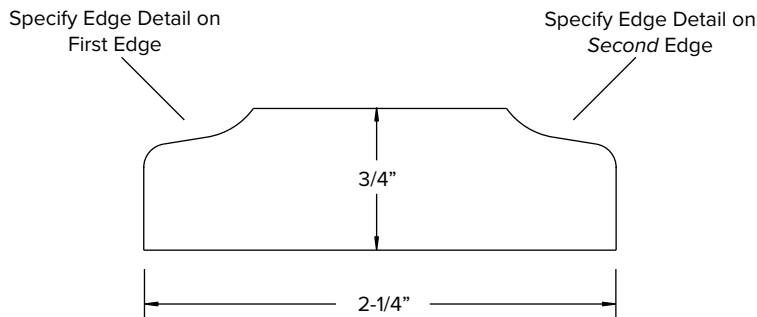
- CDS offers S4S lineals with matching edge details and species, for use as light valances or various trim applications.
- These can be added to CabDoor's Ledger Board profile to create these applications within frameless cabinet construction.
- All lineal lengths are sold in 8' - 10' lengths.
- All pieces are finished at 3/4" thick, and finish sanded.
- Optional Edge Details available on one or both sides:
(See Chart below)

S4S Lineal Price List

Moulding Pattern	Knotty Pine Red Oak Knotty Oak	PG Hdwd Alder Knotty Alder Rustic Cherry	Ash Cherry Knotty Cherry	Maple White Oak	Beech Rustic Beech Hickory Knotty Hickory	QS Red Oak QS White Oak Mahogany (Qtr'd Sapele)	Walnut
1.000 S4S	1.70	1.55	2.20	2.00	1.65	2.45	3.05
1.250 S4S	1.80	1.65	2.45	2.20	1.80	2.60	3.50
1.500 S4S	1.90	1.75	2.70	2.40	1.90	2.75	3.80
1.750 S4S	2.05	1.85	2.90	2.60	2.05	2.95	4.00
2.000 S4S	2.15	1.95	3.15	2.75	2.15	3.10	4.40
2.250 S4S	2.30	2.05	3.40	2.95	2.30	3.35	4.75
2.500 S4S	2.40	2.15	3.65	3.15	2.40	3.50	5.05
2.750 S4S	2.55	2.25	3.85	3.35	2.55	3.70	5.35
3.000 S4S	2.65	2.35	4.10	3.55	2.65	3.85	5.70
3.250 S4S	2.80	2.40	4.35	3.70	2.75	4.05	6.00
3.500 S4S	2.90	2.55	4.60	3.90	2.90	4.20	6.35
3.750 S4S	3.00	2.65	4.80	4.10	3.00	4.35	6.65
4.000 S4S	3.15	2.75	5.05	4.30	3.15	4.55	7.10
4.250 S4S	3.30	2.85	5.30	4.50	3.25	4.75	7.30
4.500 S4S	3.40	2.95	5.55	4.70	3.35	4.90	7.60

"How to Order"

Lineal Size	Specify
Species	Specify
Qty Lin. Ft.	Specify
Edge Detail <i>First Side</i>	Specify
Edge Detail <i>Second Side</i>	Specify



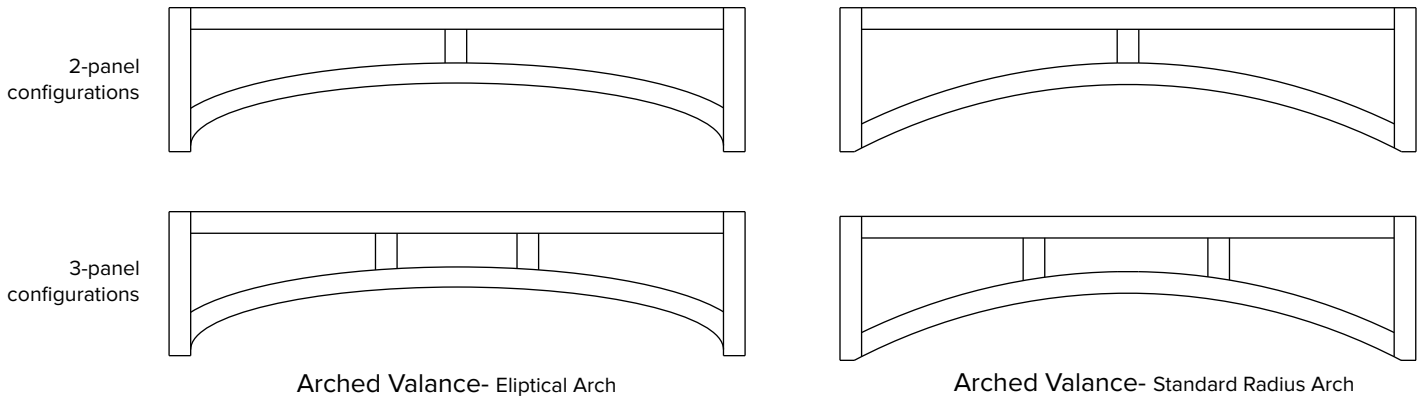
2-1/4" S4S Lineal with E-2 Edge Detail on BOTH sides Shown

S4S Edge Details

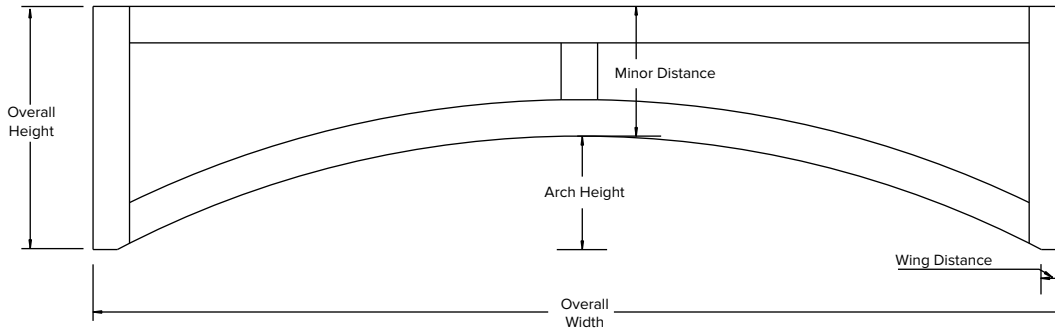
Edge Detail	Min. Width Edge on ONE side	Min. Width Edge on TWO sides
E-2	1.250	1.500
E-3	1.250	1.500
E-4	1.250	1.500
E-5	1.000	1.000
E-6	1.000	1.000
E-7	1.000	1.250
E-10	1.000	1.250
E-11	1.250	1.500
E-20	1.000	1.000
E-25	1.000	1.000
E-32	2.250	3.000
E-34	1.250	1.500
E-40	1.250	1.500
E-42	1.000	1.250
E-45	1.250	1.500
E-46	1.000	1.000



Arched Valance Information



Arched Valance Terminology



Arched Valance Minimums

Minimum Width-	24"
Minimum Height-	12"
Minimum Minor Distance-	8"
Minimum Wing Distance-	1/4"
Maximum Width-	96"
Maximum Height-	42"

Optional Profiles Available:

Inside Profile Usage Group "A"

Panel Profile Usage Group "A"

See the PureWood™ Patterns Guide accompanying this catalog.

Optional Edge Details Available:

See PureWood™ Patterns Guide accompanying this catalog.

Arched Valance SF Pricing

Species	Raised Panel	Inset Panel
Alder	18.05	13.95
Ash	25.67	18.80
Beech	18.05	13.95
CVG Fir	27.58	19.86
Eastern Cherry	25.67	18.80
Eastern Maple	23.43	16.24
Knotty Alder	18.05	13.95
Knotty Cherry	25.67	N/A
Knotty Hickory	21.41	16.29
Knotty Oak	19.65	N/A
Knotty Pine	19.65	13.26
Mahogany (Qtr'd Sapele)	29.55	21.62
Natural Hickory	21.41	16.29
Northern Red Oak	19.65	13.26
Paint Grade Hardwood	18.05	N/A
Paint Grade Hdwd w/ MDF Panel	11.66	11.66
Rustic Beech	18.05	13.95
Rustic Cherry	18.05	13.95
Walnut	35.85	23.85
White Oak	25.67	18.80

Pricing Note:

When ordering, review the Ordering Templates provided in pages 5.1 through 5.4 in order to provide CabDoor Customer Service all the information required to build these parts.

Additional custom charges will apply. Please review the ordering templates 5.1 - 5.4

Contact your Customer Service Rep with any questions.

Key Info Regarding Ordering Templates

The following pages are provided to aid in the ordering of typical architectural components required for that custom installation. Wall paneling, special end panels, and arched panels are among the components available.

By completing the template(s) for your particular situation, costs for that particular part can be calculated and become more predictable, making you more profitable.

Illustrated, are the key components to these templates which, when utilized, will provide the best value and aid in placing your order.

Assembly Diagram

This is a typical diagram, and as you may require "un-equal" sizes of parts within the assembly, the drawing will be sufficient, provided all Dimension Boxes are filled in.

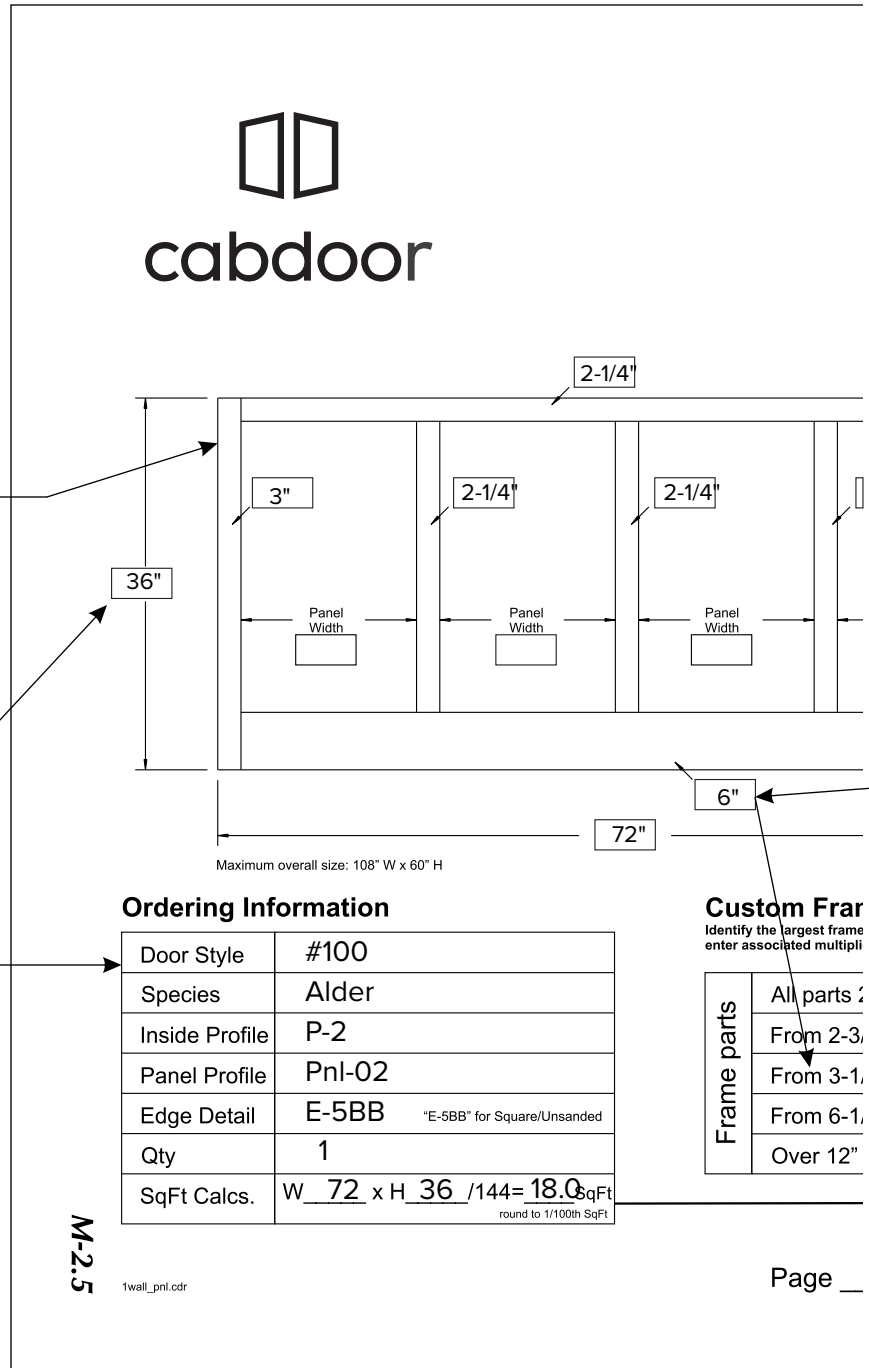
Dimension Boxes

Please fill in all boxes with your custom information for your desired assembly.

Order Info Box

Please fill information concerning the style and patterns required for the assembly...

SF calculations will be required if you want to calculate the assembly cost.



The diagram shows a wall paneling assembly with the following dimensions and labels:

- Overall height: 36"
- Overall width: 72"
- Maximum overall size: 108" W x 60" H
- Panel spacing: 2-1/4"
- Panel width: 3"
- Frame width: 6"

Ordering Information

Door Style	#100
Species	Alder
Inside Profile	P-2
Panel Profile	Pnl-02
Edge Detail	E-5BB <small>"E-5BB" for Square/Unsanded</small>
Qty	1
SqFt Calcs.	W <u>72</u> x H <u>36</u> /144= <u>18.0</u> SqFt <small>round to 1/100th SqFt</small>

Custom Frame
Identify the largest frame enter associated multiplier

Frame parts	All parts 2
	From 2-3,
	From 3-1,
	From 6-1,
	Over 12"

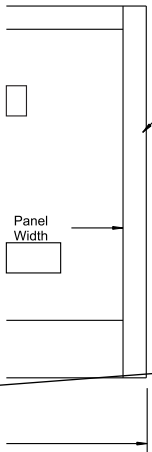
M-2.5
1wall_pnl.cdr



PureWood™ Millwork

Wall Panel - Square 4-Panel Ordering Template

Customer # ABC123 Cust. Name ABC Cabinet Company
 Ordered by: John Doe
 Fax this sheet to (503) 363-6510



Panel Widths
 Equal, or
 Specified
(fill in shaded area)

Due to panel expansion, recommended Panel Width with solid panels should not exceed 24".

Panel Sizes (multi-panel assemblies)

In multi-panel assemblies, check the box if all panels are to be the same size. If not, fill in the dimension boxes as to what the specific sizes of each panel as required by your design.

Custom Frame Sizes

Review chart for the largest frame component involved in the assembly, and move that "multiplier" to the Cost Calculations Box as illustrated by the arrow.

Sizes- Price Chart

in the configuration and of Panel Cost Calculations

4" Width	1.00
to 3" Widths	1.15
to 6" Widths	1.25
to 12" Widths	1.35
to 18" Widths	1.45

Wall Panel Cost Calculations

1- Enter Door Style SqFt Pricing	\$ 10.60
2- Custom Frame Upchg (from Chart)	1.25
3- Adjusted SqFt Cost (Line1 x Line2)	\$ 13.25
4- Total SqFt of Wall Panel (from Chart)	18.0 SqFt
5- Subtotal (Line3 x Line4)	\$ 238.50
6- Custom Charge	\$ 135.00
7- Total Cost (Add Lines 5 & 6)	\$ 373.50

Total Cost does not include Pre-finishing charges or other options.

Cost Calculations Box

Fill in all blanks to calculate the cost of the component... Costs are calculated on a "one item" basis.

__ of __

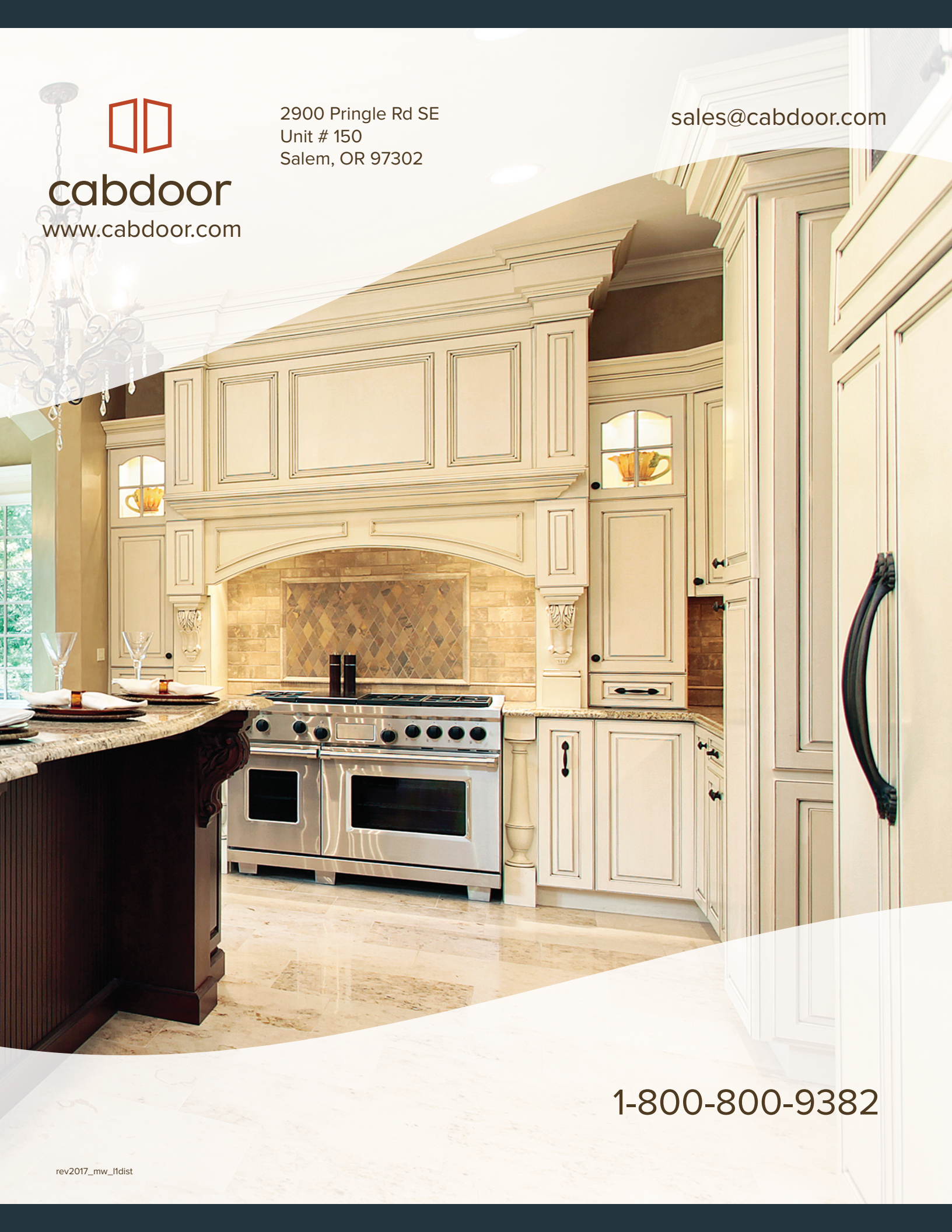


2900 Pringle Rd SE
Unit # 150
Salem, OR 97302

sales@cabdoor.com

cabdoor

www.cabdoor.com



1-800-800-9382