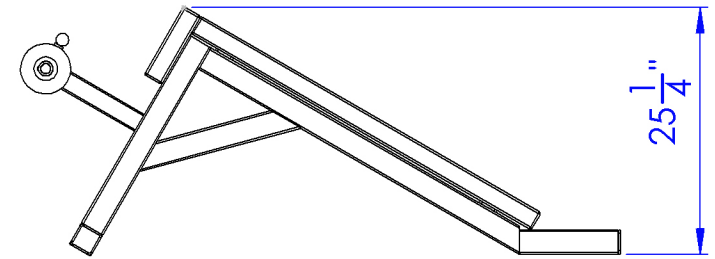


ADJUSTABLE FOR VARIABLE RESISTANCE



STEEL

-0.188 WALL (3/16") STEEL ON ALL PRODUCTS
56% THICKER THAN 0.120 AKA 11 GAUGE

POWDER COATING

-HYBRID TEXTURE POWDER COATING FOR INCREASED DURABILITY

UPHOLSTERY / PADDING

-DOUBLE STITCHED SEAMS
-3/4" PLYWOOD
-T-NUT FASTENERS
-1" SUPER DENSE CLOSED CELL NEOPRENE PADDING

LINEAL BALL BEARINGS

-PRECISION GROUND STEEL SEALED 1", 1.25", & 1.5"
RIDING ON ROCKWALL 60 SHAFTING

SOLID OAK

-3/4" SOLID TONGUE & GROOVE

STAINLESS STEEL

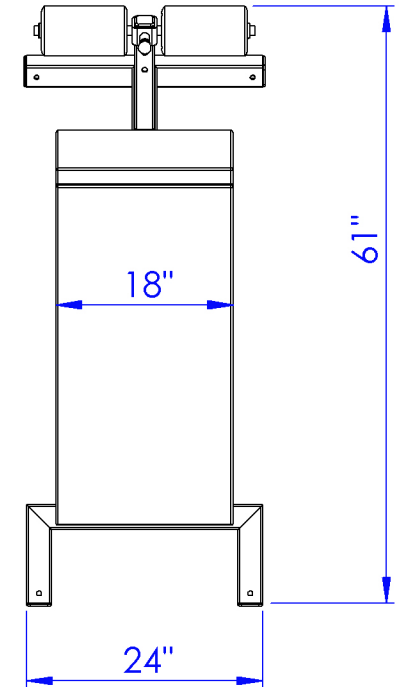
-ON ALL ADJUSTABLE PARTS

WEIGHT STACKS

-1" SOLID ROUND GUIDE ROD
W/INDUSTRIAL CHROME PLATING
-100% STEEL SELECTORIZED
WEIGHT STACK PLATES

CUSTOM COLORS AVAILABLE

CUSTOM DESIGNS AVAILABLE



PRODUCT #
108R

PRODUCT WEIGHT:
158LB

SAMSON EQUIPMENT, INC.
1-800-4-SAMSON
SAMSONEQUIPMENT.COM

ROMAN CHAIR



SAMSON EQUIPMENT
MADE IN AMERICA