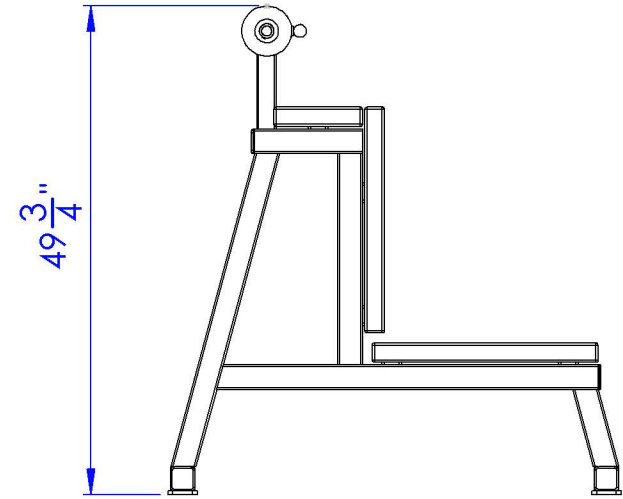
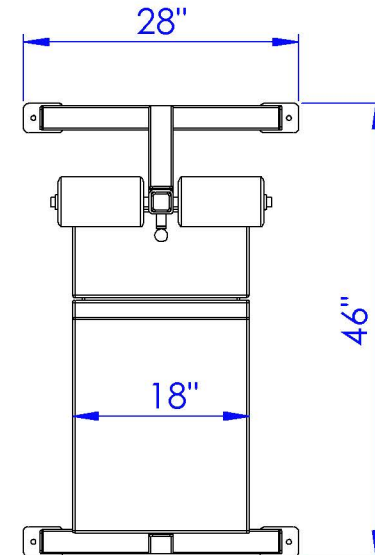




ADJUSTABLE FOR VARIABLE RESISTANCE



49 <sup>3</sup>/<sub>4</sub>"



28"

46"

18"

**STEEL**

-0.188 WALL (3/16") STEEL ON ALL PRODUCTS  
56% THICKER THAN 0.120 AKA 11 GAUGE

**POWDER COATING**

-HYBRID TEXTURE POWDER COATING FOR  
INCREASED DURABILITY

**UPHOLSTERY / PADDING**

-DOUBLE STITCHED SEAMS  
-3/4" PLYWOOD  
-T-NUT FASTENERS  
-1" SUPER DENSE CLOSED CELL NEOPRENE PADDING

**LINEAL BALL BEARINGS**

-PRECISION GROUND STEEL SEALED 1", 1.25", & 1.5"  
RIDING ON ROCKWALL 60 SHAFTING

**SOLID OAK**

-3/4" SOLID TONGUE & GROOVE

**STAINLESS STEEL**

-ON ALL ADJUSTABLE PARTS

**WEIGHT STACKS**

-1" SOLID ROUND GUIDE ROD  
W/INDUSTRIAL CHROME PLATING  
-100% STEEL SELECTORIZED  
WEIGHT STACK PLATES

**CUSTOM COLORS AVAILABLE**

**CUSTOM DESIGNS AVAILABLE**

**PRODUCT #**

110

**PRODUCT WEIGHT:**

189LB

SAMSON EQUIPMENT, INC.

1-800-4-SAMSON

SAMSONEQUIPMENT.COM

# CRUNCH SIT UP BENCH



**SAMSON EQUIPMENT**  
MADE IN AMERICA