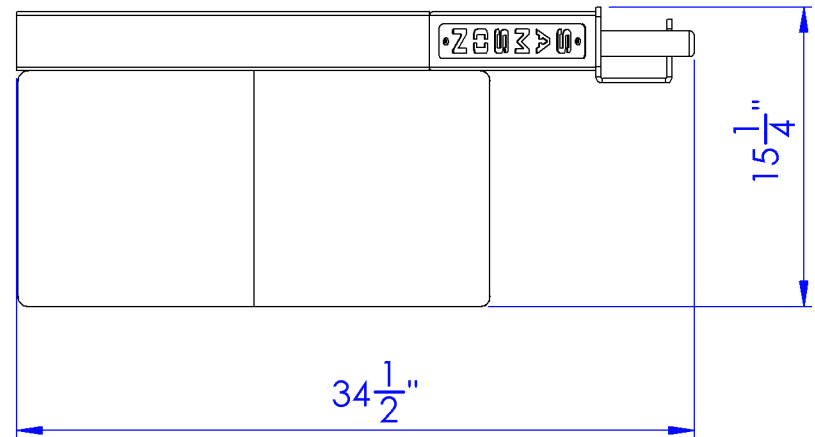
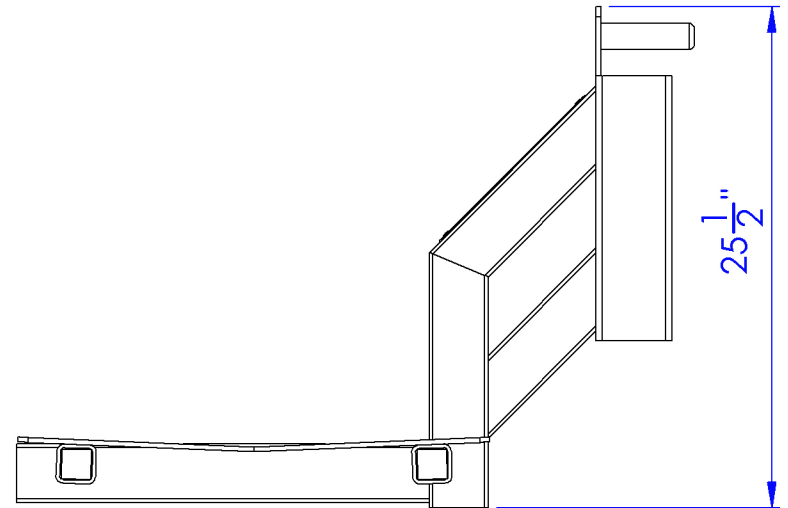
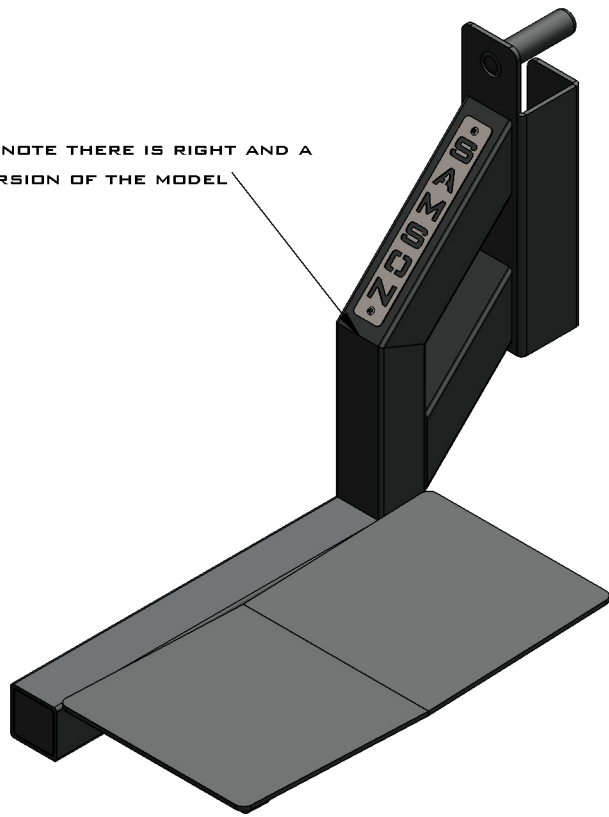


PLEASE NOTE THERE IS RIGHT AND A LEFT VERSION OF THE MODEL



- STEEL**
  - 0.188 WALL (3/16") STEEL ON ALL PRODUCTS
  - 56% THICKER THAN 0.120 AKA 11 GAUGE
- POWDER COATING**
  - HYBRID TEXTURE POWDER COATING FOR INCREASED DURABILITY
- UPHOLSTERY / PADDING**
  - DOUBLE STITCHED SEAMS
  - 3/4" PLYWOOD
  - T-NUT FASTENERS
  - 1" SUPER DENSE CLOSED CELL NEOPRENE PADDING
- STEEL SEALED BALL BEARINGS**
  - PRECISION GROUND STEEL SEALED 1", 1.25", & 1.5"
  - RIDING ON ROCKWALL 60 SHAFTING
- SOLID OAK**
  - 3/4" SOLID TONGUE & GROOVE
- STAINLESS STEEL**
  - ON ALL ADJUSTABLE PARTS
- WEIGHT STACKS**
  - 1" SOLID ROUND GUIDE ROD
  - W/INDUSTRIAL CHROME PLATING
  - 100% STEEL SELECTORIZED WEIGHT STACK PLATES
- CUSTOM COLORS AVAILABLE**
- CUSTOM DESIGNS AVAILABLE**

<b>PRODUCT #</b> TSCOOP
<b>PRODUCT WEIGHT:</b> 72LB
<b>SAMSON EQUIPMENT, INC.</b> 1-800-4-SAMSON SAMSONEQUIPMENT.COM

# TWIST LOCK TECHNIQUE SCOOPS



**SAMSON EQUIPMENT**  
MADE IN AMERICA