

Adjustable handles

Adjustable for squat positioning

Steel

-0.188 Wall (3/16") Steel On ALL Products
56% Thicker than 0.120 AKA 11 Gauge

Powder Coating

-Hybrid Texture Powder Coating For Increased Durability

Upholstery / Padding

-Double Stitched Seams
-3/4" Plywood
-T-Nut Fasteners
-1" Super Dense Closed Cell Neoprene Padding

Steel Sealed Ball Bearings

-Precision Ground Steel Sealed 1", 1.25", & 1.5"
Riding on Rockwall 60 Shafting

Solid Oak

-3/4" Solid Tongue & Groove

Stainless Steel

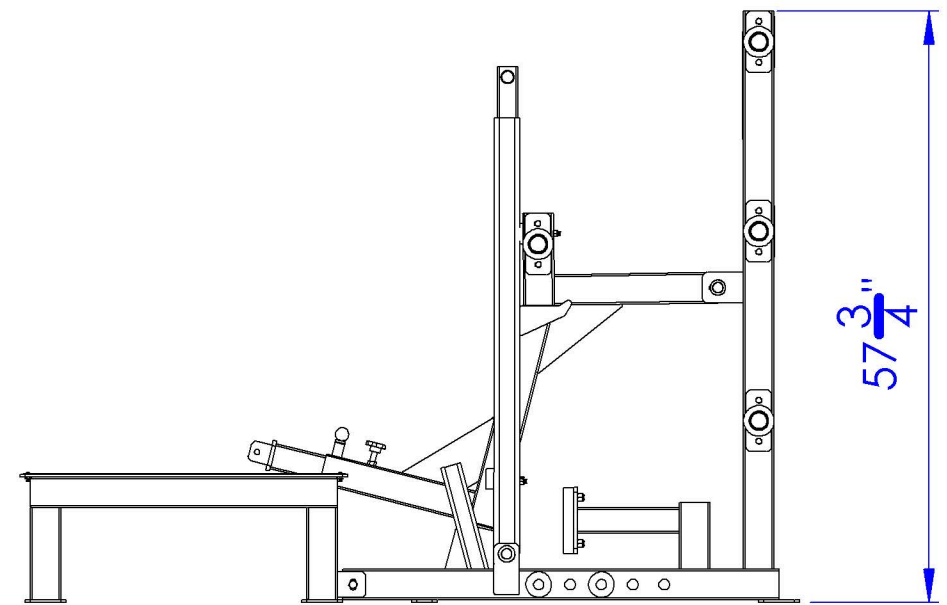
-On ALL Adjustable Parts

Weight Stacks

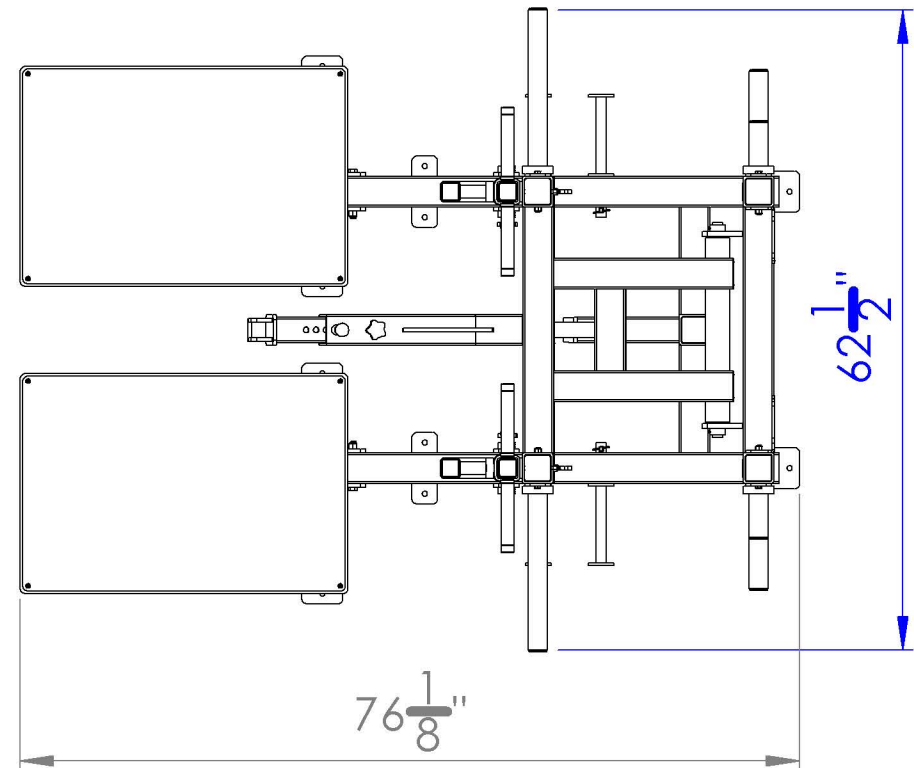
-1" Solid Round Guide Rod w/Industrial Chrome Plating
-100% Steel Selectorized Weight Stack Plates

Custom Colors Available

Custom Designs Available



57 ³/₄"



62 ¹/₂"

76 ¹/₈"

Product # 927
Product Weight: 750lb
Samson Equipment, Inc. 1-800-4-SAMSON samsonequipment.com

Belt Squat with Elevated Platform

