



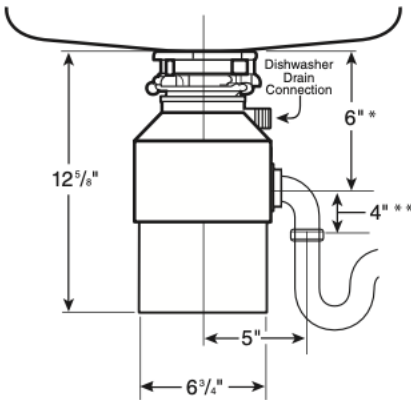
Food Waste Disposers

CONTRACTOR SERIES

Contractor 1000™



Dimensions



* Distance from bottom of sink to center line of disposer outlet. Add 1/2" when stainless steel sinks are used.

** Length of tailpipe from center line of disposer outlet to end of tailpipe. NOTE: Plumb waste line to prevent standing water in disposer motor housing.

Job Specifications



Submittal Sheet

This model offers the following features and benefits:

- 1.0 Horsepower Heavy Duty Motor (Quiet Dura-Drive® Induction Motor)
- 8-Year We Come To You® In-Home Limited Warranty
- Stainless Steel Grind Components
- Quick Lock® mounting for fast, easy installation
- Includes removable Quiet Collar® Sink Baffle for easy cleaning, polished stainless steel sink flange and 1-piece stainless steel stopper
- Available with or without a factory installed power cord

Sample Specification

Food Waste Disposer(s) shall be InSinkErator Contractor 1000 continuous feed, with 1.0 H.P. motor, stainless steel grinding elements with two stainless steel 360° swivel lugs. Self-service wrench.

Available with or without a factory installed power cord.

Warranty:
8-Year parts and in-home service.

* The complete InSinkErator Contractor 333 warranty is included in the Care & Use Booklet packed with each unit.



Food waste is roughly 80% water. By using your disposal regularly, you can help divert food waste from landfills and reduce greenhouse gas emissions. Make sustainability a family affair by using your disposal. After all, the smallest changes can make the biggest impact.

Specifications

Type of Feed	Continuous
On/Off Control	Wall Switch
Motor	Single Phase
HP	1.0
Volts	120
HZ	60
RPM	1725
Amp. (Avg. Load)	10.2
Time Rating	Intermittent
Lubrication	Permanently Lubricated Upper & Lower Bearings
Shipping Weight (Approx.)	17 lbs. 5 oz. (without cord) 17 lbs. 9 oz. (with cord)
Unit Finish	Black
Overall Height	12-5/8"
Grind Chamber Capacity	26 oz.
Motor Protection	Manual Reset Overload
Average Water Usage	Approx. 1 Gallon per Person Per Day
Average Electrical Usage	3-4 KWh per Year
Drain Connection	1-1/2" Cushioned Slip Joint
Dishwasher Drain Connection	Yes
Factory Installed Power Cord	Available with or without



The Emerson logo is a trademark and service mark of Emerson Electric Co. The mounting collar configuration is a trademark of Emerson Electric Co.

InSinkErator may make improvements and/or changes in the specifications at any time, in its sole discretion, without notice or obligation and further reserves the right to change or discontinue models.

1-800-558-5700
www.insinkerator.com

