



# PREMIUM HOSES

## PREMIUM HIGH PRESSURE FRAC HOSES

### SMALL BORE BUILT-IN END HIGH PRESSURE FRAC HOSE



Optional External SS Armor

Used primarily for frac pump and pump down discharge during hydraulic fracturing operations.

Compared to Iron, hoses eliminate ~2,500 hammer joints per fleet, reduce rig up and rig down time by ~11 hours, and reduce recertification cost by ~75%.

Compared to crimped end hoses, Premium built-in end hoses have a smooth bore, eliminating common issues caused by the internal mandrel required of the crimped end design; issues such as increased velocity and erosion of the mandrel, leading to leaks and end connection blowouts. Premium built-in end hoses have ~3x the life expectancy of crimped ends for a comparable price.



Hammer Union



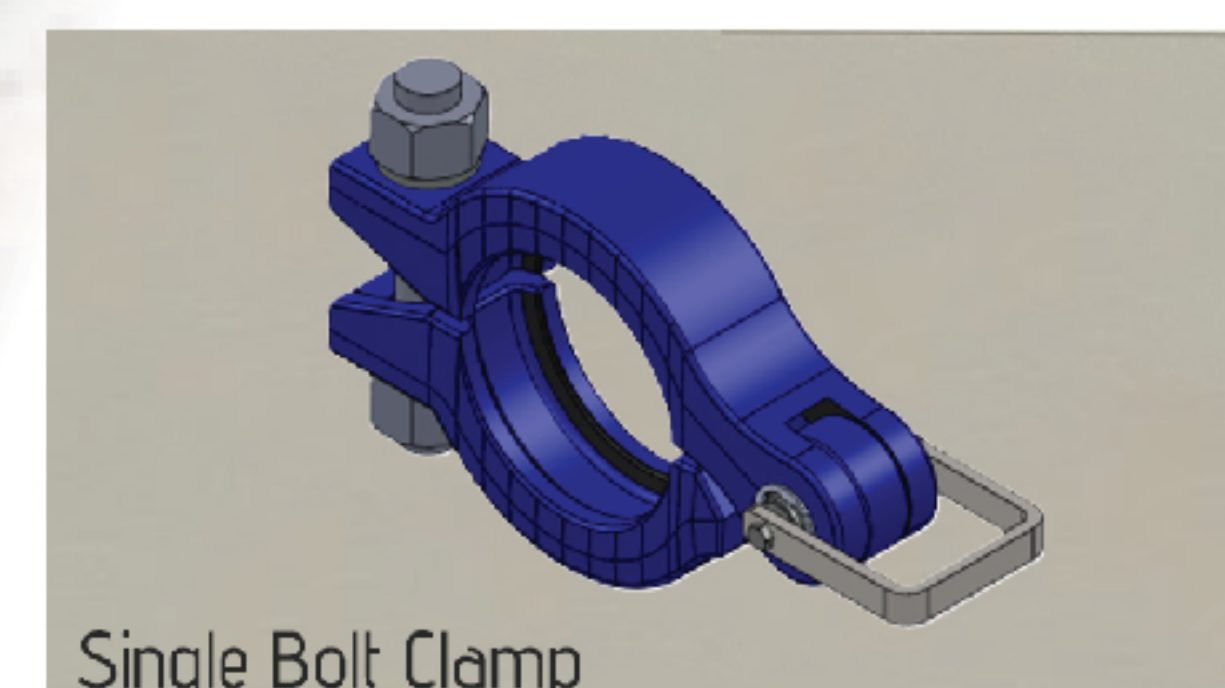
API 6A Flange



API 16A Hub



Custom Hub



Single Bolt Clamp

Freudenberg Hub  
Seals & Techlok  
Clamps Available

### LARGE BORE BUILT-IN END HIGH PRESSURE FRAC HOSE



Used to improve efficiencies and reduce cost of alignment of frac stacks and wellheads, missiles and pressure control equipment, and long monoline runs when pressure pumping equipment is on a central pad pumping to satellite pads. Available with "bearing type" swivel ends for further ease of alignment.



# PREMIUM HP FRAC HOSES

HIGH PRESSURE BUILT-IN END FRAC HOSES						
INTERNAL DIAMETER	OUTSIDE DIAMETER	WORKING PRESSURE	TEST PRESSURE	MAX FLOWRATE	WEIGHT	MBR OPERATING
(in)	(in)	(psi)	(psi)	(bbls/min)	(lbs/ft)	(in)
2.00	4.40	15,000	22,500	13.80	17.10	32.00
2.50	5.10	15,000	22,500	21.80	21.00	35.50
2.72	5.70	15,000	22,500	25.40	27.70	39.40
3.00	6.10	15,000	22,500	30.80	31.30	47.24
3.50	7.00	15,000	22,500	42.20	40.90	51.18
4.00	7.40	15,000	22,500	55.50	45.20	55.12
5.12	9.30	15,000	22,500	110.10	73.90	59.10
6.00	10.91	15,000	22,500	150.60	97.40	66.93
7.00	13.20	15,000	22,500	211.20	130.20	78.74
2.00	5.40	20,000	30,000	13.00	29.90	39.40
2.50	5.10	20,000	30,000	26.70	36.00	43.31
2.72	5.70	20,000	30,000	31.00	37.00	47.00
3.00	6.90	20,000	30,000	37.60	39.70	52.00
4.00	8.10	20,000	30,000	55.50	62.00	66.93
5.12	11.30	20,000	30,000	110.10	105.10	70.87



10810 STATE HWY 191, UNIT 3  
MIDLAND, TX 79707