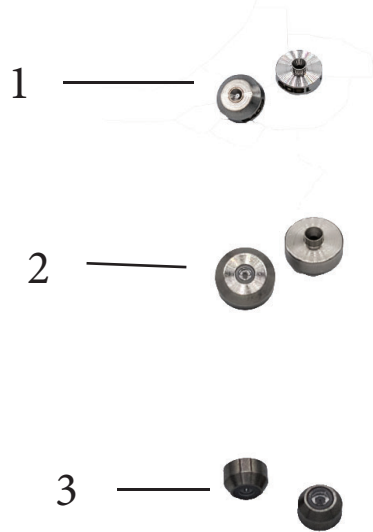


Ranger MFG

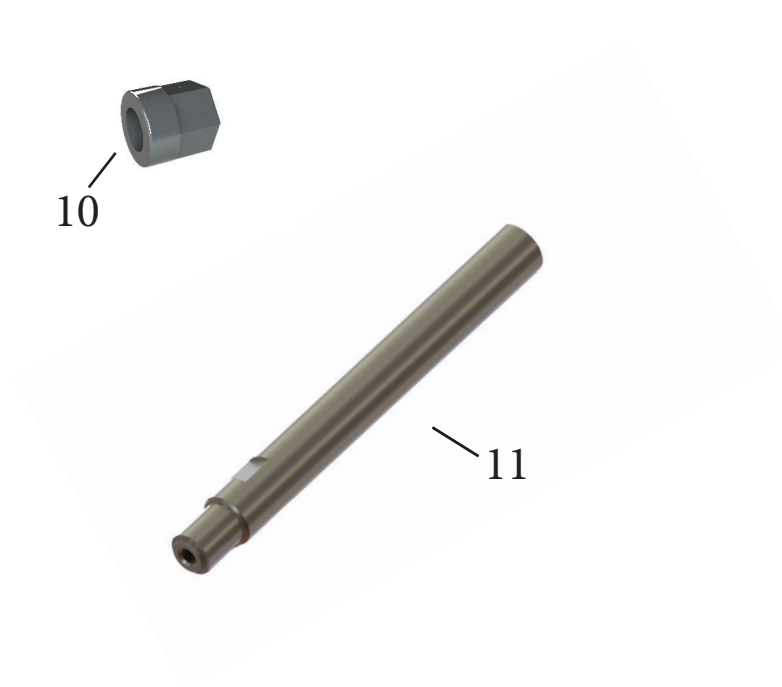
MP WaterJet Consumable Parts Catalog

Ranger Manufacturing • 770-536-8031 • parts@rangermfg.com

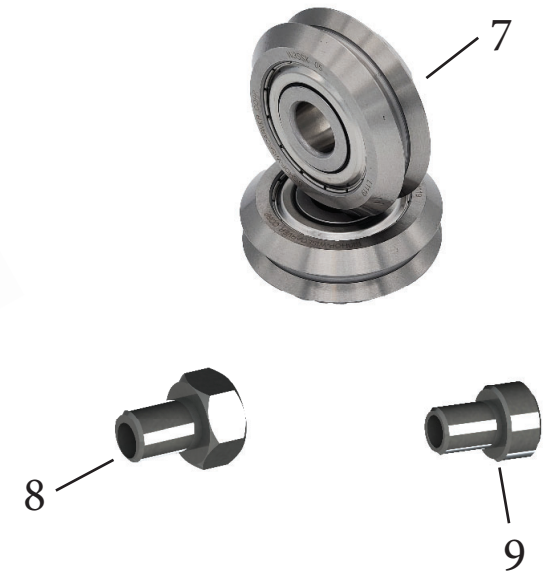
Orifices



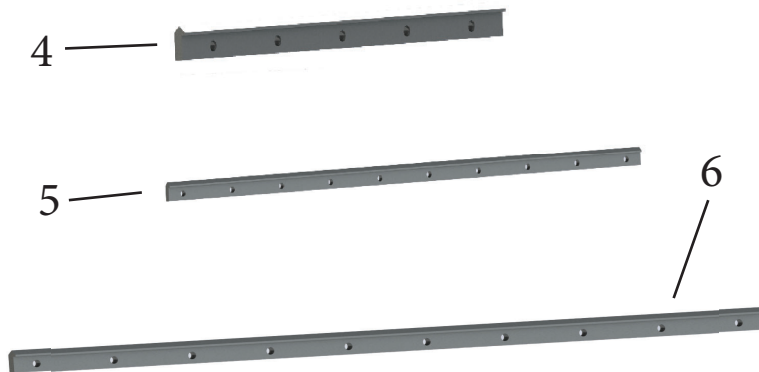
Nozzle and Nozzle Nuts



Vee Wheels & Journals



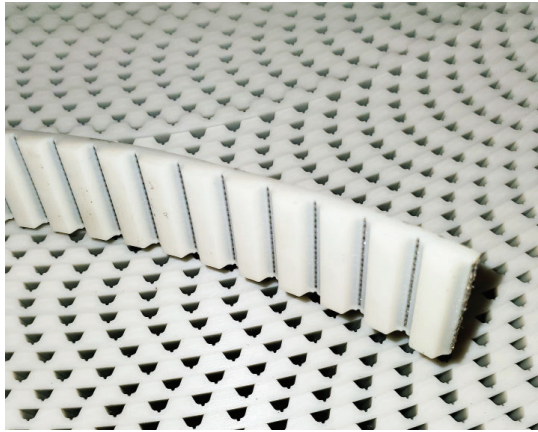
Tracks



Item	Description	Part Number
1	Orifice, Sapphire, .004-.010"	FP-15-0175-##
2	Orifice, TetraCore, .004-.010"	FP-15-0180-##
3	Orifice, Stationary, .004"	FP-15-0178-04
4	Track, Small Carriage	FP-20-0221
5	Track, Lane 1	FP-20-0222
6	Track, Lane 2	FP-20-0223
7	Vee-Wheel, Large (Size 3)	FP-70-0051
8	Journal, Eccentric	FP-20-0208
9	Journal, Concentric	FP-20-0209
10	Nozzle Nut, MP Style	FP-15-0080
11	Nozzle Body, MP Style	FP-15-0135

Misc. Sprockets and Rollers

Belts



1

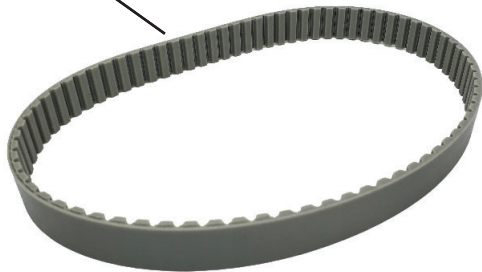


4



5

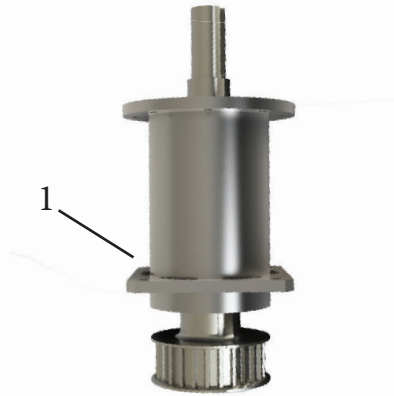
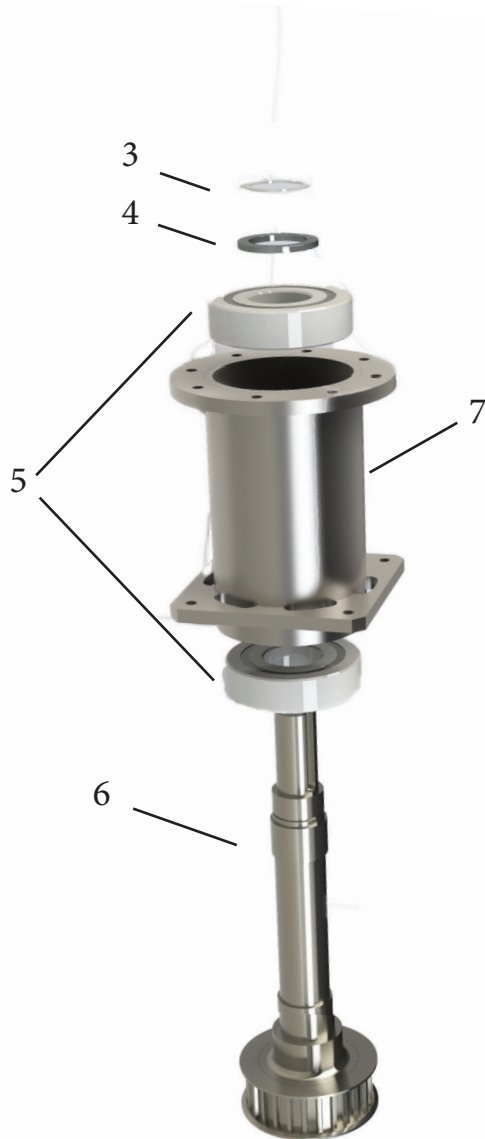
2&3



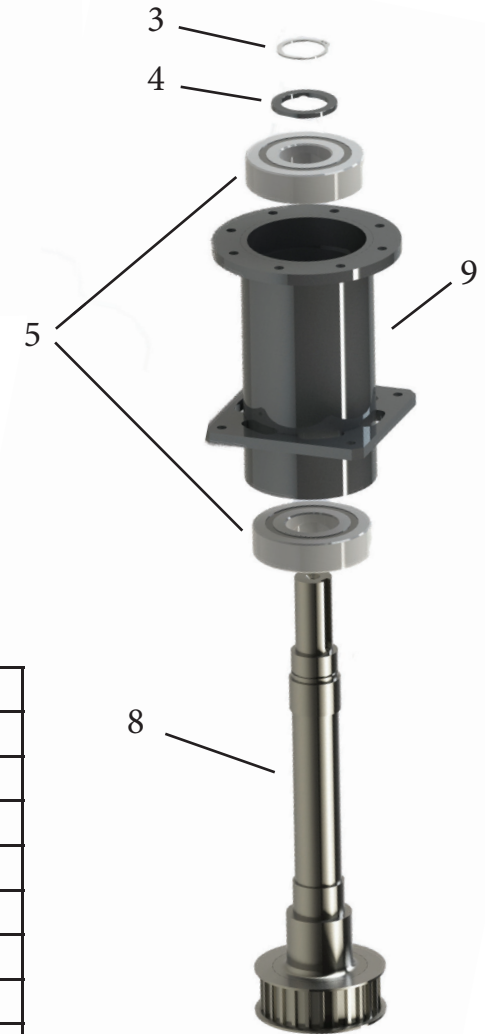
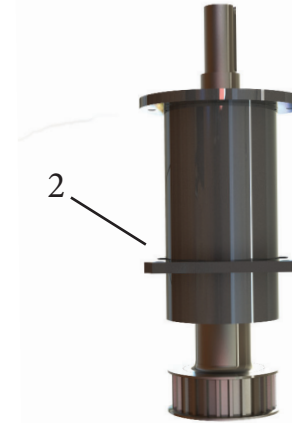
Item	Description	Part Number
1	AT10 Actuator Belt (by foot)	FP-70-0001
2	Actuator Belt 600mm	FP-70-0025
3	Actuator Belt 780mm	FP-70-0035
4	Assembly, Drive Roll Sprocket	FP-80-0200
5	Sprocket, Encoder Shaft	FP-30-0203

Tower Assembly and Parts

Y-Axis Tower



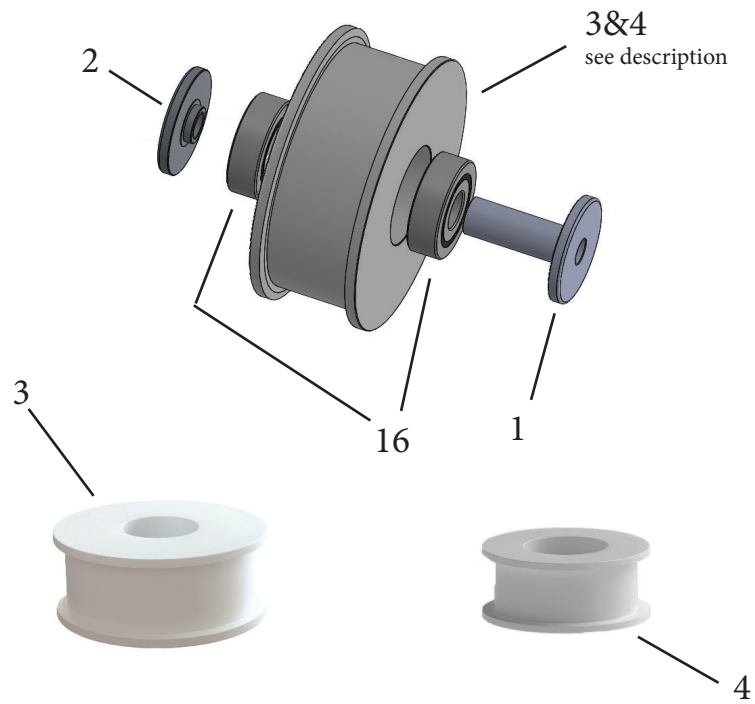
X-Axis Tower



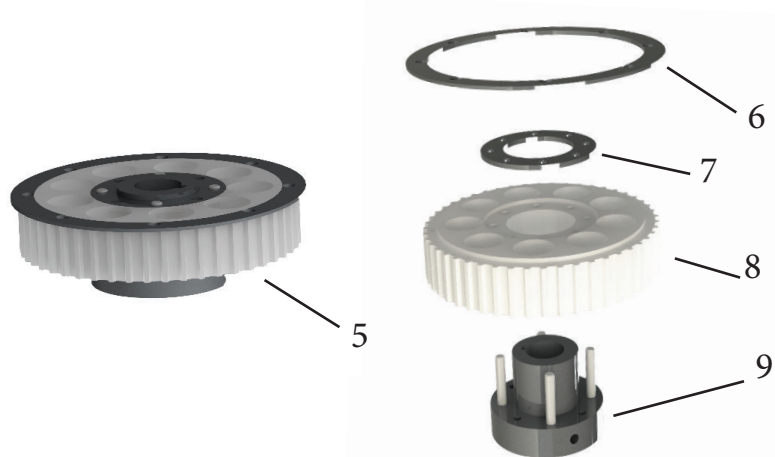
Item	Description	Part Number
1	Assembly, Y-Axis Tower (short)	FP-80-0202
2	Assembly, X-Axis Tower (long)	FP-80-0201
3	Snap Ring, Tower	16-0050
4	Spacer, Tower	FP-20-0203
5	Bearing, Tower	FP-70-0015
6	Shaft, Y-Axis (short)	FP-20-0214
7	Housing, Y-Axis Tower (short)	FP-20-0213
8	Shaft, X-Axis (long)	FP-20-0215
9	Housing, X-Axis Tower (long)	FP-20-0212

Idler Assemblies

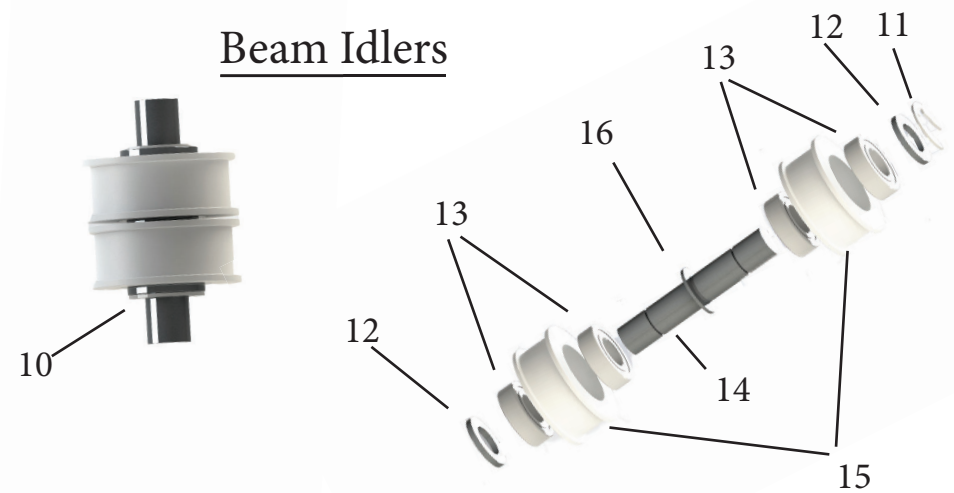
Carriage Idlers



Tower Pulley Assembly



Beam Idlers



Item	Description	Part Number
1	Bushing, Long Stem	FP-20-0200
2	Bushing, Short Stem	FP-20-0201
3	Idler, Back Bend, Carriage	FP-30-0201
4	Idler, Nose End, Carriage	FP-30-0200
5	Assembly, Sprocket, Tansfer Tower Top	FP-80-0204
6	Ring, Belt Retaining	FP-20-0219
7	Ring, Support, Sprocket	FP-20-0218
8	Sprocket, 48 teeth, Transfer Tower	FP-30-0211
9	Hub, Transfer Tower Sprocket	FP-20-0220
10	Assembly, Bean End Idler	FP-80-0205
11	Snap Ring	
12	Spacer, 1.75OD	FP-20-0203
13	Bearing, Beam Idler, SS	FP-70-0018
14	Shaft, Beam End Idler	FP-20-0202
15	Pulley, Beam End Idler	FP-30-0202
16	Bearing, Backbend and Nose Idler, SS	FP-70-0017



770-536-8031

parts@rangermfg.com

Located just 1 hour Northeast of Atlanta, Ranger Manufacturing is your all in one source for OEM parts. Are you having trouble with your current provider? Long lead times, expensive overseas manufacturer, or just need local guaranteed stock, then Ranger Manufacturing is the shop for you. OEM quality with the pricing and availability you need. Give us a call to discuss your parts needs today!

