

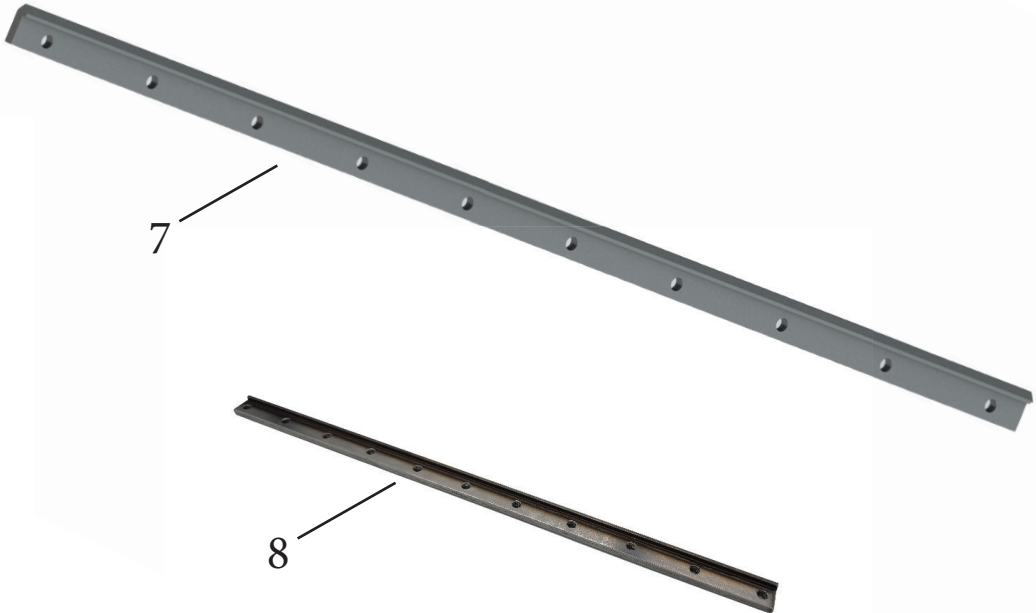
Ranger MFG

WaterJet Parts Catalog

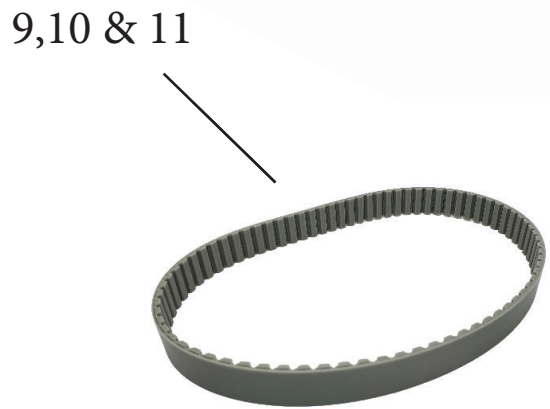
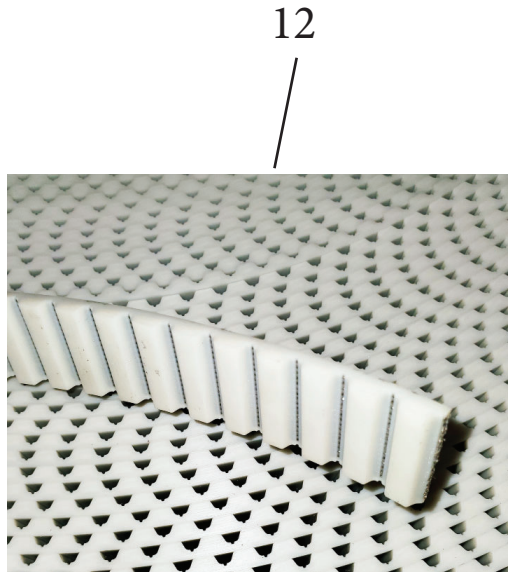
JBT - DSI 800 Series

Ranger Manufacturing • 770-536-8031 • parts@rangermfg.com



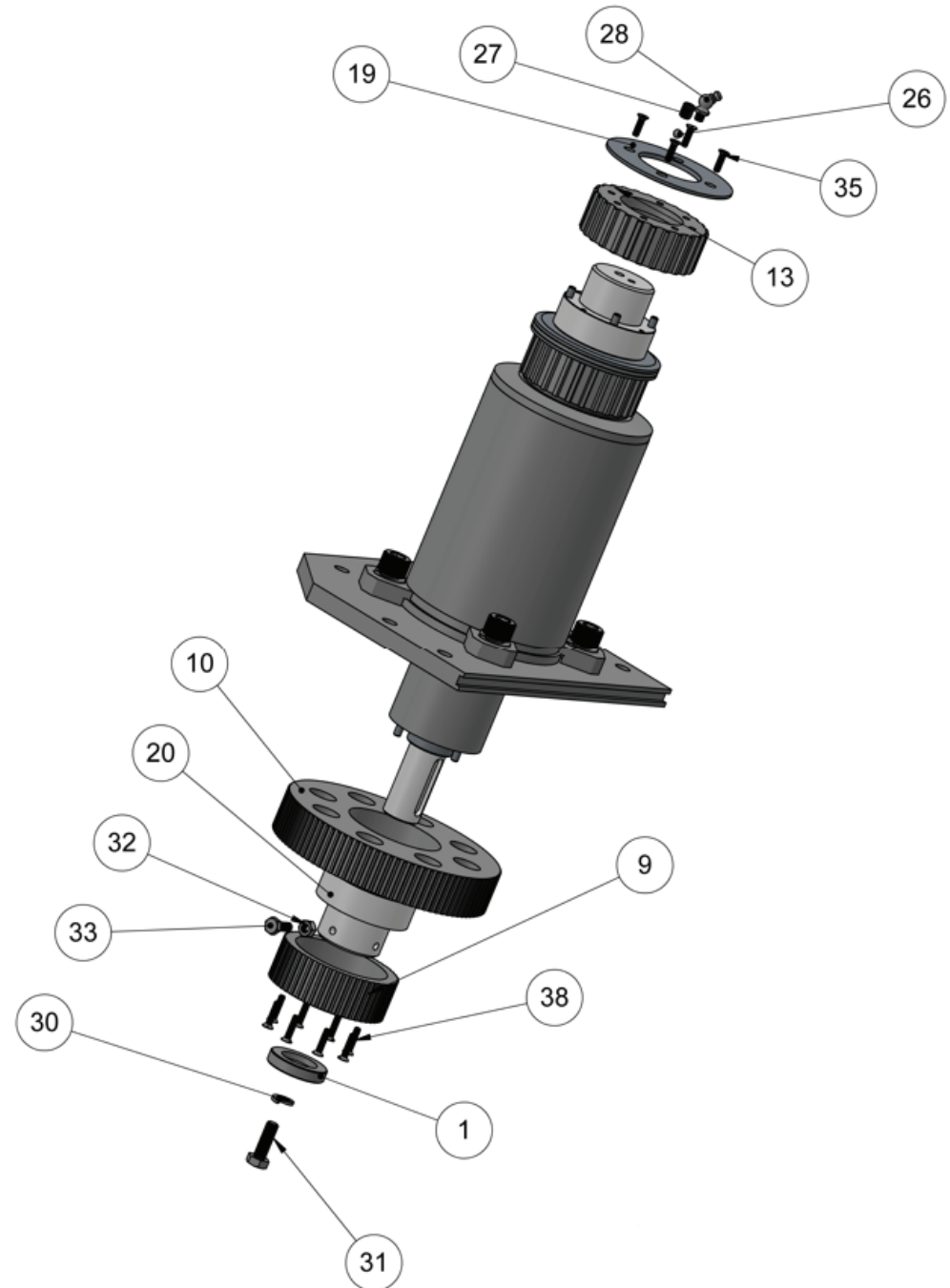


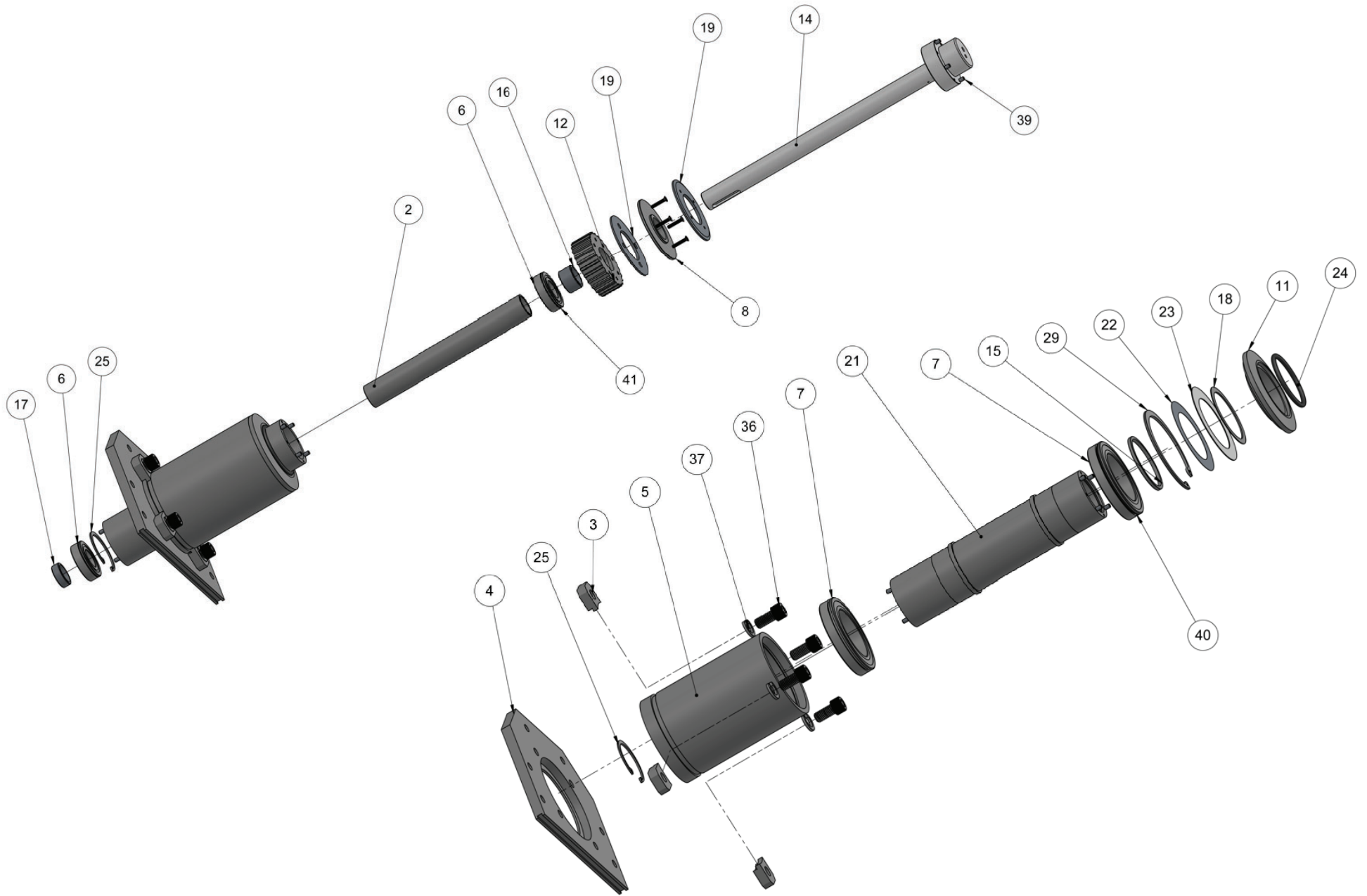
Item	Description	Part Number
1	Orifice, Sapphire (.005-.009")	FP-15-0175-xx
2	Orifice, TetraCore (.005-.009)	FP-15-0180-xx
3	Orifice, Diamond (.005-.009)	FP-15-0181-xx
4	Orifice, Stationary (.004-.005)	FP-15-0178-xx
5	Vee Wheel, Size 2 (small)	FP-70-0050
6	Vee Wheel, Size 3 (large)	FP-70-0051
7	Track, Large	FP-20-0234
8	Track, Small (11-hole)	FP-20-0230
9	Belt, Timing, AT5-500mm	FP-70-0045
10	Belt, Timing, AT5-975mm	FP-70-0046
11	Belt, Timing, AT10-560mm	FP-70-0047
12	Belt, Actuator (per foot)	FP-70-0001



Tower Assembly

ITEM NO.	PART NUMBER	DESCRIPTION	QTY.
1	FP-20-0435	CAP, RETAINING, INNER SHAFT	1
2	FP-80-0434	INNER SPACER	1
3	FP-80-0187-3	CLIP, TOWER	4
4	FP-80-0187-2	PLATE HOUSING	1
5	FP-80-0187-1	TUBE HOUSING	1
6	FP-70-0076	BEARING, INNER DRIVE SHAFT	2
7	FP-70-0075	OUTER DRIVE SHAFT BEARING	2
8	FP-30-0378	SPACER, DISC	1
9	FP-30-0111	Pulley, 52 Tooth, AT5	1
10	FP-30-0110	Pulley, 96 Tooth, AT5	1
11	FP-30-0109	EXCLUDER, ACTUATOR	1
12	FP-30-0106	26 TOOTH SPROCKET, 1 3/8" BORE	1
13	FP-30-0104	26 TOOTH SPROCKET, 1 3/4" BORE	1
14	FP-20-0485	SHAFT, INNER DRIVE	1
15	FP-20-0437	SPACER, EXCLUDER	1
16	FP-20-0436	SPACER, LOWER DRIVE PULLEY	1
17	FP-20-0432	SPACER, LOWER DRIVE	1
18	FP-20-0431	Support Disc 79mm OD	1
19	FP-20-0430	BELT RETAINER	3
20	FP-20-0240	BUSHING, UPPER DRIVE	1
21	FP-20-0150	OUTER DRIVE SHAFT	1
22	37-0104	SEAL, RETAINER, 96mm, SUPPORT DISK	1
23	37-0103	RUBBER GASKET	1
24	37-0102	O-RING, WATER SHIELD TO OUTER SHAFT	1
25	17-0029	INTERNAL RETAINING RING	1
26	14-1302	7/32" SS BALL, INNER DRIVE SHAFT	1
27	14-1301	VENTED CUP POINT 5/16-18 X 3/8" SET SCREW	1
28	14-1300	GREASE FITTING, INNER DRIVE SHAFT	1
29	14-1250	INTERNAL RETAINING RING, 3-7/8" ID	1
30	14-0354	SS M8 SPLIT LOCK WASHER	1
31	14-0344	SS HEX HEAD BOLT M8 X 1.25 X 25	1
32	14-0335	18-8 SS HEX NUT M6-1	1
33	14-0320	SS HEX HEAD SCREW M6 X 16	1
34	14-0311	SS SLOTTED FLAT HEAD SCREWS M4 X 20	4
35	14-0301	SS SLOTTED FLAT HEAD SCREW M4 X 12	4
36	14-0211	1/2-13 X 1.00 SOCKET HEAD SCREW	4
37	14-0206	1/2" LOCK WASHER	4
38	14-0091	SS SLOTTED FLAT HEAD SCREW M4 X 16	8
39	14-0021	DOWEL PIN, 3/16" X 3/4" SS	12
40	37-0100	BUNA O RING, 2mm WIDE, 95mm ID	1
41	37-0101	BUNA O RING 2mm WIDE, 48mm ID	1

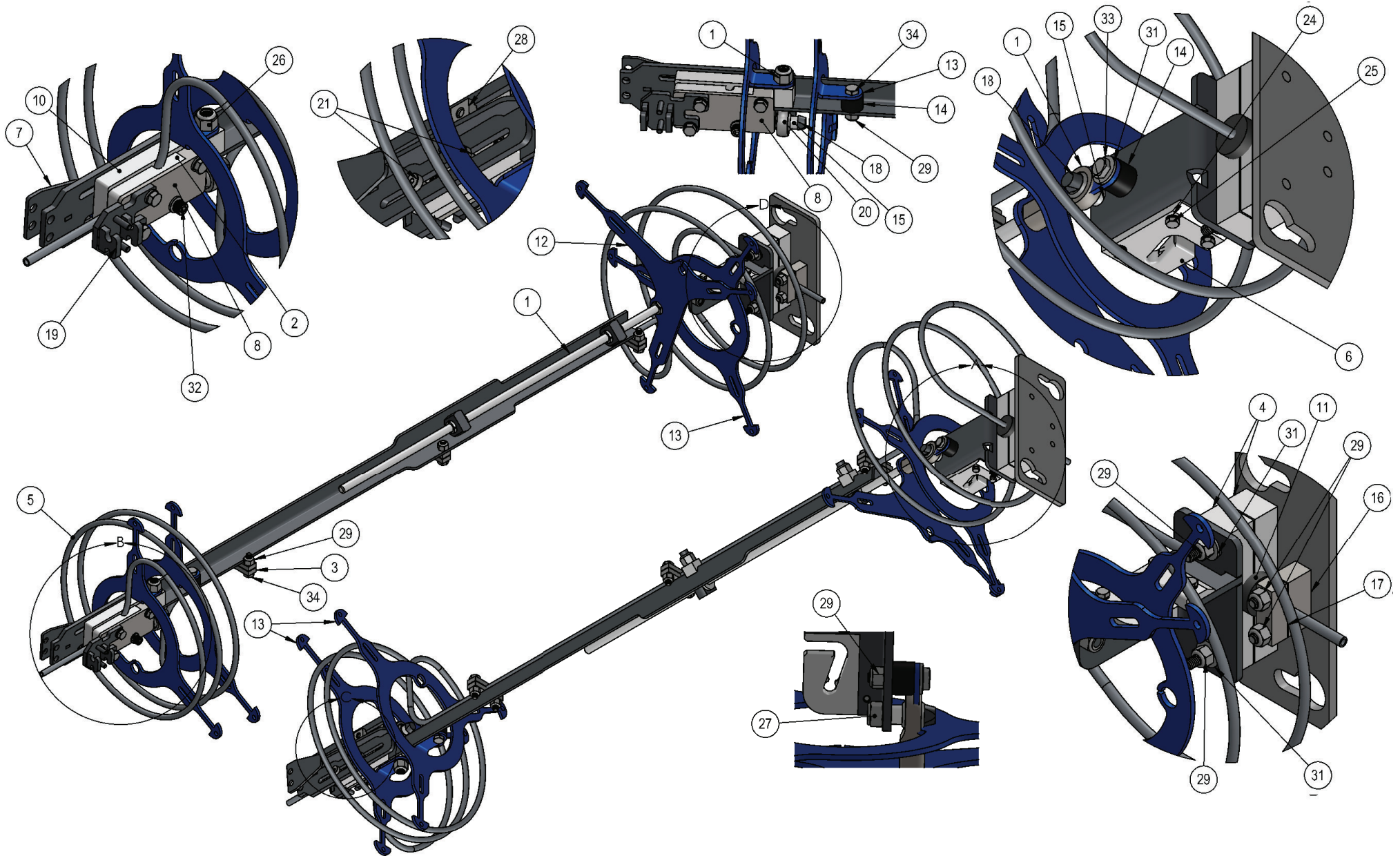


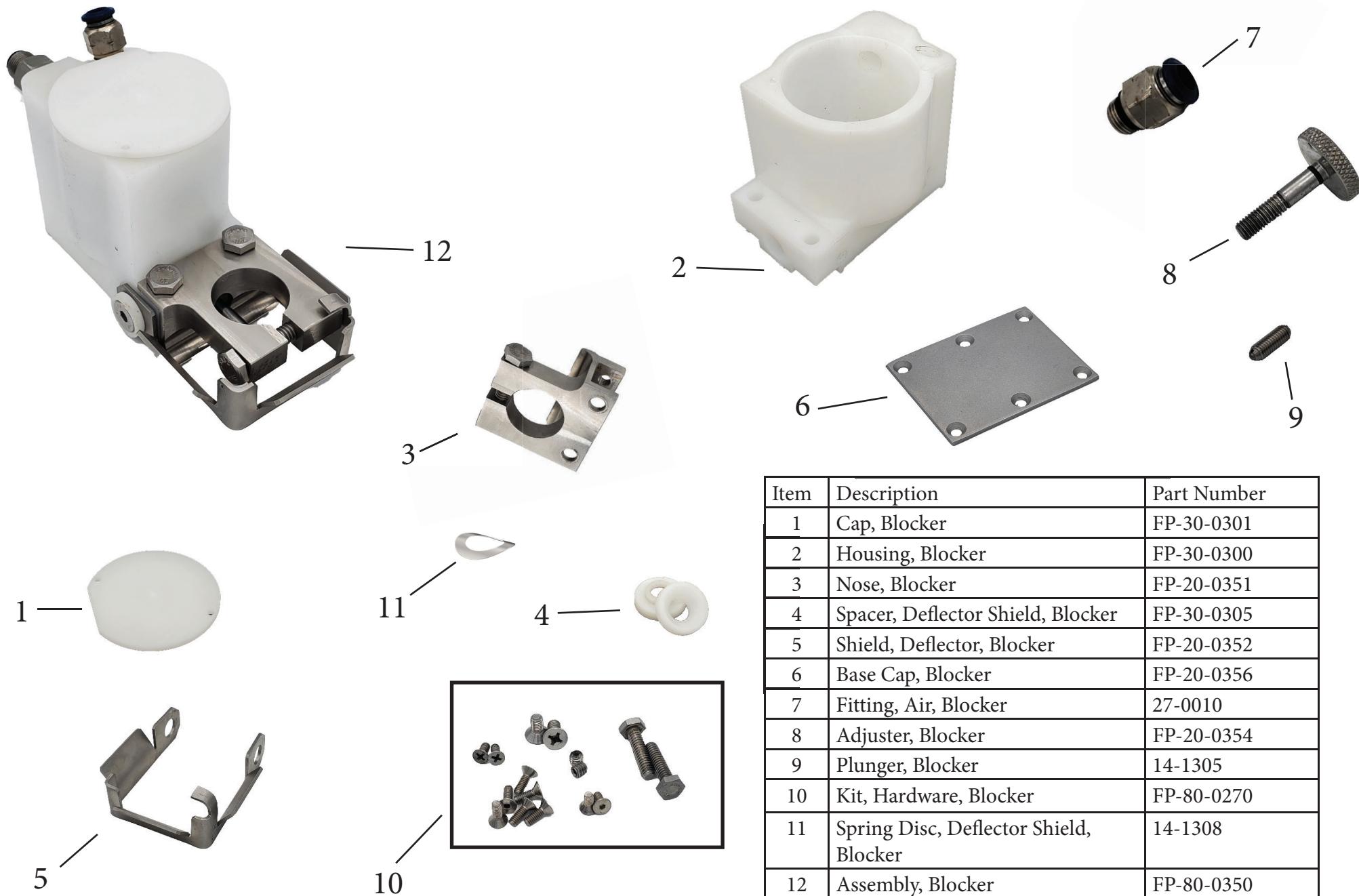


ITEM NO.	PART NUMBER	DESCRIPTION	QTY.
1	FP-80-0376	ASSEMBLY, AB ROD END BEARING	1
2	FP-30-0124	HP COIL CLAMP RADIUS	1
3	FP-20-0506	UPPER COIL CLAMP CAP	3
4	FP-20-0500	UPPER COIL CLAMP CAP	2
5	FP-15-0122	HP COIL	1
6	FP-30-0381	CLIP, PLASTIC CABLE	1
7	FP-40-0506	STANCHION WELDMENT	1
8	FP-20-0505	AB COIL SUPPORT MOUNT	1
9	FP-40-0507	AB TOP BRACE WELDMENT	1
10	FP-30-0123	HP COIL LOWER CLAMP SPACER	1
11	FP-30-0122	HP VERTICAL COIL HOLDER	1
12	FP-30-0121	COIL STABILIZER	1
13	FP-30-0120	COIL STABILIZER	3
14	FP-20-0507	1/2 X 3/4 X.26 BORE SPACER	2
15	FP-20-0504	BALL JOINT SPACER	2
16	FP-20-0503	UPPER COIL CLAMP	1
17	FP-20-0502	COIL CLAMP	1
18	FP-20-0509	BOLT, SHOULDER, AB COIL, DSI 800	2
19	FP-40-0508	CABLE CLAMP WELDMENT	1
20	27-0176	BALL JOINT ROD END, MALE, 3/8-24	1
21	14-0337	M5-.8 SHOULDER SCREW	2
22	14-0334	M6 SPLIT LOCK WASHER	3
23	14-0326	M6-1 30mm HEX HEAD SCREW	3
24	14-0317	STAINLESS STEEL SPLIT LOCK WASHER M4	3
25	14-0300	M4-.7 HEX HEAD SCREW 10mm	3
26	14-0163	3/8-24 NYLON-INSERT LOCKNUT	1
27	14-0158	5/16-18 NYLON-INSERT LOCKNUT	1
28	14-0124	1/4-20 1/2 X 9/16 X 1/4 STAINLESS STEEL T-SLOT NUT	1
29	14-0123	1/4-20 NYLON-INSERT LOCKNUT	12
30	14-0121	1/4-20 SPLIT LOCK WASHER	1
31	14-0120	OVERSIZED 1/4" WASHER	3
32	14-0108	1/4-20 SOCKET HEAD SCREW 1-1/2" LONG PARTIALLY THREADED	1
33	14-0106	1/4-20 HEX HEAD SCREW 1.25 LONG PARTIAL THREAD	1
34	14-0105	1/4-20 HEX HEAD SCREW 1" LONG	7



Assembly, AB Coil
FP-80-0375

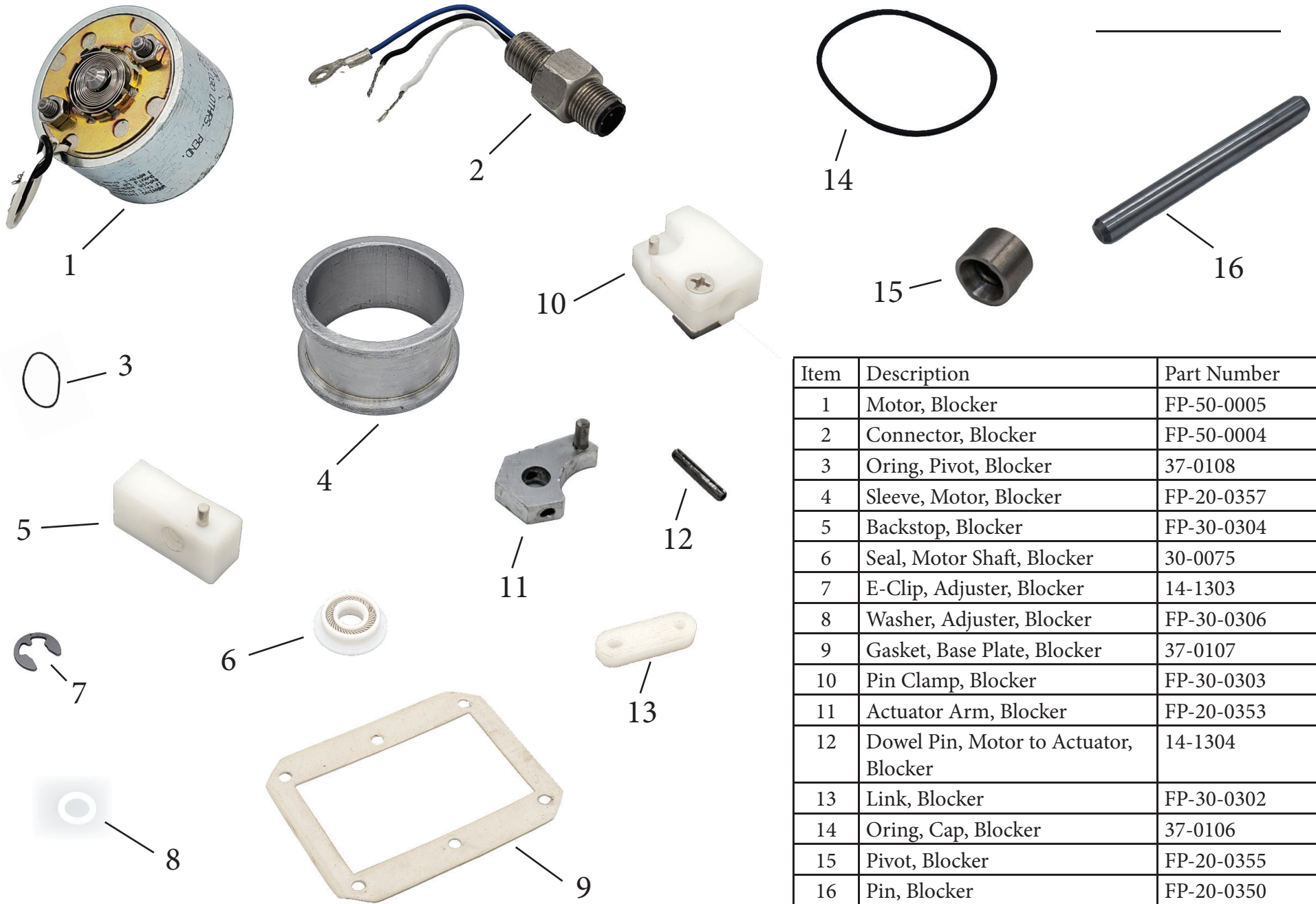




Item	Description	Part Number
1	Cap, Blocker	FP-30-0301
2	Housing, Blocker	FP-30-0300
3	Nose, Blocker	FP-20-0351
4	Spacer, Deflector Shield, Blocker	FP-30-0305
5	Shield, Deflector, Blocker	FP-20-0352
6	Base Cap, Blocker	FP-20-0356
7	Fitting, Air, Blocker	27-0010
8	Adjuster, Blocker	FP-20-0354
9	Plunger, Blocker	14-1305
10	Kit, Hardware, Blocker	FP-80-0270
11	Spring Disc, Deflector Shield, Blocker	14-1308
12	Assembly, Blocker	FP-80-0350

Blocker Parts

DSI Waterjets



Item	Description	Part Number
1	Motor, Blocker	FP-50-0005
2	Connector, Blocker	FP-50-0004
3	Oring, Pivot, Blocker	37-0108
4	Sleeve, Motor, Blocker	FP-20-0357
5	Backstop, Blocker	FP-30-0304
6	Seal, Motor Shaft, Blocker	30-0075
7	E-Clip, Adjuster, Blocker	14-1303
8	Washer, Adjuster, Blocker	FP-30-0306
9	Gasket, Base Plate, Blocker	37-0107
10	Pin Clamp, Blocker	FP-30-0303
11	Actuator Arm, Blocker	FP-20-0353
12	Dowel Pin, Motor to Actuator, Blocker	14-1304
13	Link, Blocker	FP-30-0302
14	Oring, Cap, Blocker	37-0106
15	Pivot, Blocker	FP-20-0355
16	Pin, Blocker	FP-20-0350



770-536-8031

parts@rangermfg.com

Located just 1 hour Northeast of Atlanta, Ranger Manufacturing is your all in one source for OEM parts. Are you having trouble with your current provider? Long lead times, expensive overseas manufacturer, or just need local guaranteed stock, then Ranger Manufacturing is the shop for you. OEM quality with the pricing and availability you need. Give us a call to discuss your parts needs today!

