

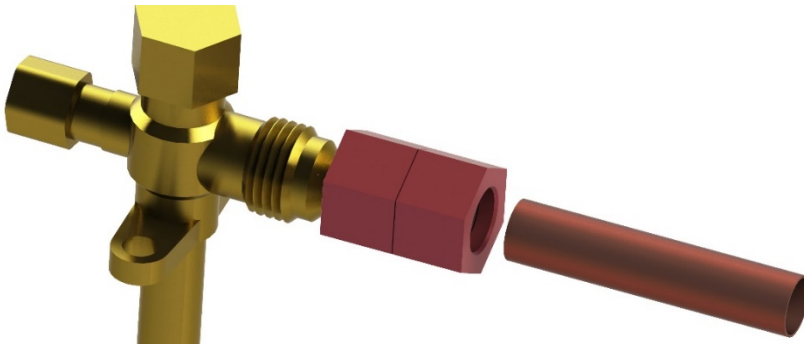
Submittal

FCMA

Flare Connector Multi Angle

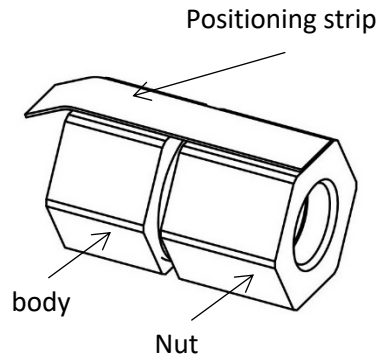
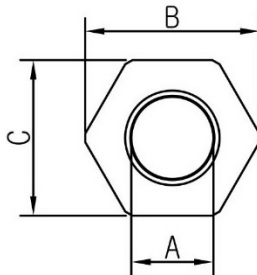
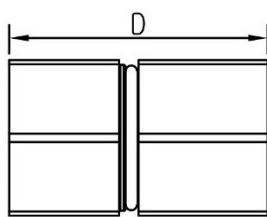


2701 Old Denton Rd; Ste 270
 Carrollton, TX 75007
 TEL : (214) 304-2083
<https://smartlockfitting.com>
sales@smartlockfitting.com



Features :

1. Connecting tube to flare valve without flaring work.
2. Specially designed to use multiple angle degrees (such as 37.5° and 45°) of flare valve.
3. Positioning strip aligns all components for easy insertion of tube. (see the installation guide).
4. Compatible with all refrigerant gases.
5. No limit on pressure and temperature range due to metal to metal sealing technology.
6. Over torque prevention design.
7. Material: Aluminum alloy
8. Color: Red



Dimension & Working Pressure :

Model	A Inch [mm]	B Inch [mm]	C Inch [mm]	D Inch [mm]
FCMA1400	0.250 [6.35]	0.748 [19.0]	0.669 [17.0]	1.358 [34.5]
FCMA3800	0.375 [9.52]	0.984 [25.0]	0.866 [22.0]	1.461 [37.1]
FCMA1200	0.500 [12.7]	1.063 [27.0]	0.945 [24.0]	1.512 [38.4]
FCMA5800	0.625 [15.88]	1.181 [30.0]	1.063 [27.0]	1.713 [43.5]
FCMA3400	0.750 [19.05]	1.417 [36.0]	1.260 [32.0]	1.732 [44.0]

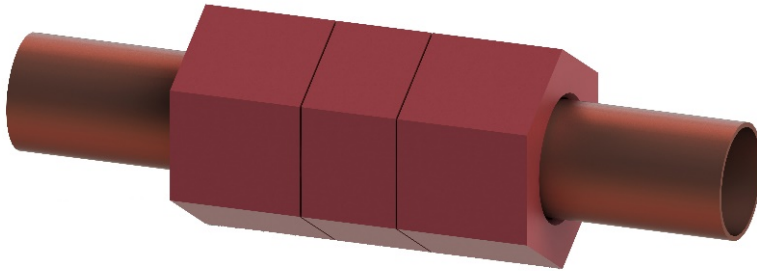
Submittal

UNST

Union Straight

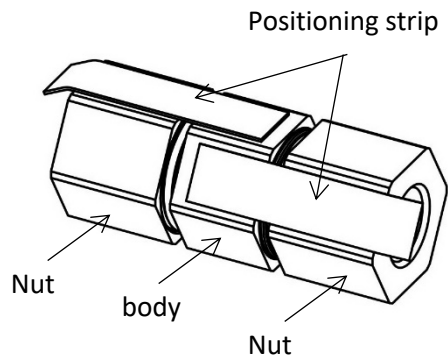
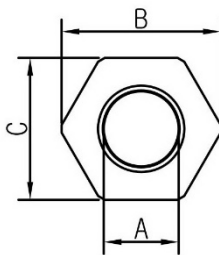
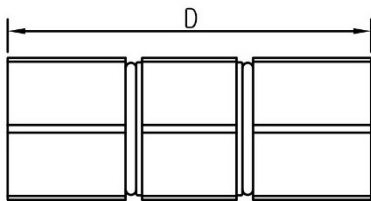


2701 Old Denton Rd; Ste 270
Carrollton, TX 75007
TEL : (214) 304-2083
<https://smartlockfitting.com>
sales@smartlockfitting.com



Features :

1. Connecting tube to tube without brazing or welding.
2. Positioning strip aligns all components for easy insertion of tube. (see the installation guide).
3. Compatible with all refrigerant gases.
4. No limit on pressure and temperature range due to metal to metal sealing technology.
5. Over torque prevention design.
6. Material : Aluminum alloy
7. Color : Red



Dimension & Working Pressure :

Model	A Inch [mm]	B Inch [mm]	C Inch [mm]	D Inch [mm]
UNST1400	0.250 [6.35]	0.748 [19.0]	0.669 [17.0]	2.091 [53.1]
UNST3800	0.375 [9.52]	0.984 [25.0]	0.866 [22.0]	2.138 [54.3]
UNST1200	0.500 [12.7]	1.063 [27.0]	0.945 [24.0]	2.272 [57.7]
UNST5800	0.625 [15.88]	1.181 [30.0]	1.063 [27.0]	2.472 [62.8]
UNST3400	0.750 [19.05]	1.417 [36.0]	1.260 [32.0]	2.480 [63.0]
UNST7800	0.875 [22.22]	1.575 [40.0]	1.417 [36.0]	2.480 [63.0]

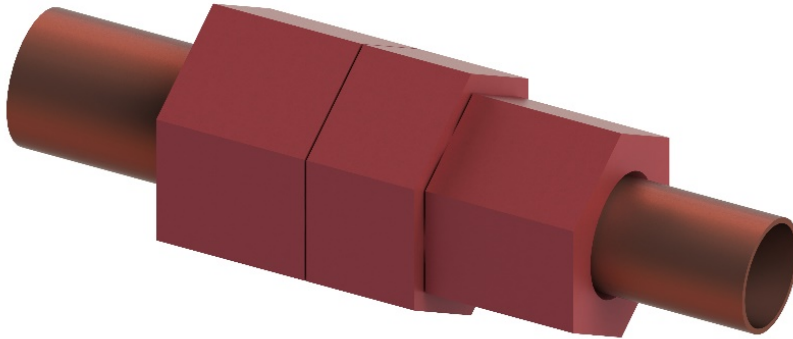
Submittal



UNRD

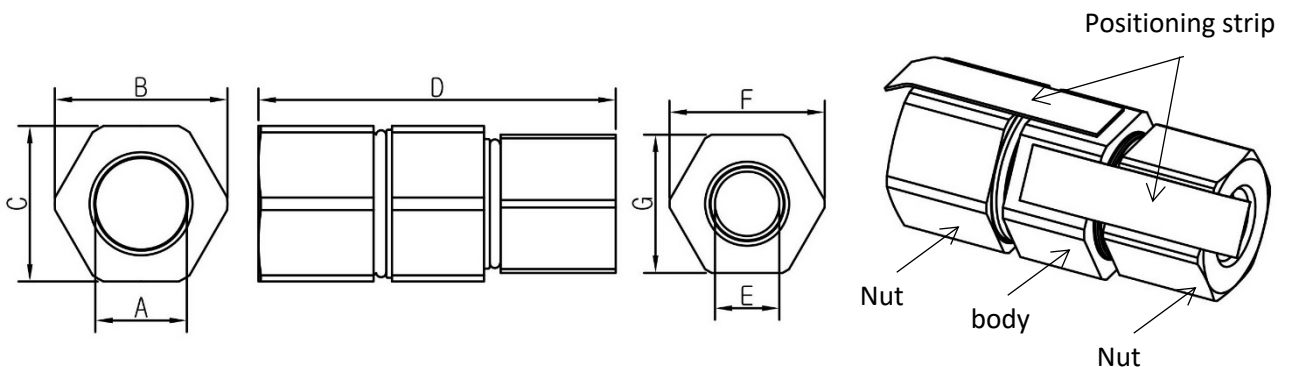
Union Reducer

2701 Old Denton Rd; Ste 270
 Carrollton, TX 75007
 TEL : (214) 304-2083
<https://smartlockfitting.com>
sales@smartlockfitting.com



Features :

1. Connecting tube to tube without brazing or welding.
2. Positioning strip aligns all components for easy insertion of tube. (see the installation guide).
3. Compatible with all refrigerant gases.
4. No limit pressure and temperature range due to metal to metal sealing technology.
5. Over torque prevention design.
6. Material : Aluminum alloy
7. Color : Red



Dimension & Working Pressure :

Model	A Inch [mm]	B Inch [mm]	C Inch [mm]	D Inch [mm]	E Inch [mm]	F Inch [mm]	G Inch [mm]
UNRD3814	0.375 [9.52]	0.984 [25.0]	0.866 [22.0]	2.134 [54.2]	0.250 [6.35]	0.748 [19.0]	0.669 [17.0]
UNRD1238	0.500 [12.7]	1.063 [27.0]	0.945 [24.0]	2.248 [57.1]	0.375 [9.52]	0.984 [25.0]	0.866 [22.0]
UNRD5812	0.625 [15.88]	1.181 [30.0]	1.063 [27.0]	2.453 [62.3]	0.500 [12.7]	1.063 [27.0]	0.945 [24.0]
UNRD3458	0.750 [19.05]	1.417 [36.0]	1.260 [32.0]	2.480 [63.0]	0.625 [15.88]	1.181 [30.0]	1.063 [27.0]
UNRD7834	0.875 [22.22]	1.575 [40.0]	1.417 [36.0]	2.480 [63.0]	0.750 [19.05]	1.417 [36.0]	1.260 [32.0]

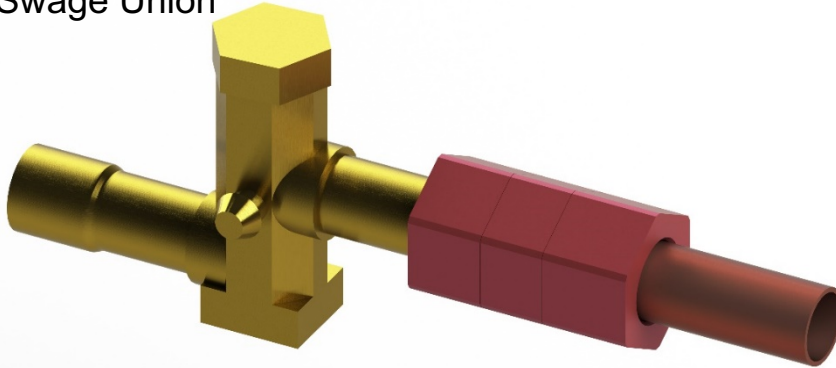
Submittal

SWUN

Swage Union

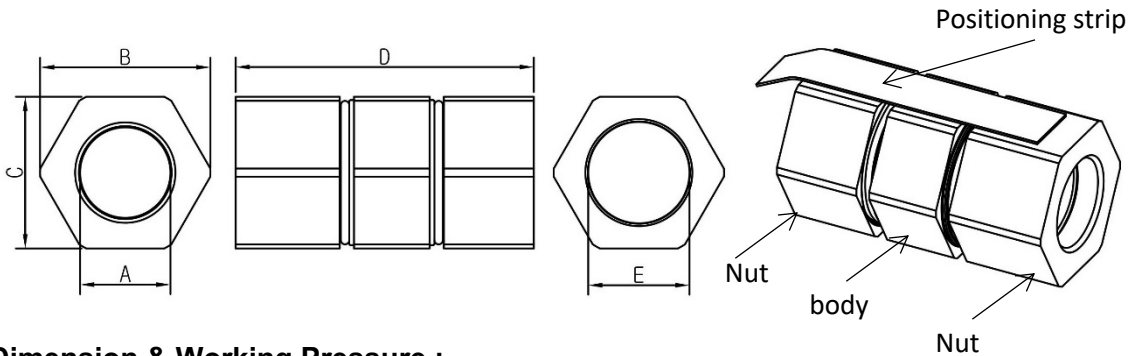


2701 Old Denton Rd; Ste 270
 Carrollton, TX 75007
 TEL : (214) 304-2083
<https://smartlockfitting.com>
sales@smartlockfitting.com



Features :

1. Connecting swage tube or valve to tube without brazing or welding.
2. Positioning strip aligns all components for easy insertion of tube. (see the installation guide).
3. Compatible with all refrigerant gases.
4. No limit on pressure and temperature range due to metal to metal sealing technology.
5. Over torque prevention design.
6. Material : Aluminum alloy
7. Color : Red



Dimension & Working Pressure :

Model	A Inch [mm]	B Inch [mm]	C Inch [mm]	D Inch [mm]	E Inch [mm]
SWUN3800	0.375 [9.52]	0.984 [25.0]	0.866 [22.0]	2.106 [53.5]	0.469 [11.9]
SWUN5800	0.625 [15.88]	1.181 [30.0]	1.063 [27.0]	2.382 [60.5]	0.720 [18.3]
SWUN3400	0.750 [19.05]	1.417 [36.0]	1.260 [32.0]	2.402 [61.0]	0.850 [21.6]
SWUN7800	0.875 [22.22]	1.575 [40.0]	1.417 [36.0]	2.480 [63.0]	0.980 [24.9]

Submittal

ELUN

Elbow Union

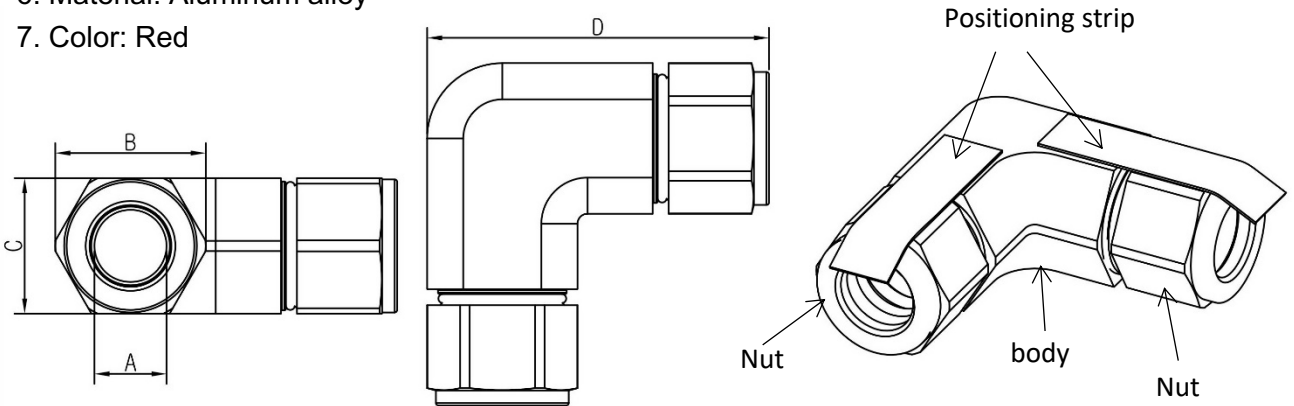


2701 Old Denton Rd; Ste 270
Carrollton, TX 75007
TEL : (214) 304-2083
<https://smartlockfitting.com>
sales@smartlockfitting.com



Features :

1. Connecting tube to tube at 90 degree without any bending work.
2. No for brazing or welding.
3. Positioning strip aligns all components for easy insertion of tube. (see the installation guide).
3. Compatible with all refrigerant gases.
4. No limit on pressure and temperature range due to metal to metal sealing technology.
5. Over torque prevention design.
6. Material: Aluminum alloy
7. Color: Red



Dimension & Working Pressure :

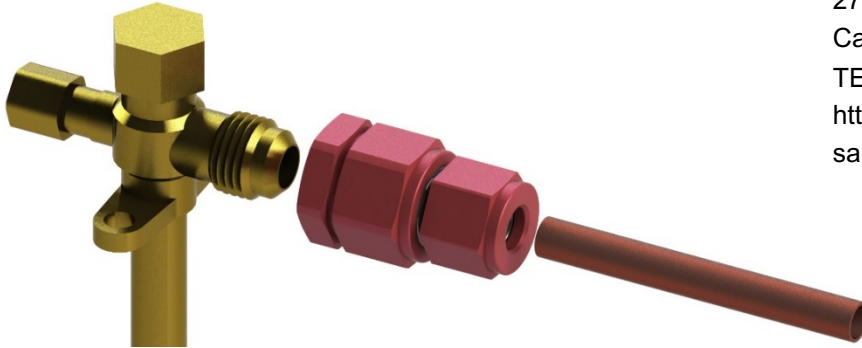
Model	A Inch [mm]	B Inch [mm]	C Inch [mm]	D Inch [mm]
ELUN1200	0.500 [12.7]	1.063 [27.0]	0.945 [24.0]	2.291 [58.2]
ELUN5800	0.625 [15.88]	1.181 [30.0]	1.063 [27.0]	2.685 [68.2]
ELUN3400	0.750 [19.05]	1.417 [36.0]	1.260 [32.0]	3.177 [80.7]
ELUN7800	0.875 [22.22]	1.575 [40.0]	1.417 [36.0]	3.394 [86.2]

Submittal



FCRS

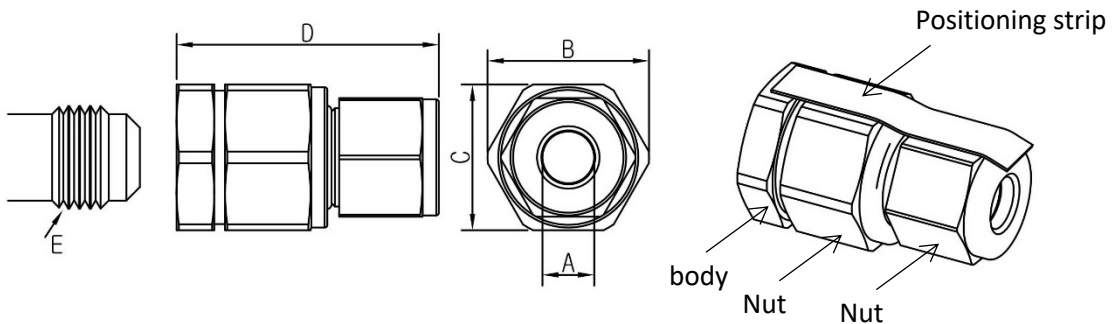
Flare Connector Reducer Special



2701 Old Denton Rd; Ste 270
 Carrollton, TX 75007
 TEL : (214) 304-2083
<https://smartlockfitting.com>
sales@smartlockfitting.com

Features :

1. Connecting smaller size tube to larger flare valve without flaring or brazing work
2. Specially designed to use multiple angle degrees (such as 37.5° and 45°) of flare valve.
3. Positioning strip aligns all components for easy insertion of tube. (see the installation guide).
4. Compatible with all refrigerant gases.
3. Same fastening torque design for flare valve and small size tube.
4. Over torque prevention design.
7. No limit pressure and temperature range due to metal to metal sealing technology.
8. Material: Aluminum alloy
9. Color: Red



Dimension & Working Pressure :

Model	A Inch [mm]	B Inch [mm]	C Inch [mm]	D Inch [mm]	E Socket size
FCRS1238	0.375 [9.52]	1.063 [27.0]	0.945 [24.0]	1.917 [48.7]	1/2 inch 3/4"-16UNF