

Genesis Air™ CU



The CU is a ducted-in catalysts panel housing designed to work in conjunction with the building HVAC system. The CU uses a combination of one or more catalyst panels. The CU-S (Supply Side) works in conjunction with the existing particle filter section in the building HVAC system. The CU-R (Return Side) comes with its own particle filter

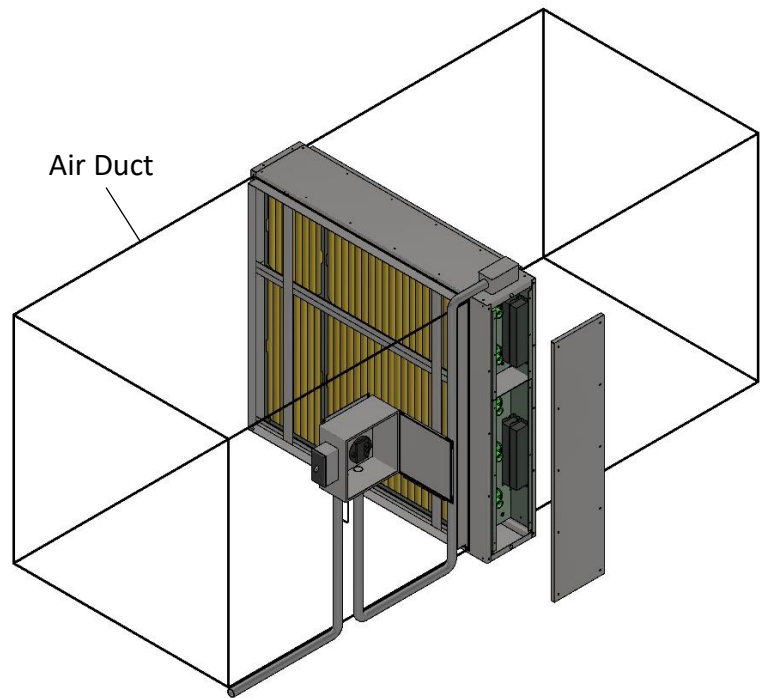
Proven technology to disinfect, deodorize, and filter air.

GENESIS AIR CenterPoint™

Improves Health and Productivity:

- Eliminates airborne SARS-CoV-2**.
- Reduces Smoke and Odors
- Reduces Airborne Biologics IE: Mold Spores, Bacteria VOCs and many other Irritants.
- Reduces Carbon Monoxide
- Continuous Protection

Genesis Air's GAP™ technology (patented) often eliminates the need for costly HEPA and carbon filtration. Genesis Air™ units do not produce ozone.



GAP™

Step 1: MERV 13 Filtration...

Reduces particles you can't even see. New high efficiency, high capacity, low resistance particle filter reduces most pollen, mold, mildew, ragweed, dust, house dust, bacteria, pet dander, and many other submicroscopic poisons, allergens, and irritants.

** Test results available upon request.
Email: information@genesisair.com

Step 2: UVGI Lamps...

CenterPoint™ uses ultraviolet light to activate the photocatalyst, which reduces and deactivates air borne bacteria, viruses, mold, spores, and fungi.

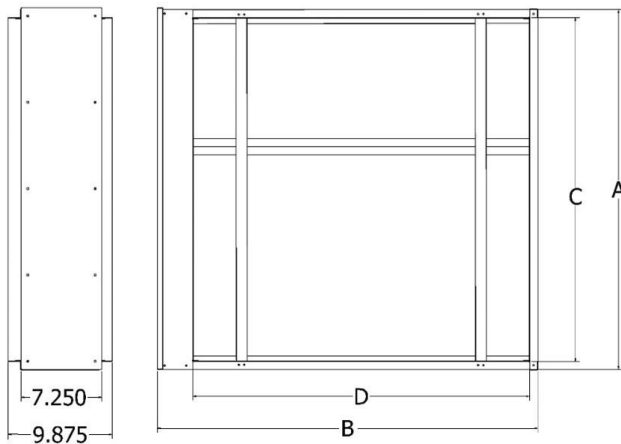
Genesis Air, Inc.
5202 CR 7350 Suite D
Lubbock, TX 79424
Phone: 806-745-7000
Web: www.genesisair.com

Step 3: Photocatalyst...

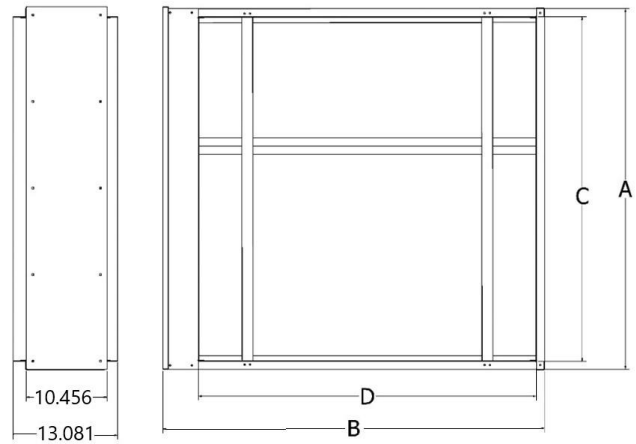
Using Titanium Dioxide energized by UV light, Genesis Air CenterPoint™, produces hydroxyl radicals. Hydroxyl radicals are a natural cleansing agent found in the troposphere. Hydroxyl radicals reduce and oxidize biologics in the air, such as mold bacteria, and viruses, thus rendering them nonviable. CenterPoint™ safely and effectively neutralize biologics and reduces concentrations of VOCs.

Genesis Air™ CU

CU-S



CU-R



CU Size Chart

Model	A (inches)	B (inches)	C (inches)	D (inches)	CFM	Approximate AC Tonnage	Current (amps)	Weight (lbs.)	Lamp Length and Quantity
1212 CU	13.42	15.27	11.8	11.26	500	1	0.32	16.04	(2) 12"
1216 CU	13.42	19.27	11.8	15.26	667	1.5	0.42	17.51	(2) 16"
1220 CU	13.42	23.27	11.8	19.26	833	2	0.70	19.57	(2) 20"
1224 CU	13.42	27.27	11.8	23.26	1000	2.5	0.88	21.63	(2) 24"
1232 CU	13.42	35.27	11.8	31.26	1333	3	1.12	28.06	(2) 31"
1240 CU	13.42	43.27	11.8	39.23	1667	4	1.48	32.33	(2) 40"
1248 CU	13.42	51.27	11.8	47.26	2000	5	1.62	36.61	(2) 48"
1256 CU	13.42	59.27	11.8	55.26	2333	5.5	2.02	42.36	(2) 55"
1262 CU	13.42	65.27	11.8	61.26	2583	6.5	2.30	45.42	(2) 59"
1272 CU	13.42	76.56	11.8	72.54	3000	7.5	2.68	53.29	(4) 36"
1612 CU	17.41	15.27	15.8	11.26	667	1.5	0.48	19.49	(3) 12"
1616 CU	17.41	19.27	15.8	15.26	889	2	0.63	21.07	(3) 16"
1620 CU	17.41	23.27	15.8	19.26	1111	2.5	1.05	23.58	(3) 20"
1624 CU	17.41	27.27	15.8	23.26	1333	3	1.32	25.42	(3) 24"
1632 CU	17.41	35.27	15.8	31.26	1778	4.5	1.68	32.82	(3) 31"
1640 CU	17.41	43.27	15.8	39.23	2222	5.5	2.22	37.32	(3) 40"
1648 CU	17.41	51.27	15.8	47.26	2667	6.5	2.43	41.83	(3) 48"
1656 CU	17.41	59.27	15.8	55.26	3111	7.5	3.03	57.48	(3) 55"
1662 CU	17.41	65.27	15.8	61.26	3444	8.5	3.45	51.89	(3) 59"
1672 CU	17.41	76.56	15.8	72.54	4000	10	4.02	61.13	(6) 36"
2012 CU	21.41	15.27	19.8	11.26	833	2	21.79	21.79	(3) 12"
2016 CU	21.41	19.27	19.8	15.26	1111	2.5	0.63	23.49	(3) 16"
2020 CU	21.41	23.27	19.8	19.26	1389	3.5	1.05	25.77	(3) 20"
2024 CU	21.41	27.27	19.8	23.26	1667	4	1.32	36.47	(3) 24"
2032 CU	21.41	35.27	19.8	31.26	2222	5.5	1.68	36.17	(3) 31"
2040 CU	21.41	43.27	19.8	39.23	2778	7	2.22	40.90	(3) 40"

Model	A (inches)	B (inches)	C (inches)	D (inches)	CFM	Approximate AC Tonnage	Current (amps)	Weight (lbs.)	Lamp Length and Quantity
2048 CU	21.41	51.27	19.8	47.26	3333	8	2.43	45.62	(3) 48"
2056 CU	21.41	59.27	19.8	55.26	3889	9.5	3.03	52.91	(3) 55"
2062 CU	21.41	65.27	19.8	61.26	4306	10.5	3.45	56.48	(3) 59"
2072 CU	21.41	76.56	19.8	72.54	5000	12.5	4.02	66.42	(6) 36"
2412 CU	25.41	15.27	23.8	11.26	1000	2.5	0.64	24.51	(4) 12"
2416 CU	25.41	19.27	23.8	15.26	1333	3	0.84	26.91	(4) 16"
2420 CU	25.41	23.27	23.8	19.26	1667	4	1.40	29.32	(4) 20"
2424 CU	25.41	27.27	23.8	23.26	2000	5	1.76	31.72	(4) 24"
2432 CU	25.41	35.27	23.8	31.26	2667	6.5	2.24	40.66	(4) 31"
2440 CU	25.41	43.27	23.8	39.23	3333	8	2.96	45.62	(4) 40"
2448 CU	25.41	51.27	23.8	47.26	4000	10	3.24	50.57	(4) 48"
2456 CU	25.41	59.27	23.8	55.26	4667	11.5	4.04	58.61	(4) 55"
2462 CU	25.41	65.27	23.8	61.26	5167	13	4.60	62.36	(4) 59"
2472 CU	25.41	76.56	23.8	72.54	6000	15	4.64	75.08	(8) 36"
3220 CU	33.41	23.27	31.8	19.26	2222	5.5	1.75	45.87	(5) 20"
3224 CU	33.41	27.27	31.8	23.26	2667	6.5	2.20	49.90	(5) 24"
3232 CU	33.41	35.27	31.8	31.26	3556	8.5	2.80	61.62	(5) 31"
3240 CU	33.41	43.27	31.8	39.23	4444	11	3.70	71.12	(5) 40"
3248 CU	33.41	51.27	31.8	47.26	5333	13	4.05	78.71	(5) 48"
3256 CU	33.41	59.27	31.8	55.26	6222	15.5	5.05	90.38	(5) 55"
3262 CU	33.41	65.27	31.8	61.26	6889	17	5.75	98.02	(5) 59"
3272 CU	33.41	76.56	31.8	72.54	8000	20	6.70	120.16	(10) 36"
4020 CU	41.41	23.27	39.8	19.26	2778	7	2.10	53.32	(6) 20"
4024 CU	41.41	27.27	39.8	23.26	3333	8	2.64	57.34	(6) 24"
4032 CU	41.41	35.27	39.8	31.26	4444	11	3.36	70.58	(6) 31"
4040 CU	41.41	43.27	39.8	39.23	5556	14	4.44	80.95	(6) 40"
4048 CU	41.41	51.27	39.8	47.26	6667	16.5	4.86	88.99	(6) 48"
4056 CU	41.41	59.27	39.8	55.26	7778	19.5	6.06	102.19	(6) 55"
4062 CU	41.41	65.27	39.8	61.26	8611	21.5	6.90	110.58	(6) 59"
4072 CU	41.41	76.56	39.8	72.54	10000	25	8.04	136.28	(12) 36"
4820 CU	49.41	23.27	47.8	19.26	3333	8	2.80	61.40	(8) 20"
4824 CU	49.41	27.27	47.8	23.26	4000	10	3.52	65.65	(8) 24"
4832 CU	49.41	35.27	47.8	31.26	5333	13	4.48	80.42	(8) 31"
4840 CU	49.41	43.27	47.8	39.23	6667	16.5	5.92	91.65	(8) 40"
4848 CU	49.41	51.27	47.8	47.26	8000	20.	6.48	100.14	(8) 48"
4856 CU	49.41	59.27	47.8	55.26	9333	23.	8.08	114.87	(8) 55"
4862 CU	49.41	65.27	47.8	61.26	10333	25.5	9.20	124.02	(8) 59"
4872 CU	49.41	76.56	47.8	72.54	12000	30	10.72	153.78	(19) 36"
5620 CU	57.41	23.27	55.8	19.26	3889	9.5	3.15	74.86	(9) 20"
5624 CU	57.41	27.27	55.8	23.26	4667	11.5	3.96	51.69	(9) 24"
5632 CU	57.41	35.27	55.8	31.26	6222	15.5	3.96	99.00	(9) 32"
5640 CU	57.41	43.27	55.8	39.23	7778	19.5	6.66	110.26	(9) 40"

Model	A (inches)	B (inches)	C (inches)	D (inches)	CFM	Approximate AC Tonnage	Current (amps)	Weight (lbs.)	Lamp Length and Quantity
5648 CU	57.41	51.27	55.8	47.26	9333	23	7.29	118.22	(9) 48"
5656 CU	57.41	59.27	55.8	55.26	10889	27	9.09	144.70	(9) 55"
5662 CU	57.41	65.27	55.8	61.26	12056	30	10.35	154.84	(9) 59"
5672 CU	57.41	76.56	55.8	72.54	14000	35	12.06	191.00	(18) 36"
6020 CU	61.41	23.27	59.8	19.26	4167	10.5	3.15	77.90	(9) 20"
6024 CU	61.41	27.27	59.8	23.26	5000	12.5	3.96	83.57	(9) 24"
6032 CU	61.41	35.27	59.8	31.26	6667	16.5	5.04	102.78	(9) 32"
6040 CU	61.41	43.27	59.8	39.23	8333	20.5	6.66	114.27	(9) 40"
6048 CU	61.41	51.27	59.8	47.26	10000	25	7.29	129.04	(9) 48"
6056 CU	61.41	59.27	59.8	55.26	11667	29	9.09	148.16	(9) 55"
6062 CU	61.41	65.27	59.8	61.26	12917	32	10.35	160.28	(9) 59"
6072 CU	61.41	76.56	59.8	72.54	15000	37.5	12.06	197.70	(18) 36"
7220 CU	73.41	23.27	71.8	19.26	5000	12.5	4.20	90.02	(12) 20"
7224 CU	73.41	27.27	71.8	23.26	6000	15	5.28	96.03	(12) 24"
7232 CU	73.41	35.27	71.8	31.26	8000	20	6.72	117.53	(12) 32"
7240 CU	73.41	43.27	71.8	39.23	10000	25	8.88	133.74	(12) 40"
7248 CU	73.41	51.27	71.8	47.26	12000	30	9.72	145.78	(12) 48"
7256 CU	73.41	59.27	71.8	55.26	14000	35	12.12	167.18	(12) 55"
7262 CU	73.41	65.27	71.8	61.26	15500	38.5	13.80	180.44	(12) 59"
7272 CU	73.41	76.56	71.8	72.54	18000	45	16.08	224.46	(24) 36"