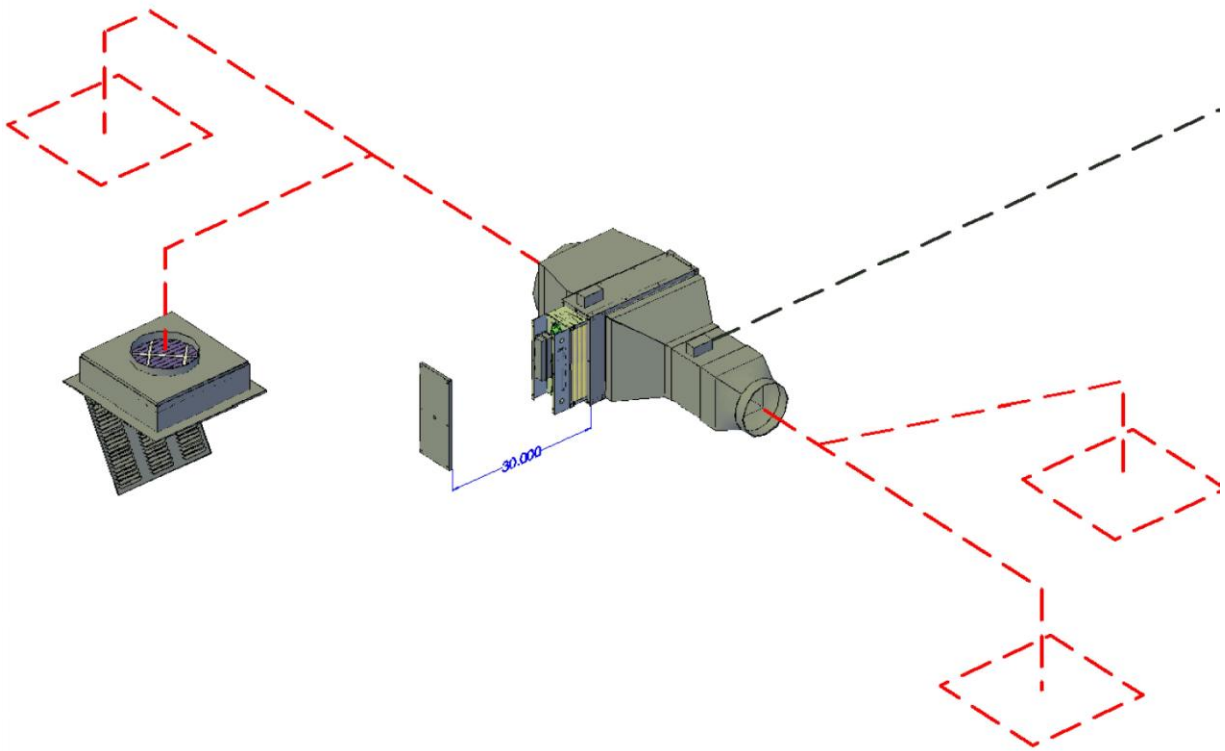


2008DT-FP APPLICATIONS GUIDE

INTRODUCTION

The Genesis Air 2008DT-FP is a stand-alone unit used to reduce the levels of Volatile Organic Compounds (VOC's) and viable airborne biological contaminants. The unit is utilized as a ducted-in application for permanent installations. This unit will clean and recirculate the air in a room without disrupting the HVAC system. The 2008DT-FP uses one 1620 PCP panel in conjunction with up to two return filter grilles and supplies. It is suitable for spaces up to 8300 ft³. For recommended unit configurations, consult the 2008 GAP Product Calculator supplied with packet. Contact Genesis Air if you do not have one. All Genesis Air products incorporate 3-step GAP technology: MERV Filtration, UVGI Lamps and Photocatalysis.



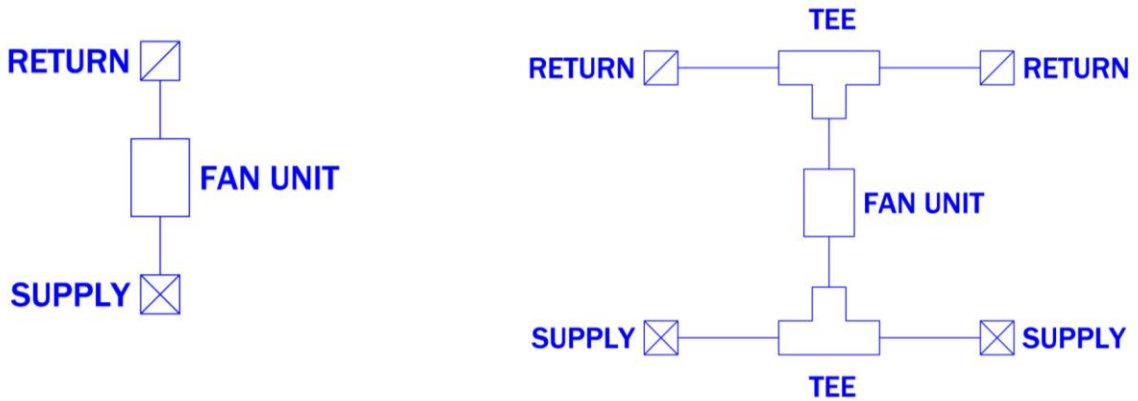
EXAMPLES OF USE

The 2008DT-FP is ideally suited to contain isolated contaminants. Examples of uses are in public restrooms, laboratories, smoking lounges, etc. It will recycle the air in a space, without returning it to the air handler. The 2008DT-FP should be used when adding high-efficiency filtration (MERV 13 or greater) to the air handler will cause a noticeable drop in performance.

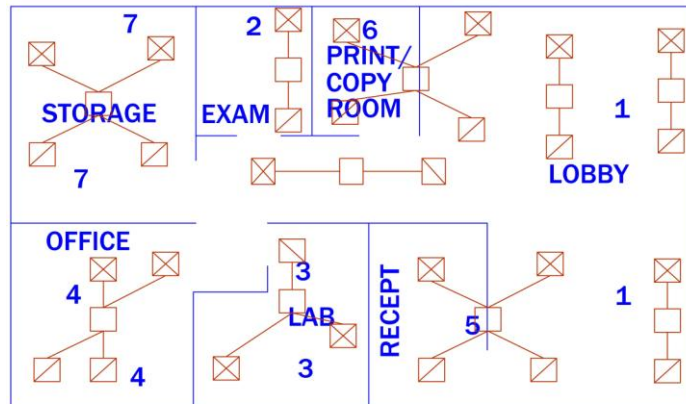
DIMENSIONAL DATA

The Genesis Air 2008DT-FP is made of three parts: The supply(s), the return(s) and the fan/catalyst section. The fan/catalyst section is generally suspended from the roof using chain and eyelets. The return is made to fit into drop-tile ceiling grids, using a 24"x 24"x 6" space with a 12" tap on the top of the grille.. Bear in mind that an adjustable elbow may be necessary,

which will add height to the return. The supplies and/or returns may also be wall-mounted for certain applications. **Contact Genesis Air for custom applications.**



INSTALLATION EXAMPLE



LOCATION OF DT-FP'S EXAMPLE

Rationale:

1. Reduce the threat from airborne contaminants at common entry point, such as mold, bacteria, viruses, and odors.
2. Reduce the possibility of potentially immuno-compromised people from airborne risks.
3. Reduce noxious odors and vapors from entering into the returns of the air handler.
4. To provide a safer environment for staff and personnel.
5. The receptionist area is the staff's first point-of-contact with potential bio-hazards.
6. Local VOC source.
7. If this is a dock with forklifts, these are large sources of VOC's and other contaminants that can be re-circulated into the air handlers.

Of course, use good judgment. Find out what is in each room, and what must be removed. The use of any stand-alone system, such as a 2008DT-FP, will reduce the overall load of contaminates entering the air handlers.

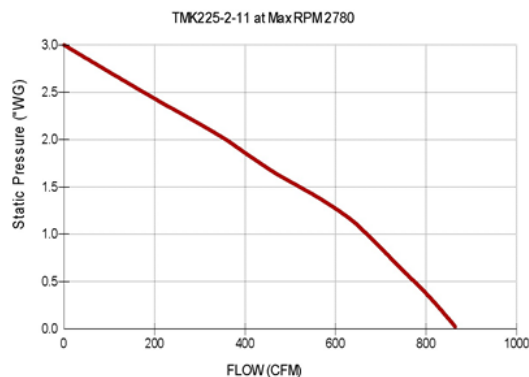
PCP COMPOUND DATA

Each Genesis Air 1620 PCP Compound used in the 2008DT-FP series has nominal dimensions of 16" x 20"; actual dimensions are 15.5" x 23". All PCP Compound units are 6" deep nominal; actual dimension is 5 13/16". The catalyst is pleated at one pleat per inch. Three lamps are spaced 6" from each other, then centered over the width of the panel.

FAN DATA

The Genesis Air 2008 DT-FP series incorporates a single reverse-curve impeller. The impeller is rated at 830 cfm with no load. For 115V, the fan's amp draw is 3.6A, and rotates at 2780 RPM. For other voltages contact Genesis Air. The fan's speed is controlled by potentiometer. This will also serve to power the unit (including lamps) on and off.

| | |
|---------------------|--------------------|
| Model No. | TMK225-2-11 (115V) |
| Max. Airflow | 830 CFM @ 0" SP |
| Motor | 410 watts |
| Max. Speed | 2780 RPM |
| Voltage | 115 volt |
| Phase | 1 |
| Cycle | 50/60 HZ |
| Amperage | 3.6 amps |
| Max. Temp. | 40 C |
| Capacitor | 20 x 400V |
| Weight | 9 lbs. |



LAMPS

Genesis Air lamps do not produce ozone! The lamps provide a minimum intensity of 775 microwatts/cm² (5 milliwatts per square inch) at 10.77 centimeters (4.24") to activate the catalyst effectively. To maintain tested performance, lamps may not be substituted with another manufacturer's products. These lamps provide UV-C wavelengths @ 254 nm. All lamps must be replaced at 12000 hrs (16 months continuous use) to maintain intensity requirements. Genesis Air lamps contain trace amounts of mercury, encapsulated within the lamp and therefore reducing risk to the consumer or ecosphere.


FILTRATION

The Genesis Air 2008DT-FP series may be equipped with two 20" x 20" x 4" MERV 13 filters and grilles, depending on your configuration.

POWER

Ballasts are matched to the specific length of lamp. To maintain tested performance, ballasts may not be substituted with another manufacturer's products. The ballasts must be specified as 120v, 60 Hz: contact the factory for other voltage/frequency requirements. The ballast operating temperature range is -20°F to 158°F. The 2008DT-FP draws 4.7A at 120V. Genesis provides a junction box that may be hard-wired or with appliance cord by contractor.

GENESIS AIR QUICK REFERENCE

| | | 2006D&L | 2008DT-FP | 2008B | 2008LB | 2008 PCP COMBINED | 2008CU | |
|---|--------------------------|---------|-----------|-------|--|----------------------|--------|--|
| | Small spaces | X | X | | | X | X | |
| | Medium spaces | | X | | X | X | X | |
| | Large spaces | | | X | X | X | X | |
| | Fan-powered | X | X | X | | | | |
| | Multiple panels standard | X | | | | | | |
| | Multiple panels optional | | | X | X | X | | |
| | Located in: | | | | | | | |
| | AHU/RTU | | | | | X | | |
| | Returns | | | | X | X | X | |
| | Supplies | | | | X | X | X | |
| | Trunk lines | | | | X | X | X | |
| | Curbs | | | | | X | | |
| | Stand-alone units | X | X | X | | | | |
| <p>Genesis Air, Inc. 5202 CR 7350, Suite D Lubbock, TX 79424 806.745.7000 Phone 806.745.9200 Fax www.genesisair.com</p> | | | | |  | | | |