



COMPONANCE
ARCHITECTURAL HARDWARE

DA SERIES: BRASS

WALL MOUNTED HANDRAIL BRACKET



SPEC

DA-WALL-BRASS

Application	Wall Mounted
Material	Solid Brass
Finish	Brushed & Clear Coat
Colour	Brass
Use	Interior & Exterior
Projection	2.6" / 67mm
Spacing	36"-48" o.c. / 914-1220mm
Hardware	Included

NOTES

Use with rail with flat bottom. Minimum 1-1/2" solid backing required. Can be installed on existing drywall. All hardware included.

DA Series, designed and manufactured by componance. For technical information, CAD drawings or related materials, please visit: www.componance.com or contact an authorized componance dealer. All information subject to change. Line drawings are not plotted to scale, for scaled drawings please inquire or download the drawings in CAD format.

componance.com
info@componance.com
 +1.604.771.5128

DA SERIES: BLACK

WALL MOUNTED HANDRAIL BRACKET



SPEC

DA-WALL-BLK

Application	Wall Mounted
Material	304 Stainless Steel
Finish	Powder Coated
Colour	Black
Use	Interior & Exterior
Projection	2.6" / 67mm
Spacing	36"-48" o.c. / 914-1220mm
Hardware	Included

NOTES

Use with rail with flat bottom. Minimum 1-1/2" solid backing required. Can be installed on existing drywall. All hardware included.

DA Series, designed and manufactured by componance. For technical information, CAD drawings or related materials, please visit: www.componance.com or contact an authorized componance dealer. All information subject to change. Line drawings are not plotted to scale, for scaled drawings please inquire or download the drawings in CAD format.

componance.com
info@componance.com
 +1.604.771.5128

DA SERIES: WHITE

WALL MOUNTED HANDRAIL BRACKET



SPEC	DA-WALL-WHT
Application	Wall Mounted
Material	304 Stainless Steel
Finish	Powder Coated
Colour	White
Use	Interior & Exterior
Projection	2.6" / 76mm
Spacing	36"-48" o.c. / 914-1220mm
Hardware	Included

NOTES

Use with rail with flat bottom. Minimum 1-1/2" solid backing required. Can be installed on existing drywall. All hardware included.

DA Series, designed and manufactured by componance. For technical information, CAD drawings or related materials, please visit: www.componance.com or contact an authorized componance dealer. All information subject to change. Line drawings are not plotted to scale, for scaled drawings please inquire or download the drawings in CAD format.

componance.com
info@componance.com
 +1.604.771.5128

DA SERIES: BRUSHED STAINLESS

WALL MOUNTED HANDRAIL BRACKET



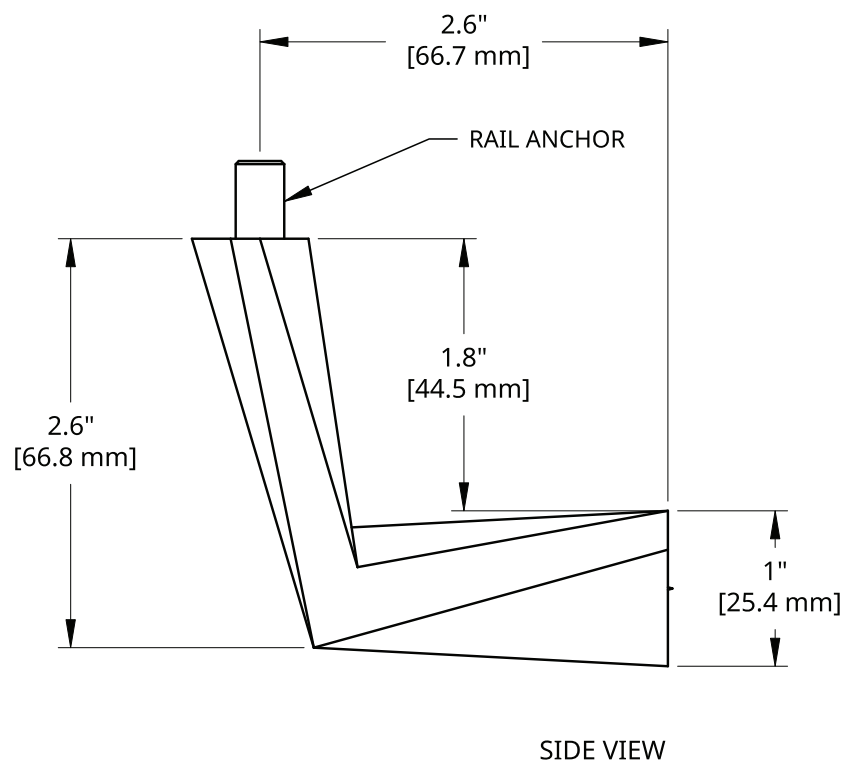
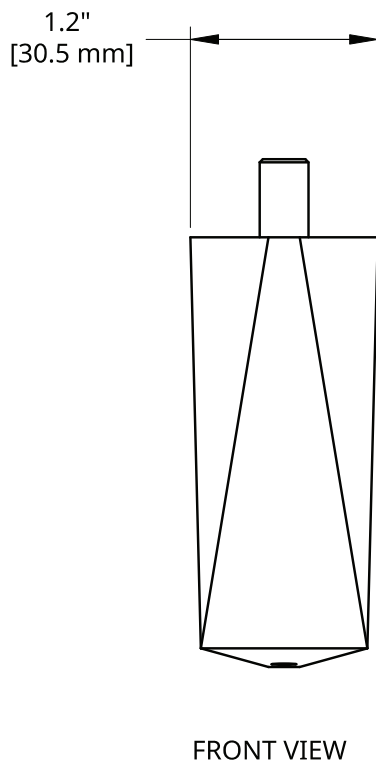
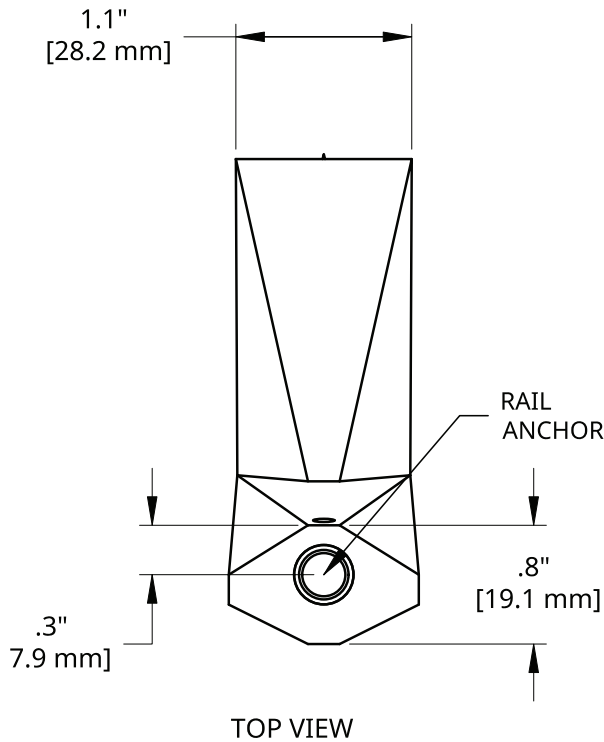
SPEC	DA-WALL-SS
Application	Wall Mounted
Material	304 Stainless Steel
Finish	Brushed
Colour	Silver
Use	Interior & Exterior
Projection	2.6" / 67mm
Spacing	36"-48" o.c. / 914-1220mm
Hardware	Included

NOTES

Use with rail with flat bottom. Minimum 1-1/2" solid backing required. Can be installed on existing drywall. All hardware included.

DA Series, designed and manufactured by componance. For technical information, CAD drawings or related materials, please visit: www.componance.com or contact an authorized componance dealer. All information subject to change. Line drawings are not plotted to scale, for scaled drawings please inquire or download the drawings in CAD format.

componance.com
info@componance.com
 +1.604.771.5128



NOTES

Specification: DA-WALL-(COLOUR)

Minimum 1-1/2" / 38mm of solid backing, wood stud or concrete required for anchoring.

Can be installed on top of existing drywall.

Rail must be flat on the bottom where it comes in contact with the bracket. 1.2" W x 3/4" D / 31mm x 20mm min.

Can be used with solid metal and wood rails. For hollow metal rails, please inquire.

For technical installation, product specs, maintenance and more specific questions, please contact info@componance.com or call +1.604.771.5128

DA SERIES: BRASS

WALL MOUNTED HANDRAIL BRACKET



SPEC	DA-WALL-ESC-BRASS
Application	Wall Mounted
Material	Solid Brass
Finish	Brushed & Clear Coat
Colour	Brass
Use	Interior & Exterior
Projection	3" / 76mm
Spacing	36"-48" o.c. / 914-1220mm
Hardware	Included

NOTES

Use with rail with flat bottom. Minimum 1-1/2" solid backing required. Can be installed on existing drywall. All hardware included.

DA Series, designed and manufactured by componance. For technical information, CAD drawings or related materials, please visit: www.componance.com or contact an authorized componance dealer. All information subject to change. Line drawings are not plotted to scale, for scaled drawings please inquire or download the drawings in CAD format.

componance.com
info@componance.com
 +1.604.771.5128

DA SERIES: BLACK

WALL MOUNTED HANDRAIL BRACKET



SPEC	DA-WALL-ESC-BLK
Application	Wall Mounted
Material	304 Stainless Steel
Finish	Powder Coated
Colour	Black
Use	Interior & Exterior
Projection	3" / 76mm
Spacing	36"-48" o.c. / 914-1220mm
Hardware	Included

NOTES

Use with rail with flat bottom. Minimum 1-1/2" solid backing required. Can be installed on existing drywall. All hardware included.

DA Series, designed and manufactured by componance. For technical information, CAD drawings or related materials, please visit: www.componance.com or contact an authorized componance dealer. All information subject to change. Line drawings are not plotted to scale, for scaled drawings please inquire or download the drawings in CAD format.

componance.com
info@componance.com
 +1.604.771.5128

DA SERIES: WHITE

WALL MOUNTED HANDRAIL BRACKET



SPEC	DA-WALL-ESC-WHT
Application	Wall Mounted
Material	304 Stainless Steel
Finish	Powder Coated
Colour	White
Use	Interior & Exterior
Projection	3" / 76mm
Spacing	36"-48" o.c. / 914-1220mm
Hardware	Included

NOTES

Use with rail with flat bottom. Minimum 1-1/2" solid backing required. Can be installed on existing drywall. All hardware included.

DA Series, designed and manufactured by componance. For technical information, CAD drawings or related materials, please visit: www.componance.com or contact an authorized componance dealer. All information subject to change. Line drawings are not plotted to scale, for scaled drawings please inquire or download the drawings in CAD format.

componance.com
info@componance.com
 +1.604.771.5128

DA SERIES: BRUSHED STAINLESS

WALL MOUNTED HANDRAIL BRACKET



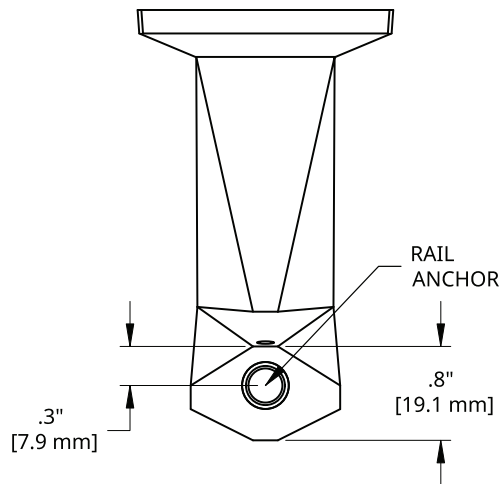
SPEC	DA-WALL- ESC-SS
Application	Wall Mounted
Material	304 Stainless Steel
Finish	Brushed
Colour	Silver
Use	Interior & Exterior
Projection	3" / 76mm
Spacing	36"-48" o.c. / 914-1220mm
Hardware	Included

NOTES

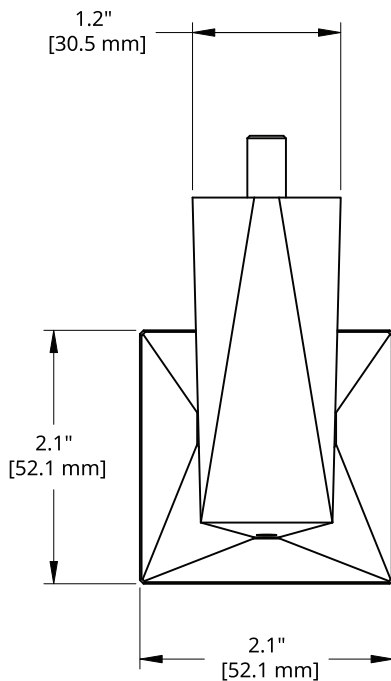
Use with rail with flat bottom. Minimum 1-1/2" solid backing required. Can be installed on existing drywall. All hardware included.

DA Series, designed and manufactured by componance. For technical information, CAD drawings or related materials, please visit: www.componance.com or contact an authorized componance dealer. All information subject to change. Line drawings are not plotted to scale, for scaled drawings please inquire or download the drawings in CAD format.

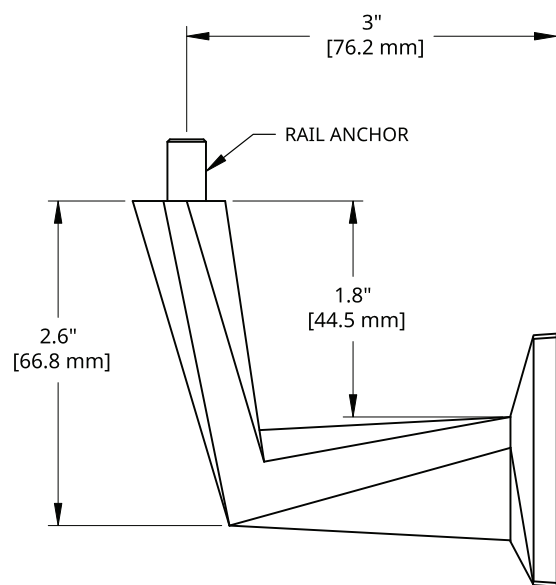
componance.com
info@componance.com
 +1.604.771.5128



TOP VIEW



FRONT VIEW



SIDE VIEW

NOTES

Specification: DA-ESC-WALL-(COLOUR)

Minimum 1-1/2" / 38mm of solid backing, wood stud or concrete required for anchoring.

Can be installed on top of existing drywall.

Rail must be flat on the bottom where it comes in contact with the bracket. 1.2" W x 3/4" D / 31mm x 20mm min.

Can be used with solid metal and wood rails. For hollow metal rails, please inquire.

For technical installation, product specs, maintenance and more specific questions, please contact info@componance or call +1.604.771.5128

DA SERIES: BRASS

GLASS MOUNTED HANDRAIL BRACKET



SPEC	DA-GLASS-BRASS	NOTES
Application	Glass Mounted	Use with rail with flat bottom. 3/4" / 19mm Diameter hole in glass required. Glass thickness should be specified when ordering. All hardware included.
Material	Solid Brass	
Finish	Brushed	
Colour	Brass	
Use	Interior & Exterior	
Projection	3" / 77mm	
Spacing	36"-48" o.c. / 914-1220mm	
Hardware	Included	

DA Series, designed and manufactured by componance. For technical information, CAD drawings or related materials, please visit: www.componance.com or contact an authorized componance dealer. All information subject to change. Line drawings are not plotted to scale, for scaled drawings please inquire or download the drawings in CAD format.

componance.com
info@componance.com
 +1.604.771.5128

DA SERIES: BLACK

GLASS MOUNTED HANDRAIL BRACKET



SPEC	DA-GLASS-BLK	NOTES
Application	Glass Mounted	Use with rail with flat bottom. 3/4" / 19mm Diameter hole in glass required. Glass thickness should be specified when ordering. All hardware included.
Material	304 Stainless Steel	
Finish	Powder Coated	
Colour	Black	
Use	Interior & Exterior	
Projection	3" / 77mm	
Spacing	36"-48" o.c. / 914-1220mm	
Hardware	Included	

DA Series, designed and manufactured by componance. For technical information, CAD drawings or related materials, please visit: www.componance.com or contact an authorized componance dealer. All information subject to change. Line drawings are not plotted to scale, for scaled drawings please inquire or download the drawings in CAD format.

componance.com
info@componance.com
 +1.604.771.5128

DA SERIES: WHITE

GLASS MOUNTED HANDRAIL BRACKET



SPEC	DA-GLASS-WHT	NOTES
Application	Glass Mounted	Use with rail with flat bottom. 3/4" / 19mm Diameter hole in glass required. Glass thickness should be specified when ordering. All hardware included.
Material	304 Stainless Steel	
Finish	Powder Coated	
Colour	White	
Use	Interior & Exterior	
Projection	3" / 77mm	
Spacing	36"-48" o.c. / 914-1220mm	
Hardware	Included	

DA Series, designed and manufactured by componance. For technical information, CAD drawings or related materials, please visit: www.componance.com or contact an authorized componance dealer. All information subject to change. Line drawings are not plotted to scale, for scaled drawings please inquire or download the drawings in CAD format.

componance.com
info@componance.com
 +1.604.771.5128

DA SERIES: BRUSHED STAINLESS

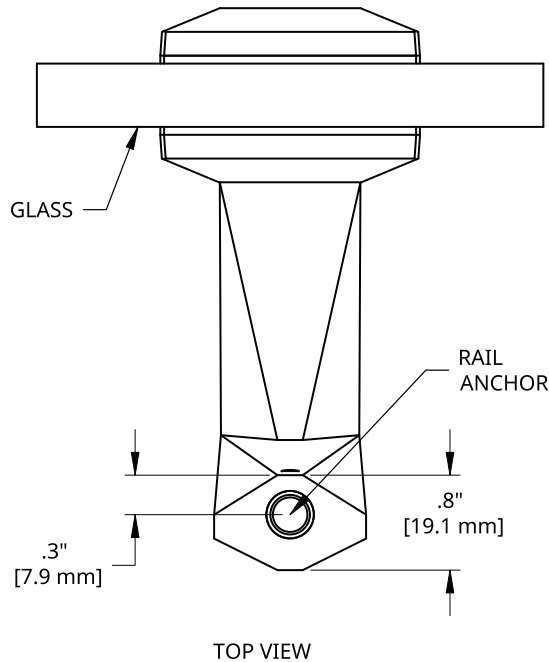
GLASS MOUNTED HANDRAIL BRACKET



SPEC	DA-GLASS-SS	NOTES
Application	Glass Mounted	Use with rail with flat bottom. 3/4" / 19mm Diameter hole in glass required. Glass thickness should be specified when ordering. All hardware included.
Material	304 Stainless Steel	
Finish	Brushed	
Colour	Silver	
Use	Interior & Exterior	
Projection	3" / 77mm	
Spacing	36"-48" o.c. / 914-1220mm	
Hardware	Included	

DA Series, designed and manufactured by componance. For technical information, CAD drawings or related materials, please visit: www.componance.com or contact an authorized componance dealer. All information subject to change. Line drawings are not plotted to scale, for scaled drawings please inquire or download the drawings in CAD format.

componance.com
info@componance.com
 +1.604.771.5128



NOTES

Specification: DA-GLASS-(COLOUR)

3/4" / 19mm Diameter hole in glass required.

Glass thickness should be specified when ordering

Rail must be flat on the bottom where it comes in contact with the bracket. 1.2" W x .80" D / 31mm x 19mm min.

Can be used with solid metal and wood rails. For hollow metal rails, please inquire.

For technical installation, product specs, maintenance and more specific questions, please contact info@componance or call +1.604.771.5128

