

COMPONANCE

DA GLASS MOUNTED SERIES

Installation instructions

PLEASE READ!

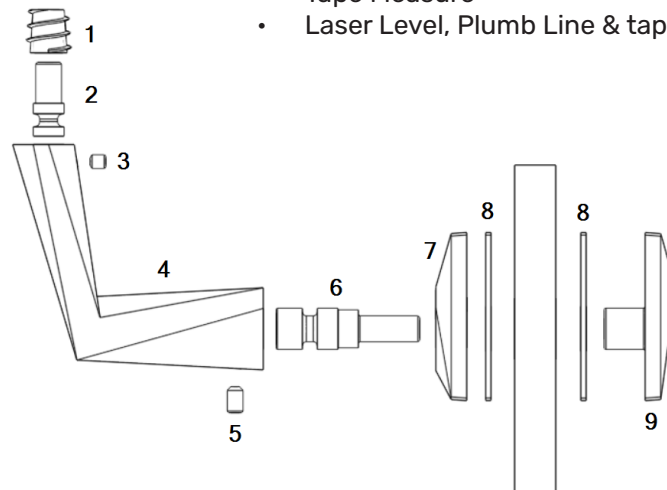
PRECISION INSTALLATION REQUIRED

All Componance handrail brackets have been meticulously designed to be as beautiful as possible without compromising strength. It is imperative that these instructions are strictly adhered to, to ensure a smooth and accurate installation experience and result. Failure to use precision tools to mark and drill mounting holes may cause misalignment for final handrail mounting onto brackets. Use the tried and true "Measure twice, drill once" philosophy.

PARTS LIST

Note: As we have taken steps to ensure that the correct qty of parts have been shipped with your order, it is the receiver's responsibility to ensure all parts are kept together and stored in a safe place, ready for installation. There is a limit of 14 days from the delivery date to contact us for any discrepancies with your order.

1. 1 x 5/16" Threaded Wood Insert
 2. 1 x Rail Anchor
 3. 1 x #8-32-3/16" Set Screw
 4. 1 x DA Series Bracket
 5. 1 x #10-32-3/16" Set Screw
 6. 1 x Custom Glazing Anchor
 7. 1 x Escutcheon Plate with through hole
 8. 2 x Neoprene Gaskets (Adhesive on one side of each)
 9. 1 x Escutcheon Plate with 5/16" thread
 10. *1 x 5/16" Allen Wrench
 11. *1 x 5/64" Allen Wrench
 12. *1 x 3/32" Allen Wrench
- * Not Shown



ORDER OF OPERATIONS OVERVIEW

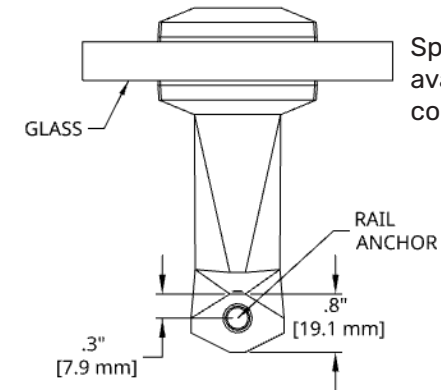
1. Remove adhesive cover and apply sticky surface of gaskets to escutcheon plates (parts #7 & 9)
2. Snap or tape out line on glass to align all bottoms of escutcheon plates
3. Fasten the escutcheon plates to glass with the Custom Glazing Anchor (part #6)
4. Attach the bracket to the assembly. Slide the bracket onto the Custom Glazing Anchor (part #6) and fasten into place with the #10-32-3/16" Set Screw (part #5)
5. Mark and install ONLY one Rail Anchor into handrail
6. Temporarily mount rail onto first bracket to mark all other Rail Anchor locations
7. Precisely mark all Rail Anchor locations & predrill holes in handrail
8. Install Threaded Wood Inserts and Rail Anchors into handrail
9. Secure handrail onto brackets

TOOLS REQUIRED

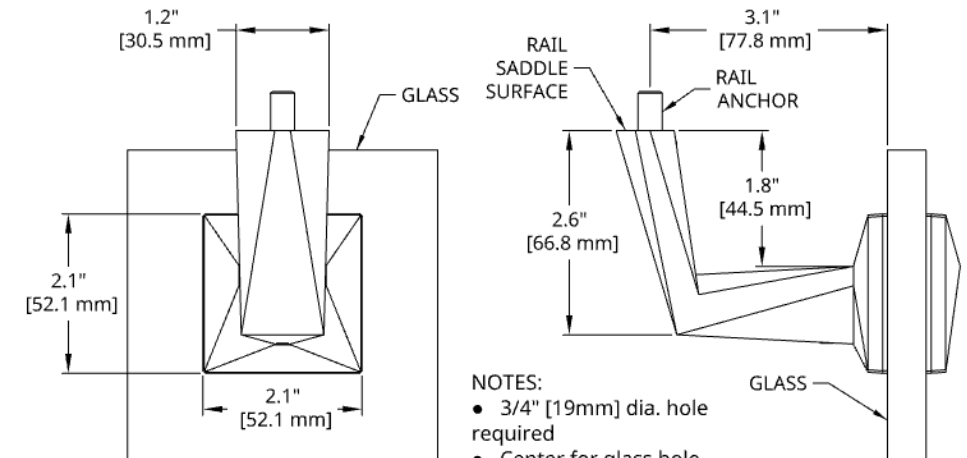
- 7/16" Drill Bit (Brad Point or Forstner bit recommended)
- Hole Punch
- Drill
- Level
- Small Square
- Tape Measure
- Laser Level, Plumb Line & tape

NOTES:

- Product specification: DA-GLASS-(color)
- 3/4" (19mm) dia. hole in glazing required
- Centre of glass hole 2.5" (58mm) down from rail saddle surface
- Glass thickness to be specified when ordering
- Maximum spacing distance 48" o.c. (1220mm)
- Rail must be flat where it comes in contact with the brackets
- Dimension precision .1
- www.componance.com
- info@componance.com



Specification sheets & CAD .dwgs available for download at www.componance.com



- NOTES:
- 3/4" [19mm] dia. hole required
 - Center for glass hole 2.3" [58mm] down from rail saddle surface

Bracket Installation & Alignment: Brackets may be aligned using the bottom of the escutcheon plates as a reference. The center of the glazing anchor (and 3/4" hole in glass) is .9" (22mm) from the bottom edge of the escutcheon (**figure 1**). These edges can be used to snap and tape an accurate line in order to align each bracket.

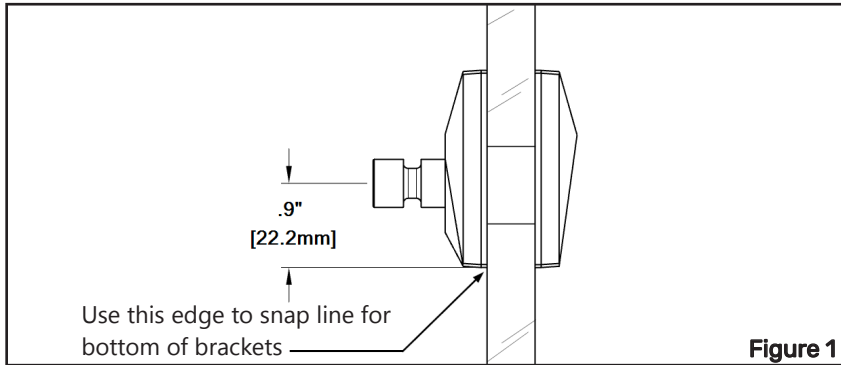
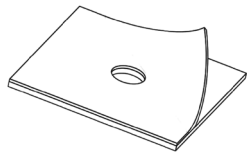


Figure 1

Once you have snapped your reference line you may install the brackets onto the glass. To install the bracket on the glass:

- Peel the adhesive backing cover off the gaskets and apply the sticky side to the flat faces of both escutcheons (parts #7 & 9). **DO NOT** apply sticky side to glass.
- Align the bottom edge of the escutcheons with the snapped/taped line on the glass
- Fasten the escutcheons in place on the glass using the Custom Glazing Anchor (part #6). Tighten just enough to keep the brackets in place and the rail supported as they need slight adjustment - once the rail is sitting flush on the brackets final tightening may be done.



Remove Adhesive (one side only)

- Prior to fastening the brackets onto the glazing anchors, screw the #10-32 (part #5) partially into place. Slide the brackets (part #4) onto the glazing anchors (part #6) and secure into place by fully tightening the #10 set screw - **IMPORTANT** - The set screw must seat properly and be at least flush with the bottom of the bracket to ensure the assembly has been secured into place.

Marking The First Rail Anchor Location: *CRITICAL STEP*

Now that all the brackets are mounted to the glass surface, it's time to precisely mark the pilot hole locations for the rest of the Threaded Wood Inserts used to install the Rail Anchors. The first step is to locate and mark the first Rail Anchor position at one end of the Handrail being installed which will assist in locating all the other Rail Anchor positions on the handrail. If installing on a slope (not on a landing), we recommend using the upper most bracket as the as the master.

Using a sharp pencil, lightly mark a straight line down the length of the bottom of the handrail to represent where the rail is going to be mounted on the brackets (**figure 2**). Ensure adherence to local building codes in respect to finger spacing between the handrail and all surface (**figure 3**). We recommend that a "Center Punch Marking Gauge" is used to create a depressed mark that will assist in accurately guiding the drill bit in the next step.

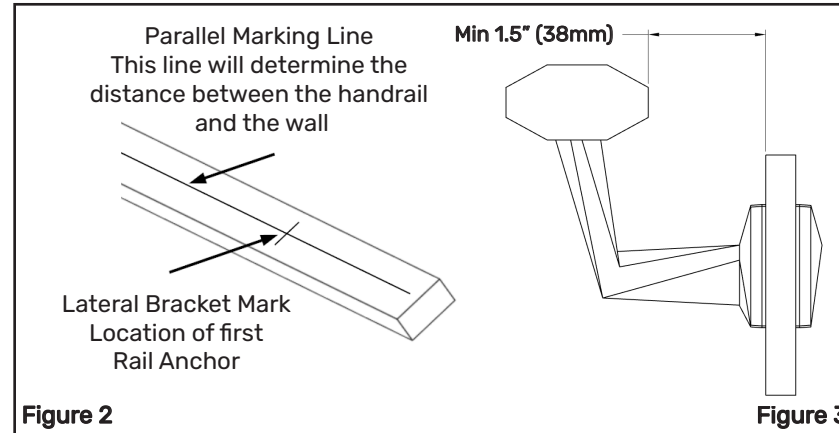
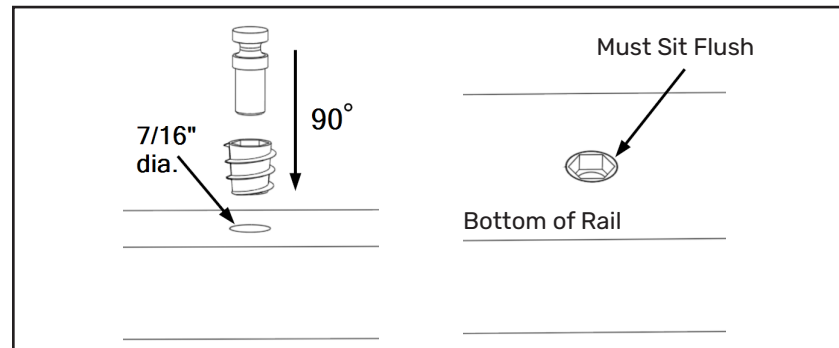


Figure 2

Figure 3

Threaded Wood Insert & Rail Anchor Installation:

1. Once the first Rail Anchor position is marked, drill a properly aligned 7/16" (11mm) pilot hole to min. depth of 1/2" (12mm). Clear away any burrs or rough edges.
2. Using the supplied 5/16" (8mm) Allen Wrench, install a Threaded Wood Insert into the pilot hole. When installed, the Threaded Wood Insert must be flush to the surface. Use the long end of the Allen Wrench to gently force the TWI into proper orientation if required.
3. Screw in a Rail Anchor. Hand tight is sufficient. Do not use pliers as they may mar or damage the Rail Anchor.



Marking Remaining Rail Anchor Pilot Holes: With the first Rail Anchor installed, place the handrail onto the brackets by mounting the single installed Rail Anchor into the first bracket. If installing on a slope (not on a landing), we recommend using the upper most bracket in order to allow gravity to assist in the alignment of the rail onto the other brackets. You may be able to make adjustments to the other brackets at this point if required. If necessary make any bracket adjustments and tighten firmly into place.

With the brackets in place, choose a side of each bracket and, with a sharp pencil, mark where each of the brackets meets the rail (**figure 4**). Be consistent with the side chosen. Once marked, remove the handrail, place upside down and, remembering which side of the brackets were marked, measure 19/32" (15mm) from each mark in the direction the bracket is being mounted (be sure to use a square) **figure 5**. The point where these two lines converge represents the center of each bracket and the location for each pilot hole to be drilled. Repeat steps 1-3 in the above (Threaded Wood Insert & Rail Anchors Installation)

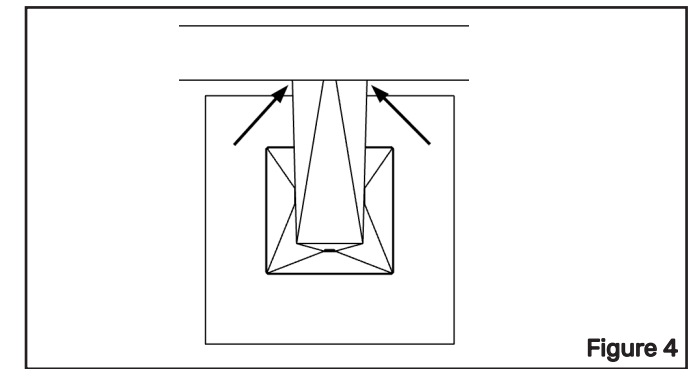


Figure 4

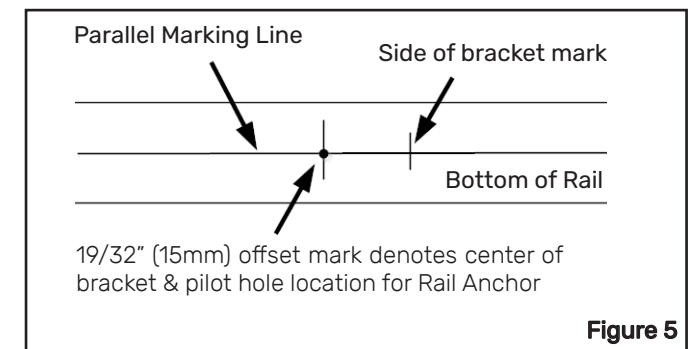


Figure 5

Final Handrail Installation: Install the Threaded Wood Inserts and Rail Anchors as per previous instructions. Before placing the rail on the brackets, partially screw in the #8 set screws (part #3) into the upper portion of the bracket to aid in final installation. Place the rail onto the brackets, ensure a clean and level fit and tighten #8 set screws to firm the rail into place.

If further support is required, please call or email:
 Companance
 p. 1-604-771-5128
 e. info@companance.com