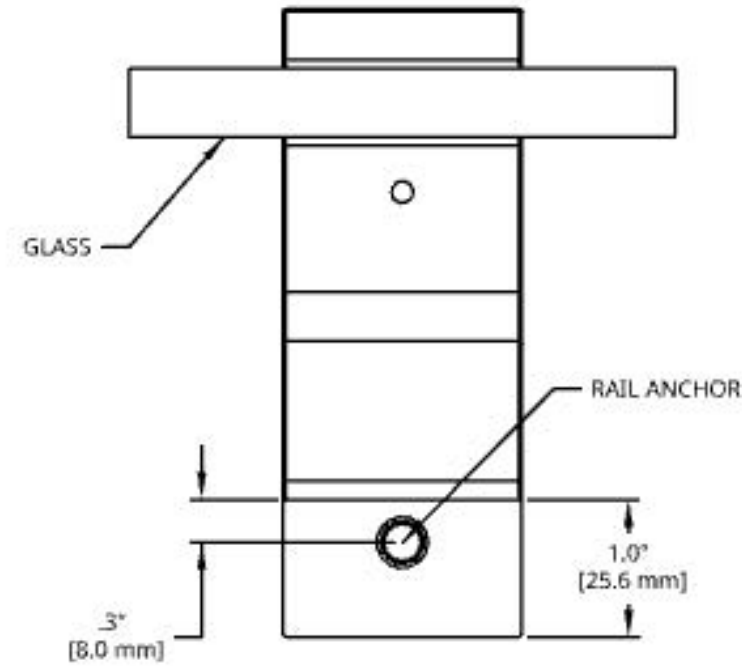
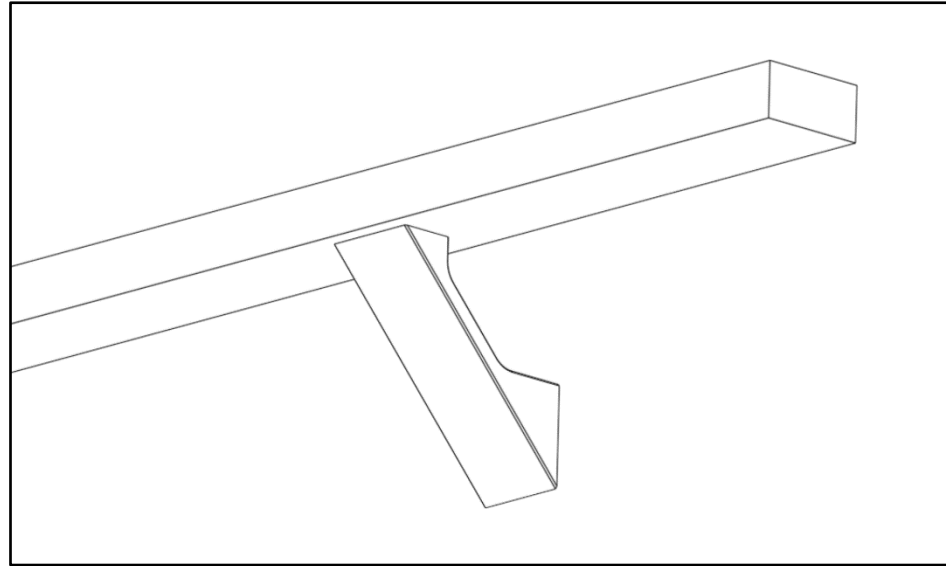


COMPONANCE

VS SERIES

Installation Instructions



NOTES:

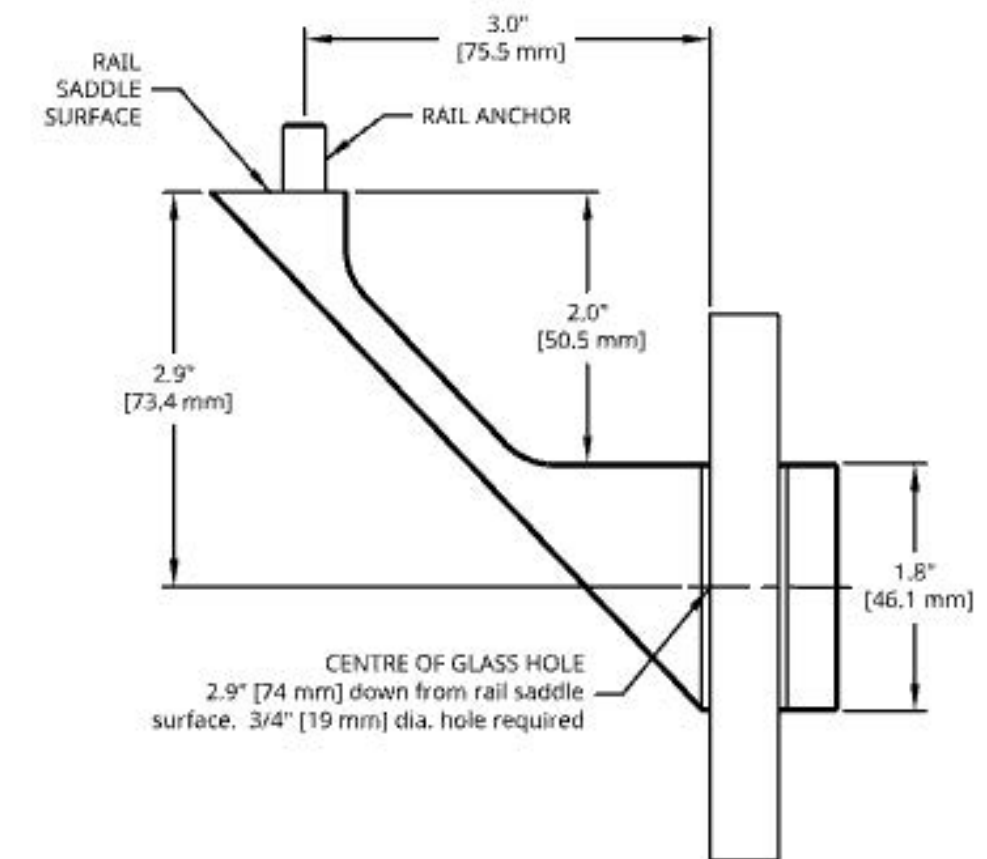
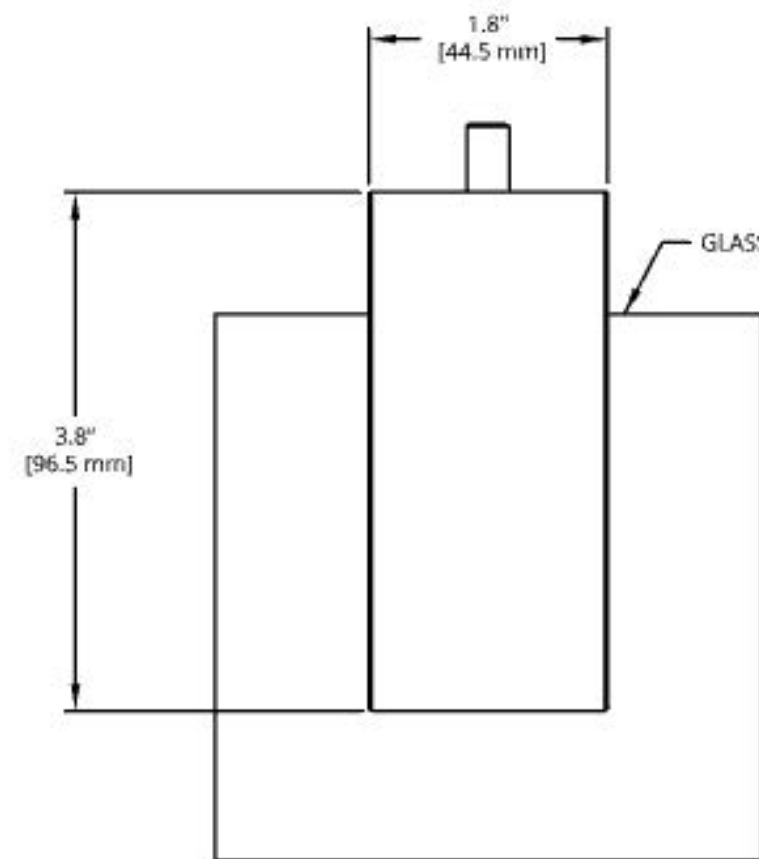
- Product specification: VS-GLASS-(colour)
- 3/4" [19mm] dia. hole in glazing required
- Center of glass hole 2.9" [74 mm] down from rail saddle surface
- Glass thickness should be specified when ordering
- Maximum spacing distance 48" o.c. [1220 mm]
- Rail must be flat where it comes in contact with the bracket
- Dimension precision .1
- www.componance.com / info@componance.com

PRECISION INSTALLATION REQUIRED

All Componance Handrail Brackets have been specifically designed to be as beautiful as possible without sacrificing strength. With that being said, it is imperative that these instructions are strictly adhered to to ensure a smooth and accurate installation experience. Failure to use precision tools to mark and drill mounting holes may cause misalignment for final handrail mounting onto brackets. Use the tried and true "Measure twice drill once" philosophy.

ORDER OF OPERATIONS OVERVIEW

1. Insert & secure glazing anchor in bracket with set screws and gasket
2. Fasten bracket to glass panel with gasket, cleat and cleat cap
3. Mark and install **ONLY** one Rail Anchor into handrail.
4. Temporarily mount rail onto first bracket to mark all other Rail Anchor locations.
5. Precisely mark all Rail Anchor locations & predrill holes in handrail.
6. Install Threaded Wood Inserts and Rail Anchors onto Handrail.
7. Install handrail onto brackets.



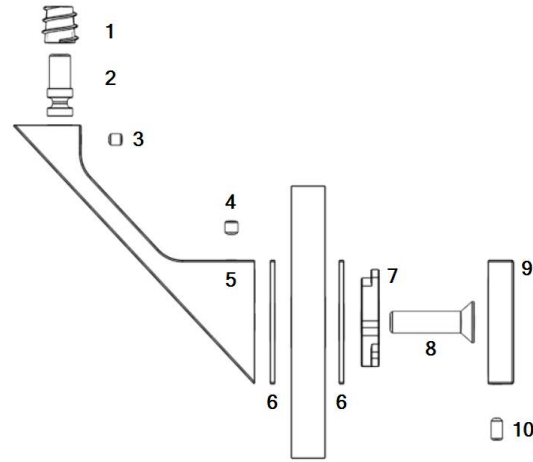
Tools Required

- 3/8 Drill Bit (Brad Point or Forstner bit recommended)
- 7/16 Drill Bit (Brad Point or Forstner bit recommended)
- Hole Punch
- Drill
- Level
- Small Square
- Tape Measure
- Laser Level (Optional)

Note: As we have taken the steps to ensure that the correct qty of parts have been shipped with your order, it is the receiver's responsibility to ensure all parts are kept together and in a safe place ready for installation. There is a limit of **14 days** from the delivery date to contact us for any discrepancies with your order.

Included parts (Per VR Series Glass-Mounted Bracket)

1. 1 x Threaded Wood Insert
 1. 1 x Rail Anchor
 1. 2 x 8-32 3/16" Set Screw
 1. 1 x 10-32 3/16" Set Screw
 1. 1 x VS Bracket
 1. 2 x Neoprene Gaskets
 1. 1 x Glazing Cleat
 1. 1 x 5/16" UNC 1-1/4" FHCS
 1. 1 x Cleat Cap
 1. 1 x G8-32-5/16" Set Screw
 1. *5/64" Allen Wrench
 1. *3/32" Allen Wrench
 1. *5/16" Allen Wrench
- *(Not Shown)



1. Remove adhesive cover on (one side only - Figure 1) half of the gaskets and apply sticky side to the back of the bracket (#5). Be sure to orient the gasket so that all the edges align.
2. Attach bracket to glass. Using the second gasket, glazing cleat (#7) and 5/16" FHCS (#8), secure the assembly in place. Ensure that gaskets are aligned. Do not overtighten as some adjusting may be necessary.
3. Screw (#4) set screw into place, flush with surface.

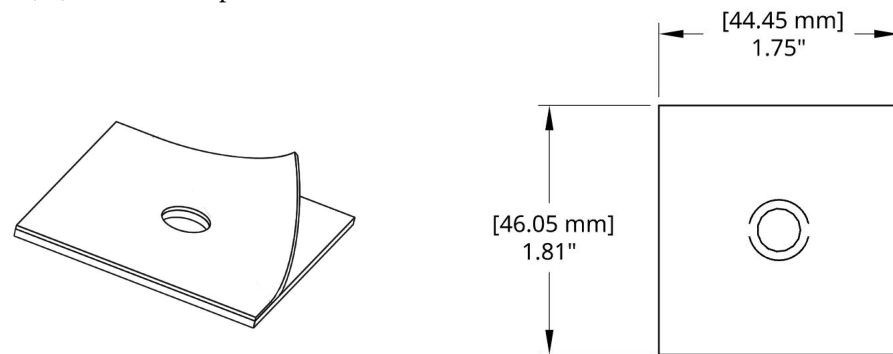


Figure 1

Bracket Installation: Once all brackets are attached onto the glass, use a plumb line or laser level to ensure the top of all brackets are level. Some adjusting to the brackets may be necessary. Gently loosen the 5/16" FHSC and adjust accordingly. Once all brackets are aligned and level firmly tighten the 5/16" FHCS. A temporary leveling line can be marked or snapped on the glass to align the tops or bottoms of the brackets.

Marking The First Rail Anchor Location: *CRITICAL STEP* Now that all the Brackets are mounted to the wall surface, it's time to precisely mark the pilot hole locations for the rest of the Threaded Wood Inserts used to install the Rail Anchors. First step is to locate and mark the first Rail Anchor position at one end of the Handrail being installed which will assist in locating all the other Rail Anchor positions on the handrail.

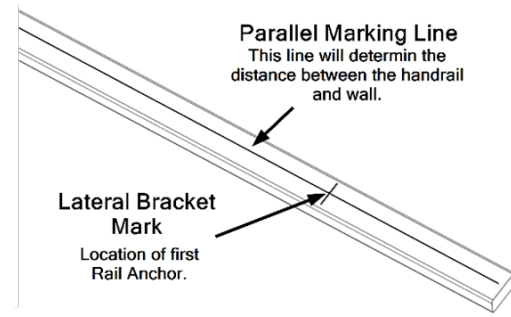


Figure 2

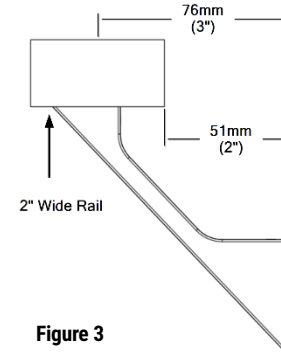


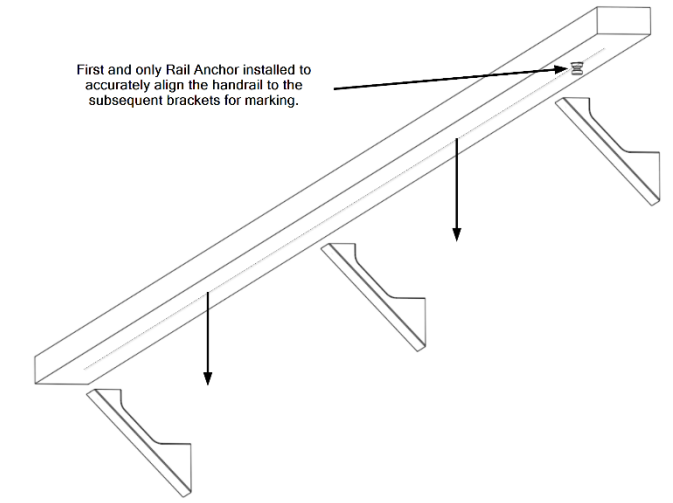
Figure 3

Using a sharp pencil to lightly mark a line down the length of the bottom of the handrail to represent where the rail is going to be mounted onto the brackets. (Figure 2) Ensure adherence to local building codes in respect to finger spacing between the handrail and wall surface. (Figure 3). We recommend that a "Center Punch Marking Gauge" is used to create a depressed mark that will assist in guiding the drill bit in the next step.

Threaded Wood Insert & Rail Anchors Installation:

1. Once the first Rail Anchor position is marked, drill a properly aligned 7/16" (11mm) pilot hole to minimum depth of 1/2" (13mm). Clearing burrs around the hole with help during final assembly.
2. Using the supplied 5/16" (8mm) Allen Wrench, install a Threaded Wood Insert into the Pilot hole. When installed, the Threaded Wood Insert should be flush to the surface. Use the long end of the Allen Wrench to force the Threaded Wood Insert into proper orientation if required.
3. Screw in a Rail Anchor. Hand tight is sufficient. Do not use pliers as they may mar the Rail Anchor.

Marking Remaining Rail Anchor Pilot Holes: With the first Rail Anchor installed. Place the handrail onto the brackets by mounting the single installed Rail Anchor into the first Bracket. If installing in a stairwell we recommend using the upper most bracket so to allow gravity to assist in the alignment of the rail onto the other brackets. Rotate each bracket to the correct orientation so that the rail sits flat against the top of each bracket. **Let the marking begin!**



With the Handrail in place, choose a side of each bracket and mark where each of the brackets meet the handrail with a sharp pencil to ensure an accurate line. (Figure 4) Be consistent with the side chosen. Remove the handrail, place upside down and remembering which side of the brackets were marked. Measure 7/8" (22mm) from each mark in the direction the bracket is being mounted with a square. (Figure 5) The point where these two lines converge represents the center of each bracket and the location for each pilot hole to be drilled. Repeat steps 1 -3 in the above (Threaded Wood Insert & Rail Anchors Installation)

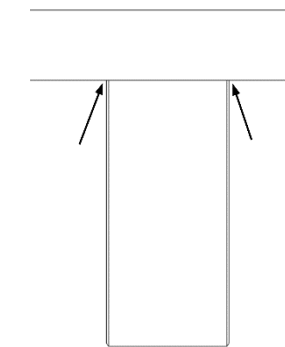


Figure 4

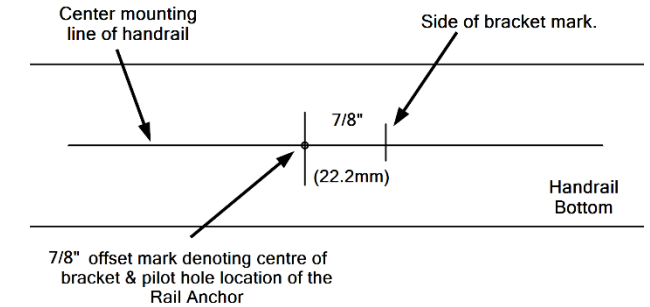
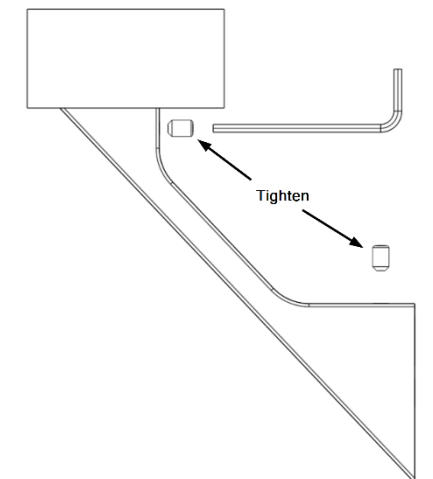


Figure 5

Final Handrail Installation: Install the inserts and the Rail Anchors via the previous **Threaded Wood Insert & Rail Anchors Installation** instructions. Screw the supplied 8-32 3/16" Set Screw partially into the upper portion of the bracket to aid in final insertion of the set screw. Place the handrail with the installed Rail Anchors atop the brackets ensuring there are no obstructions between the brackets and handrail, tighten both the upper and lower set screws down and finally test the rail at each bracket connection



If further support is required, please call
+1.604.771.5128 between 9am - 5pm PST