



COMPONANCE  
ARCHITECTURAL HARDWARE

# VR SERIES: BLACK

## WALL MOUNTED HANDRAIL BRACKET



### SPEC

### VR-WALL-BLK

Application	Wall Mounted
Material	304 Stainless Steel
Finish	Powder Coated
Colour	Black
Use	Interior & Exterior
Projection	2.7" / 69mm
Spacing	36"-48" o.c. / 914-1220mm
Hardware	Included

### NOTES

Use with rail with flat bottom. Minimum 1-1/2" solid backing required. Can be installed on existing drywall. All hardware included.

VR Series, designed and manufactured by componance. For technical information, CAD drawings or related materials, please visit: [www.componance.com](http://www.componance.com) or contact an authorized componance dealer. All information subject to change. Line drawings are not plotted to scale, for scaled drawings please inquire or download the drawings in CAD format.

[componance.com](http://componance.com)  
[info@componance.com](mailto:info@componance.com)  
 +1.604.771.5128

# VR SERIES: WHITE

## WALL MOUNTED HANDRAIL BRACKET



### SPEC

### VR-WALL-WHT

Application	Wall Mounted
Material	304 Stainless Steel
Finish	Powder Coated
Colour	White
Use	Interior & Exterior
Projection	2.7" / 69mm
Spacing	36"-48" o.c. / 914-1220mm
Hardware	Included

### NOTES

Use with rail with flat bottom. Minimum 1-1/2" solid backing required. Can be installed on existing drywall. All hardware included.

VR Series, designed and manufactured by componance. For technical information, CAD drawings or related materials, please visit: [www.componance.com](http://www.componance.com) or contact an authorized componance dealer. All information subject to change. Line drawings are not plotted to scale, for scaled drawings please inquire or download the drawings in CAD format.

[componance.com](http://componance.com)  
[info@componance.com](mailto:info@componance.com)  
 +1.604.771.5128

# VR SERIES: BRUSHED STAINLESS

## WALL MOUNTED HANDRAIL BRACKET



SPEC	VR-WALL-SS
Application	Wall Mounted
Material	304 Stainless Steel
Finish	Brushed
Colour	Silver
Use	Interior & Exterior
Projection	2.7" / 69mm
Spacing	36"-48" o.c. / 914-1220mm
Hardware	Included

### NOTES

Use with rail with flat bottom. Minimum 1-1/2" solid backing required. Can be installed on existing drywall. All hardware included.

VR Series, designed and manufactured by componance. For technical information, CAD drawings or related materials, please visit: [www.componance.com](http://www.componance.com) or contact an authorized componance dealer. All information subject to change. Line drawings are not plotted to scale, for scaled drawings please inquire or download the drawings in CAD format.

[componance.com](http://componance.com)  
[info@componance.com](mailto:info@componance.com)  
 +1.604.771.5128

NOTES

Specification: VR-WALL-(COLOUR)

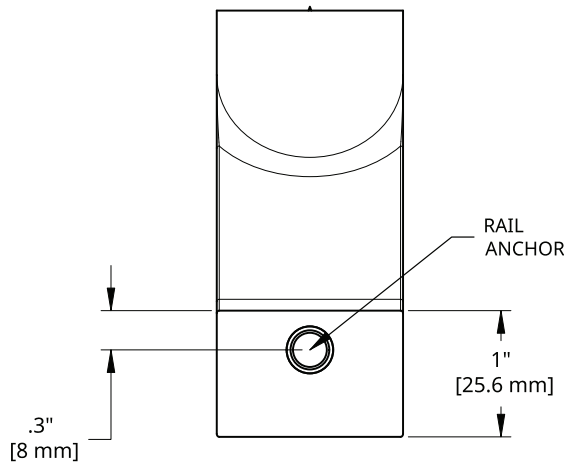
Minimum 1-1/2" / 38mm of solid backing, wood stud or concrete required for anchoring.

Can be installed on top of existing drywall.

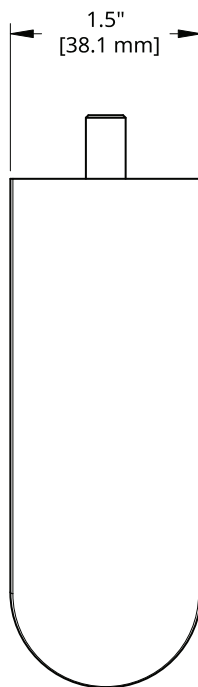
Rail must be flat on the bottom where it comes in contact with the bracket. 1.5" W x 1" D / 39mm x 26mm min.

Can be used with solid metal and wood rails. For hollow metal rails, please inquire.

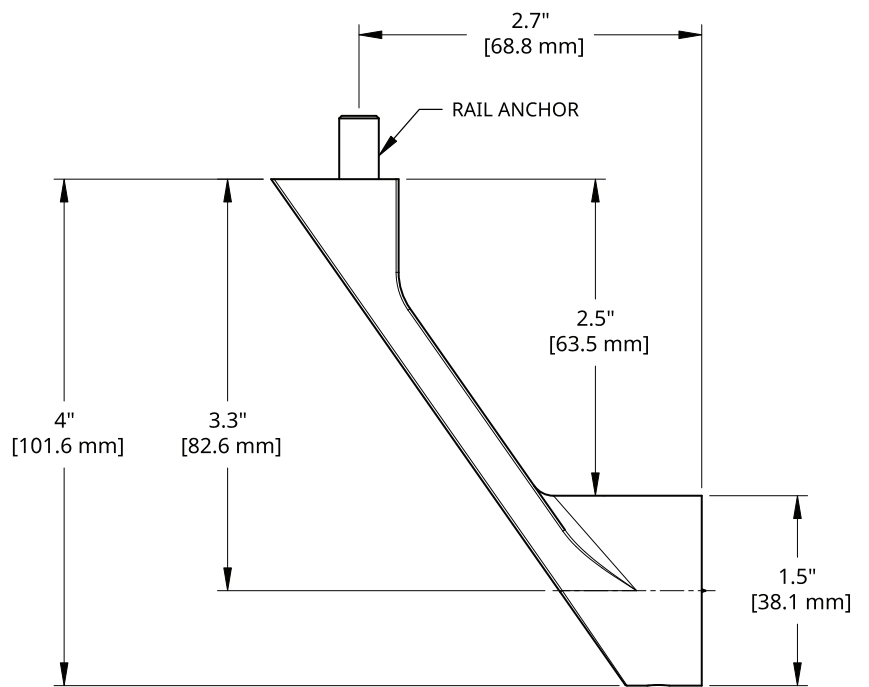
For technical installation, product specs, maintenance and more specific questions, please contact [info@componance](mailto:info@componance) or call +1.604.771.5128



TOP VIEW



FRONT VIEW



SIDE VIEW

VR Series, designed and manufactured by componance. For technical information, CAD drawings or related materials, please visit: [www.componance.com](http://www.componance.com) or contact an authorized componance dealer. All information subject to change. Line drawings are not plotted to scale, for scaled drawings please inquire or download the drawings in CAD format.

[componance.com](http://componance.com)  
[info@componance.com](mailto:info@componance.com)  
 +1.604.771.5128