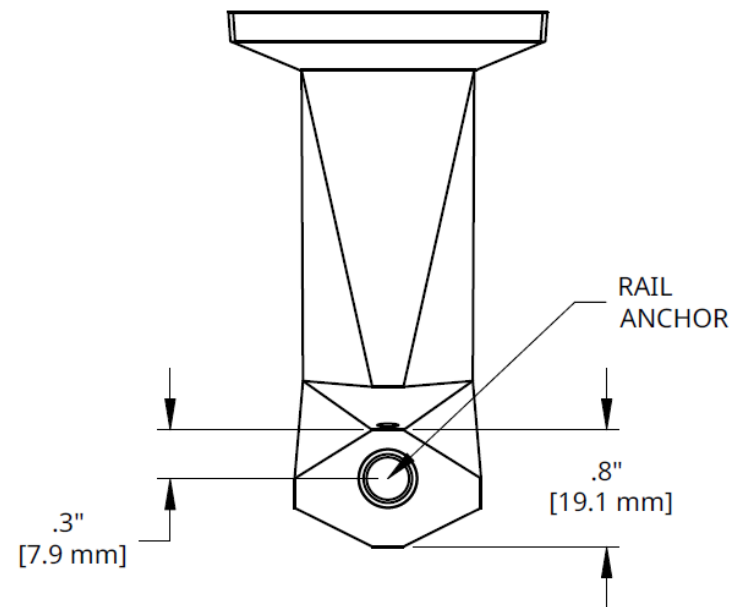
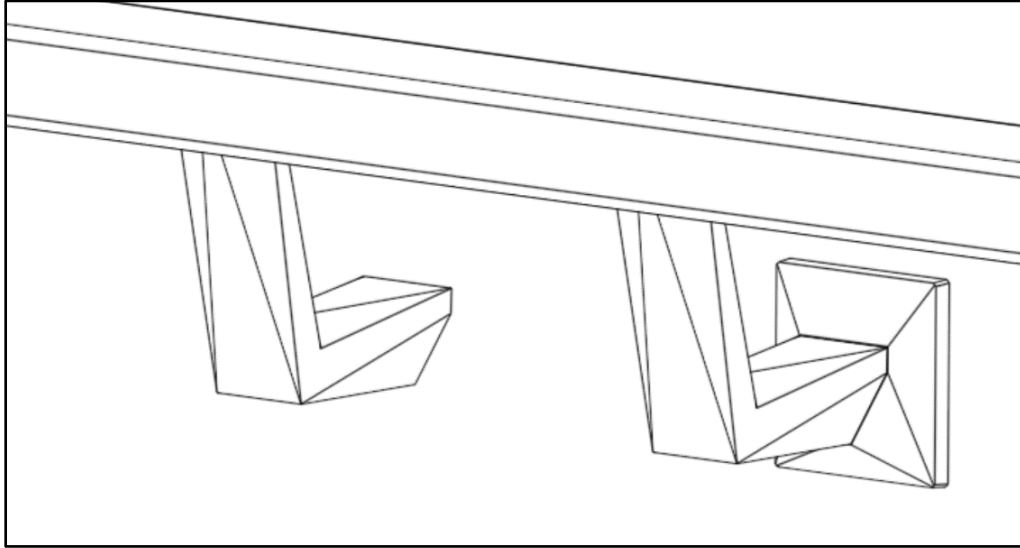


COMPONANCE

DA WALL SERIES

Installation Instructions



NOTES:

- Product specification: DA-WALL-ESC-[colour]
- Minimum 1-1/2" [38 mm] solid backing required for wall anchoring
- Rail must be flat where it comes in contact with the bracket
- Centre of wall anchor 2.3" [58 mm] down from rail saddle surface
- Maximum spacing distance 48" o.c. [1220 mm]
- Dimension precision .1
- www.componance.com / info@componance.com

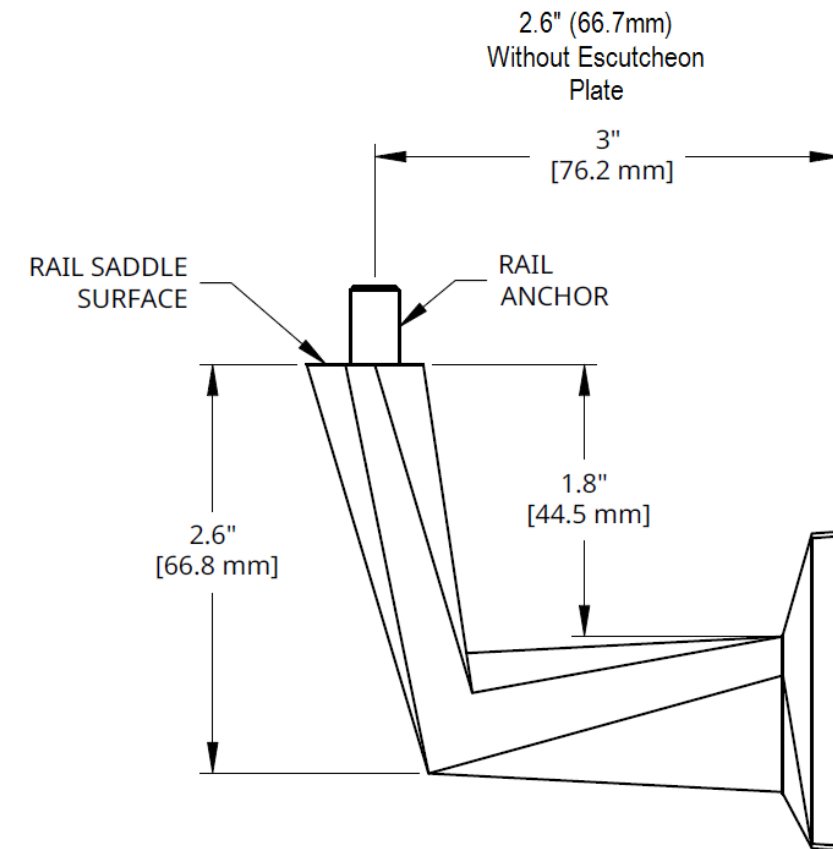
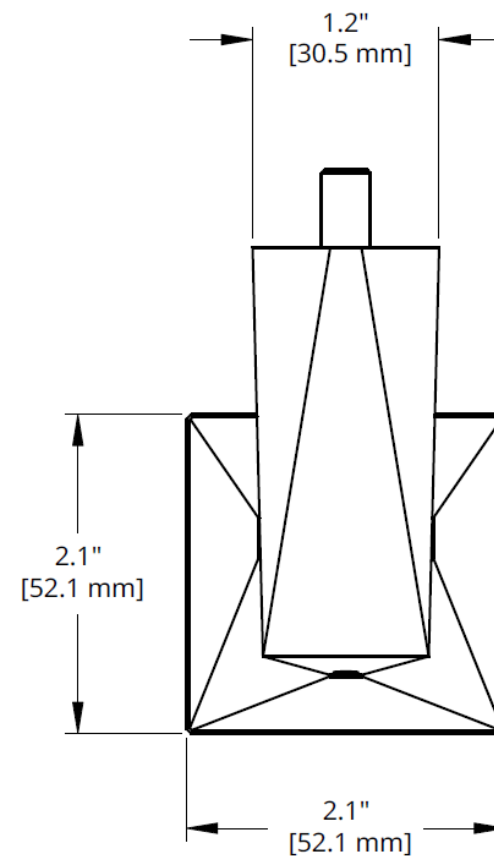
PLEASE READ!

PRECISION INSTALLATION REQUIRED

All Componance Handrail Brackets have been specifically designed to be as beautiful as possible without sacrificing strength. This being said, it is imperative that these instructions are strictly adhered to, to ensure a smooth and accurate installation experience. Failure to use precision tools to mark and drill mounting holes may cause misalignment for final handrail mounting onto brackets. Use the tried and true "Measure twice drill once" philosophy.

ORDER OF OPERATIONS OVERVIEW

1. Mark out Wall Anchor locations.
2. Install Wall Anchors & Brackets.
3. Mark and install **ONLY** one Rail Anchor into handrail.
4. Temporarily mount rail onto first bracket to mark all other Rail Anchor locations.
5. Precisely mark all Rail Anchor locations & predrill holes in handrail.
6. Install Threaded Wood Inserts and Rail Anchors onto Handrail.
7. Install handrail onto brackets.



CENTRE OF WALL ANCHOR
2.3" [58 mm] down from
rail saddle surface

Tools Required

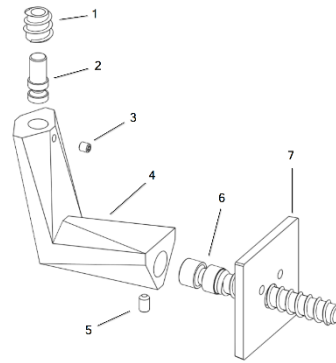
- 3/8 Drill Bit (Brad Point or Forstner bit recommended)
- 7/16 Drill Bit (Brad Point or Forstner bit recommended)
- Hole Punch
- Drill
- Level
- Small Square
- Tape Measure
- Laser Level
- Stud Finder

Note: As we have taken the steps to ensure that the correct qty of parts have been shipped with your order, it is the receiver's responsibility to ensure all parts are kept together and in a safe place ready for installation. There is a limit of 14 days from the delivery date to contact us for any discrepancies with your order.

Included parts (Per DA Series bracket)

1. 1 x Threaded Wood Insert
2. 1 x Rail Anchor
3. 1 x 8-32 1/4" Set Screw
4. 1 x DA Bracket
5. 1 x 10-32 1/4" Set Screw
6. Wall Anchor
7. Escutcheon Plate (Optional)
8. *5/64" Allen Wrench
9. *3/32" Allen Wrench
10. *5/16" Allen Wrench

*(Not Shown)



Wall Anchor Installation: The Wall Anchor may be installed into wood, stone, concrete, or brick. As building codes vary in municipalities regarding the requirement of wall backing, please ensure adherence to your local municipal building codes and regulations. Although most applications, the use of an additional adhesive will not be required for normal installation, we do advise the addition of a PL construction adhesive be applied to the threads and pilot hole in circumstances where the Wall Anchor is being installed into concrete, stone, brick or cinderblock. The creation of pilot holes in these materials can sometimes lead to inconsistent pilot hole size.

1. Locate Wall Anchor mounting locations. Try to ensure proper alignment of pre-drill markings via a laser level or string under tension. It is recommended that a "Center Punch Marking Gauge" is used to make a final mark that will assist in guiding the drill bit.
2. Precisely drill a properly aligned 3/8" (10mm) pilot hole to minimum depth of 2-1/2" (63mm). If adding adhesive, your pilot hole should be deeper to allow for room for excess glue.
3. Using the supplied 5/16" (8mm) Allen Wrench to install the Wall Anchor up to the collar. **(Figure 1)** Continued...

The collar represents the rear face of the bracket. The Wall Anchor may be adjusted shallower to compensate for an uneven surface but not past the collar into the surface that the bracket is being installed onto (eg). **(If the Wall Anchor is not fully seated into the Bracket, the set screw locking both together can't be installed)**

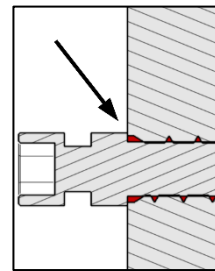


Figure 1

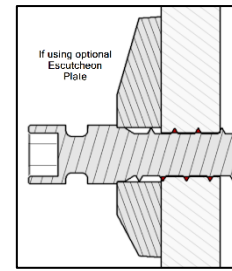
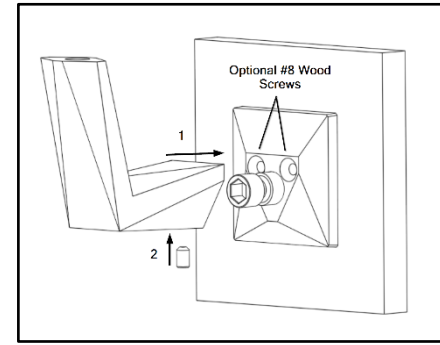


Figure 1.1

If using a Escutcheon Plate, place wall anchor through the Escutcheon Plate and tighten to wall. Collar on Wall Anchor will pin the Escutcheon Plate to the surface. **(Figure 1.1)**

Bracket Installation: Screw the supplied 10-32 1/2" Set Screw partially into the bottom of the bracket to aid in the installation of the Bracket onto the Wall Anchor. Slide the bracket onto the Wall Anchor and partially tighten the Set Screw so that the bracket cannot pull off the anchor but still allows for the bracket to rotate in place, which will aid in the marking of the Rail Anchors onto the Hand Rail. Once the brackets are set into their correct position and the handrail securely fastened into place, tighten the set screw. **Safety Note:** The Set Screw must not sit proud of the surface of the bracket but at least flush. Following this important step will ensure the Set Screw is correctly seated in the channel of the Wall Anchor and thus ensuring the Bracket is seated correctly onto the Wall Anchor. If the Set Screw will not sit at least flush to the Bracket Surface, this is an indication the Wall Anchor may have been screwed into the wall surface too far. (See "Wall Anchor Installation" to remedy)



Marking The First Rail Anchor Location: *CRITICAL STEP* Now that all the Brackets are mounted to the wall surface, it's time to precisely mark the pilot hole locations for the rest of the Threaded Wood Inserts used to install the Rail Anchors. First step is to locate and mark the first Rail Anchor position at one end of the Handrail being installed which will assist in locating all the other Rail Anchor positions on the handrail.

Using a sharp pencil to lightly mark a line down the length of the bottom of the handrail to represent where the rail is going to be mounted onto the brackets. **(Figure 2)** Ensure adherence to local building codes in respect to finger spacing between the handrail and wall surface. **(Figure 3)**. We recommended that a "Center Punch Marking Gauge" is used to create a depressed mark that will assist in guiding the drill bit in the next step.

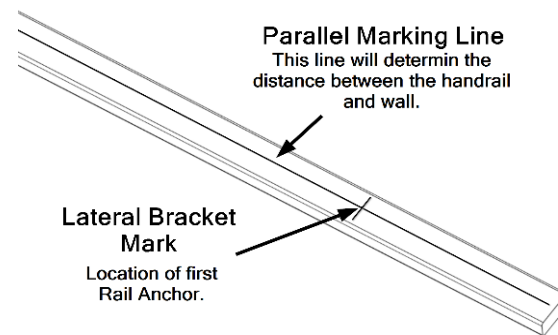


Figure 2

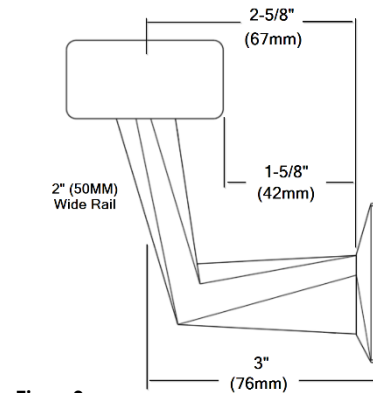
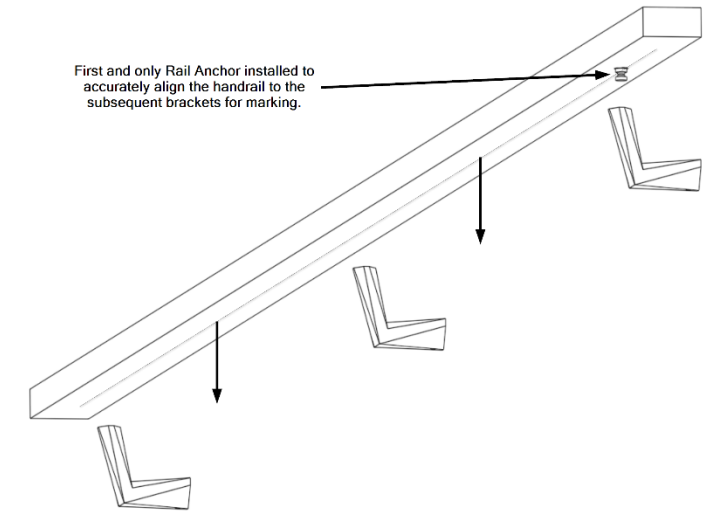


Figure 3

Threaded Wood Insert & Rail Anchors Installation:

1. Once the first Rail Anchor position is marked, drill a properly aligned 7/16" (11mm) pilot hole to minimum depth of 1/2" (13mm). Clearing burrs around the hole with help during final assembly.
2. Using the supplied 5/16" (8mm) Allen Wrench, install a Threaded Wood Insert into the Pilot hole. When installed, the Threaded Wood Insert should be flush to the surface. Use the long end of the Allen Wrench to force the Threaded Wood Insert into proper orientation if required.
3. Screw in a Rail Anchor. Hand tight is sufficient. Do not use pliers as they may mar the Rail Anchor.

Marking Remaining Rail Anchor Pilot Holes: With the first Rail Anchor installed. Place the handrail onto the brackets by mounting the single installed Rail Anchor into the first Bracket. If installing in a stairwell we recommend using the upper most bracket so to allow gravity to assist in the alignment of the rail onto the other brackets. Rotate each bracket to the correct orientation so that the rail sits flat against the top of each bracket. **Let the marking begin!**



With the Handrail in place, choose a side of each bracket and mark where each of the brackets meet the handrail with a sharp pencil to ensure an accurate line. **(Figure 4)** Be consistent with the side chosen. Remove the handrail, place upside down and remembering which side of the brackets were marked. Measure 3/4" (19mm) from each mark in the direction the bracket is being mounted with a square. **(Figure 5)** The point where these two lines converge represents the center of each bracket and the location for each pilot hole to be drilled. Repeat steps 1 -3 in the above **(Threaded Wood Insert & Rail Anchors Installation)**

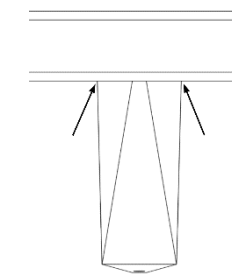


Figure 4

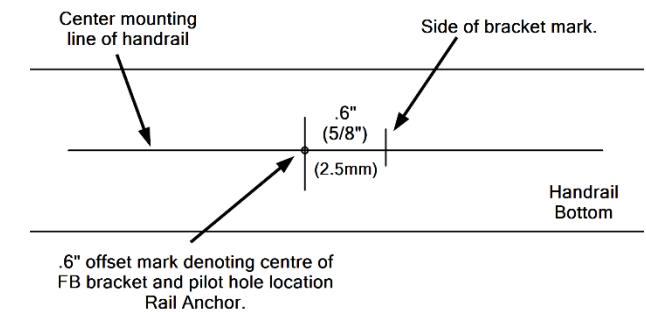
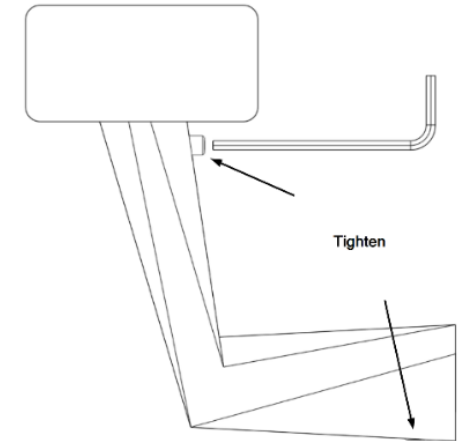


Figure 5

Final Handrail Installation: Install the inserts and the Rail Anchors via the previous **Threaded Wood Insert & Rail Anchors Installation** instructions. It's recommended to screw the supplied 8-32 1/4" Set Screw partially into the upper portion of the bracket to aid in final insertion of the set screw. Place the handrail with the installed Rail Anchors atop the brackets ensuring there are no obstructions between the brackets and handrail, tighten both the upper and lower set screws down and finally test each connection.



If further support is required, please call
+1.604.771.5128 between 9am - 5pm
PST